

8p8c 2 Part FTP Plug for XXL Cables



8p8c FTP plug (PGSXL)

High performance shielded connector suitable for termination of extra large outer diameter cables for Category 6 and Category 6A

Features

- Designed for Category 6 and 6A performance
- Able to accommodate Category 6A and 7 cable with overall cable O.D. up to 8mm
- Suitable for inner cores up to 1.5mm O.D.
- 3 prong contacts for solid and stranded cable
- 2 part plug
- Shielded
- No soldering required
- Suitable with TUK's specialist crimp tool T2079
http://www.tuk.co.uk/tuk_live/product_details.php?category_id=3&pid=288

Specifications

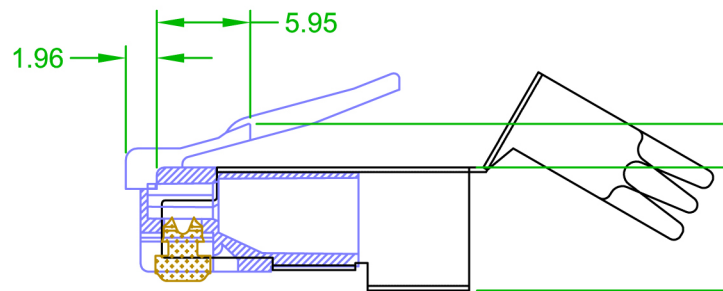
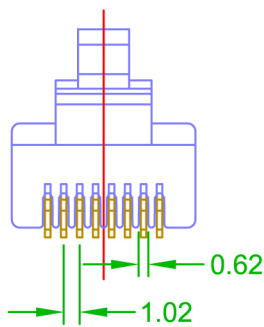
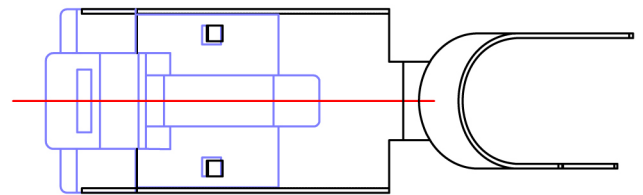
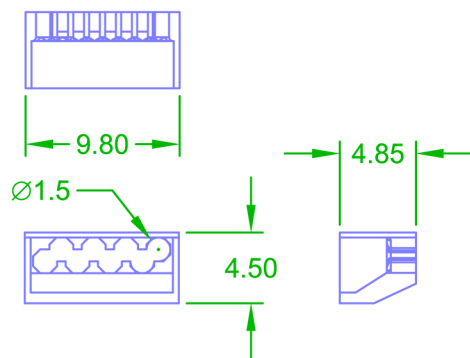
- Housing colour: Transparent
- Material:
 - Housing: Polycarbonate UL 94V-0
 - Contact: 50µ"/1.27µm gold plated phosphor bronze
 - Shell: Brass



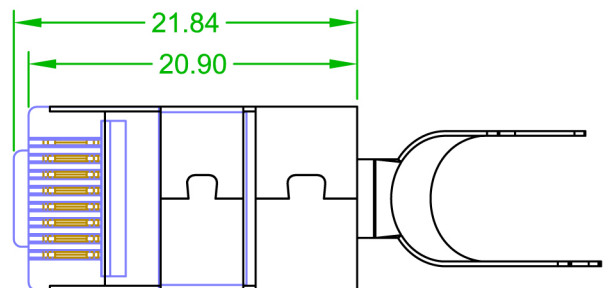
PS2CLR8

Transparent PVC Strain Relief Boot
designed for use with PGSXL

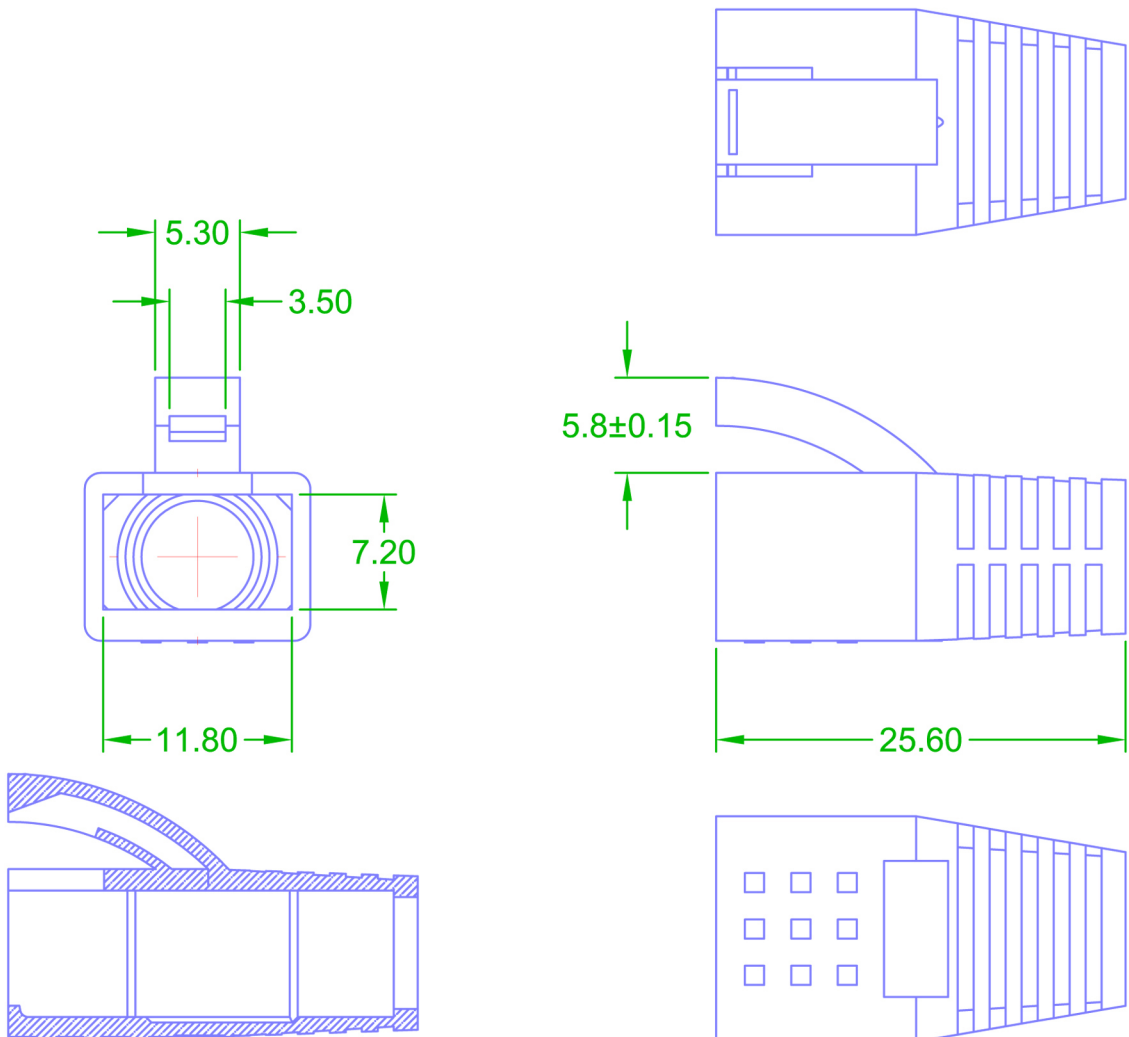
ROHS Compliant



1. Housing Material: Polycarbonate UL 94V-0
2. Material Contact: Phosphor bronze
3. Gold Plating: $50\mu''/1.27\mu\text{m}$
4. Housing Colour: Transparent
5. Material Shell: Brass
6. Operating Temperature: -40°C to 70°C
7. 3 prong contact blade for solid or stranded
8. For inner cores up to 1.5mm O.D.
9. For overall cable O.D. up to 8mm



ROHS Compliant



X-ON Electronics

Largest Supplier of Electrical and Electronic Components

Click to view similar products for [Tuk](#) manufacturer:

Other Similar products are found below :

[ADQ88](#) [KOLSMDX](#) [PXCAT6S8XL2](#) [SKH1](#) [PXSPDY6#100](#) [PSPDY5#100](#) [PXSPDY6#10](#) [SP5RD](#) [FTT](#) [SKFBKDPM](#) [SACK3S-24](#)
[OT45BK](#) [SKFYW](#) [PSDL-6#20](#) [WJOL](#) [FJP2](#) [KH4](#) [KRCAWHBKDPM](#) [SPDL5BK](#) [TRCSPDY3](#) [PSDL-5#100](#) [SKFGN](#) [SP3RD](#) [SLJBKDPM](#)
[SEKEIPM](#) [FJKPT](#) [KCUAA2BKDPM](#) [SP5GN](#) [MGOP6](#) [TPOET](#) [PXSPDY5#10](#) [WJSG](#) [SILWH](#) [SP3YW](#) [SACK2WHPM](#) [T2079](#)
[FACK2BKDPM](#) [KOCSMDPM](#) [SP5YW](#) [SGPZ10BK](#) [ADF](#) [SEKEI-45WH](#) [TRCSPDYBP](#) [SP5GYB](#) [SKH4](#) [SGKH2](#) [SKFWHPM](#) [KOCSM](#)
[SKH2](#) [SP10RD](#)