


MCOB21605B1V-EGP	2 x 16	Euro/Jap/Cyrillic	OLED Module
<b>Specification</b>			
Version: 1	Date: 16/05/2017		
<b>Revision</b>			

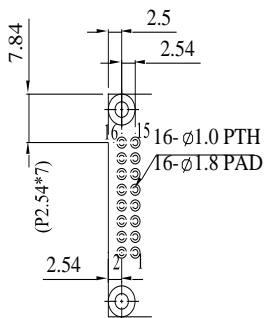
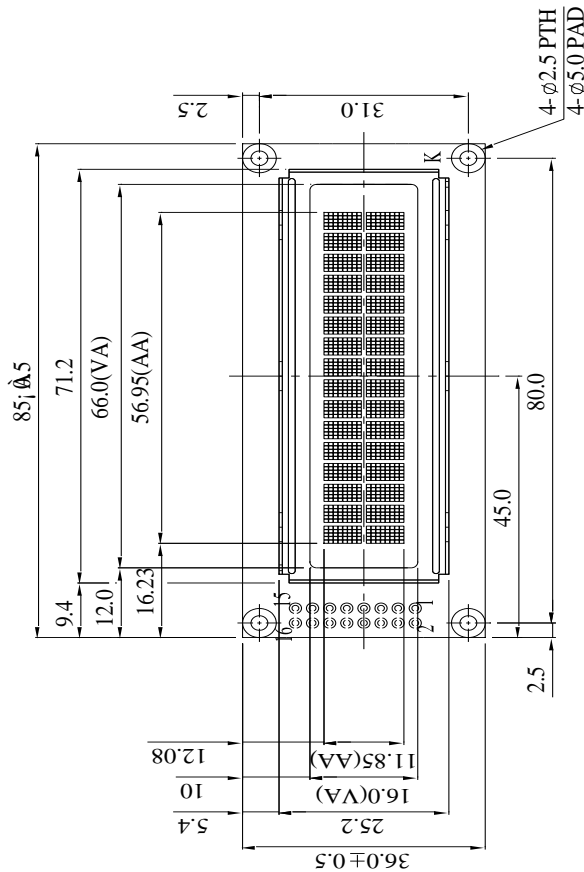
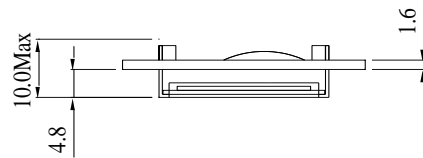
Display Features					
Character Count	2 x 16			Box Quantity	Weight / Display
Appearance	Green on Black				
Logic Voltage	5V				
Interface	Parallel				
Font Set	English / European / Cyrillic				
Character Height	5.55 mm				
Module Size	85.00 x 36.00 x 10.00 mm				
Operating Temperature	-40°C ~ +80°C				
Construction	COB				
		---	---		

Display Accessories	
Part Number	Description
MCCMDB-16DIL	LCD Interconnect board, can be driven from either a PC or a single Board computer with a USB output.
MCCBL1A16DILP-DILS-150	16 Way, Dual in-line to Dual in-line connector cable.

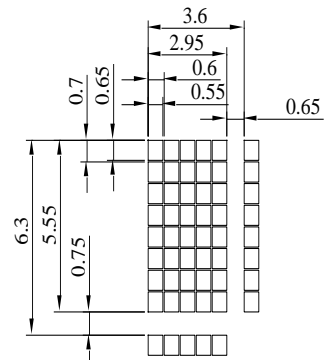
Optional Variants	
Appearance	Voltage
Red on Black	
White on Black	
Blue on Black	

## Mechanical Specifications

Module Size	85.00 x 36.00 x 10.00 ( With Backlight)				W x H x D mm
Viewing Area	66.00 x 16.00	W x H mm	Hole-to-Hole	80.00 x 31.00	W x H mm
Character Size	2.95 x 5.55	W x H mm	Character Pitch	3.60 x 6.30	W x H mm
Dot Size	0.55 x 0.65	W x H mm	Dot Pitch	0.60 x 0.70	W x H mm

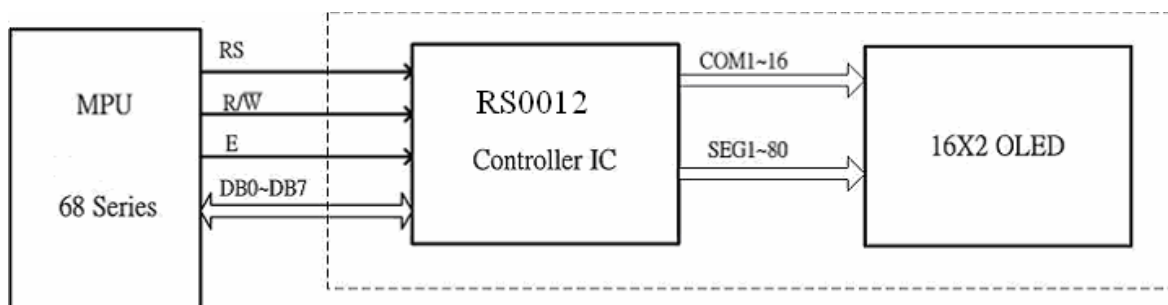


The non-specified tolerance of dimension is  $\pm 0.3$  mm .



MCOB21605B1V-EGP	2 x 16	Euro/Jap/Cyrillic	OLED Module
<b>Specification</b>			
Version: 1		Date: 16/05/2017	
<b>Revision</b>			

Pin layout			
Pin	Symbol	Description	Remarks
1	VSS	Ground	
2	VDD	Supply Voltage for Logic	5V
3	NC	No Connection	
4	RS	H: Data L: Instruction Code	H/L
5	R/W	H: Read(MPU-->Module) L: Write(MPU-->Module)	H/L
6	E	Chip Enable Signal	H, H -->L
7	DB0	Data Bus Line	H/L
8	DB1	Data Bus Line	H/L
9	DB2	Data Bus Line	H/L
10	DB3	Data Bus Line	H/L
11	DB4	Data Bus Line	H/L
12	DB5	Data Bus Line	H/L
13	DB6	Data Bus Line	H/L
14	DB7	Data Bus Line	H/L
15	NC	No Connection	
16	NC	No Connection	



Address Format	DB7	DB6	DB5	DB4	DB3	DB2	DB1	DB0
CA (Character Address)	1	ADD6	ADD5	ADD4	ADD3	ADD2	ADD1	ADD0

1	2	3	4	.....	.....	13	14	15	16
CA1000000	CA1000001	CA1000010	CA1000011	.....	.....	CA1000100	CA1000101	CA1000110	CA1000111
CA1100000	CA1100001	CA1100010	CA1100011	.....	.....	CA1100100	CA1100101	CA1100110	CA1100111

MCOB21605B1V-EGP	2 x 16	Euro/Jap/Cyrillic	OLED Module
<b>Specification</b>			
Version: 1		Date: 16/05/2017	
<b>Revision</b>			

# Font Map

Upper 4bit Lower 4bit	LLLL	LLLH	LLHL	LLHH	LHLL	LHLH	LHHL	LHHH	HLLL	HLLH	HLHL	HLHH	HHLL	HHLH	HHHL	HHHH
LLLL	CG RAM (1)															
LLLH	(2)															
LLHL	(3)															
LLHH	(4)															
LHLL	(5)															
LHLH	(6)															
LHHL	(7)															
LHHH	(8)															
HLLL	(1)															
HLLH	(2)															
HLHL	(3)															
HLHH	(4)															
HHLL	(5)															
HHLH	(6)															
HHHL	(7)															
HHHH	(8)															

MCOB21605B1V-EGP	2 x 16	Euro/Jap/Cyrillic	OLED Module
<b>Specification</b>			
Version: 1		Date: 16/05/2017	
<b>Revision</b>			

Upper 4bit Lower 4bit	LLLL	LLHH	LLHL	LLHH	LHLL	LHLH	LHHL	LHHH	HLLL	HLLH	HLHL	HLHH	HHLL	HHLH	HHHL	HHHH
LLLL	CG RAM (1)															
LLHH	(2)															
LLHL	(3)															
LLHH	(4)															
LHLL	(5)															
LHLH	(6)															
LHHL	(7)															
LHHH	(8)															
HLLL	(1)															
HLLH	(2)															
HLHL	(3)															
HLHH	(4)															
HHLL	(5)															
HHLH	(6)															
HHHL	(7)															
HHHH	(8)															

MCOB21605B1V-EGP	2 x 16	Euro/Jap/Cyrillic	OLED Module
<b>Specification</b>			
Version: 1		Date: 16/05/2017	
<b>Revision</b>			

Upper 4bit Lower 4bit	LLLL	LLLH	LLHL	LLHH	LHLL	LHLH	LHHL	LHHH	HLLL	HLLH	HLHL	HLHH	HHLL	HHLH	HHHL	HHHH
LLLL	CG RAM (1)															
LLLH	(2)															
LLHL	(3)															
LLHH	(4)															
LHLL	(5)															
LHLH	(6)															
LHHL	(7)															
LHHH	(8)															
HLLL	(1)															
HLLH	(2)															
HLHL	(3)															
HLHH	(4)															
HHLL	(5)															
HHLH	(6)															
HHHL	(7)															
HHHH	(8)															

MCOB21605B1V-EGP	2 x 16	Euro/Jap/Cyrillic	OLED Module
Version: 1		Date: 16/05/2017	
<b>Specification</b>			
<b>Revision</b>			

Absolute Maximums Ratings					
Item	Symbol	Minimum	Typical	Maximum	Unit
Supply Voltage for Logic	V <sub>O</sub>	-0.30	---	5.30	V
Operating Temperature	V <sub>opr</sub>	-40	---	80	°C
Storage Temperature	V <sub>stg</sub>	-40	---	80	°C

Electronic Characteristics						
Item	Symbol	Condition	Minimum	Typical	Maximum	Unit
Input High Voltage	V <sub>IH</sub>	---	0.80	---	V <sub>DD</sub>	V
Input Low Voltage	V <sub>IL</sub>	---	GND	---	0.20	V
Output High Voltage	V <sub>OH</sub>	I <sub>OH</sub> =-0.5mA	0.80	---	V <sub>DD</sub>	V
Output Low Voltage	V <sub>OL</sub>	I <sub>OL</sub> =0.5mA	GND	---	0.20	V
Supply Voltage for Logic	V <sub>DD</sub> -V <sub>SS</sub>	---	4.80	5.00	5.30	V
50% Checkboard Operating Current.	I <sub>DD</sub>	V <sub>DD</sub> =5V	30	35	42	mA

OLED Characteristics						
Item	Symbol	Condition	Minimum	Typical	Maximum	Unit
Viewing Angle	(V)θ	---	160	---	---	Deg
	(H)φ	---	160	---	---	Deg
Contrast Ratio	CR	Dark	2000:1	---	---	---
Response Time	T Rise	---	---	10	---	μs
	T Fall	---	---	10	---	μs
Display with 50% Checkboard Brightness			100	120	---	cd/m <sup>2</sup>
CIE <sub>x</sub> (Green)		(CIE1931)	0.24	0.28	0.32	---
CIE <sub>y</sub> (Green)		(CIE1931)	0.59	0.63	0.67	---

OLED Life Time			
Item	Conditions	Typical	Remark
Operating Life Time	T <sub>a</sub> =25°C. Initial checkboard brightness, 50%.	100,000 Hours	---

MCOB21605B1V-EGP	2 x 16	Euro/Jap/Cyrillic	OLED Module
<b>Specification</b>			
Version: 1		Date: 16/05/2017	
<b>Revision</b>			

## X-ON Electronics

Largest Supplier of Electrical and Electronic Components

*Click to view similar products for [Midas](#) manufacturer:*

Other Similar products are found below :

[MCT070LA12W1024600LML](#) [MCT043C0TW480272LML](#) [MCOB21609AV-EWP](#) [MC42004A6W-SPTLY](#) [MC22008B6W-SPR](#)  
[MC21609A12W-VNMLG](#) [MC22005A12W-VNMLY](#) [MCT035G12W320240LML](#) [MC21605A6WR-BNMLW-V2](#) [MC21605C6W-FPTLA-V2](#)  
[MC21605DA6W-SPTLY-V2](#) [MC21605H6W-BNMLW-V2](#) [MC42005A6W-FPTLW3-V2](#) [MCOT128064QV-WM](#) [MCOT048064A1V-YI](#)  
[MCOT128064E1V-BM](#) [MCOT096016C1V-BI](#) [MCT101E0CW1280800LMLIPS](#) [MCT039C12CW480128LML](#) [MCCOG240064F6W-FPTLW](#)  
[MC240064GD6W-BNMLW](#) [MCT070Z0W800480LML](#) [MCOT128064EY-YM](#) [MCIB-7](#) [MC21605A6WK-FPTLW-V2](#) [MC21605C6W-](#)  
[FPTLW-V2](#) [MC22005A6WK-SPTLY-V2](#) [MC22005A6WR-SPTLY-V2](#) [MC41605A6W-FPTLA-V2](#) [MC42005A6W-BNMLW-V2](#)  
[MC128064E6W-FPTLW-V2](#) [MCOT128064U1V-BM](#) [MCT150B0W1024768LML](#) [MCCOG240064D6W-FPTLW](#)  
[MCT070Z0TW1W800480LML](#) [MCT050ACA0CW800480LML](#) [MCOT128064BY-WM](#) [MC11605A12W-VNMLB](#)  
[MCT052A6W480128LML](#) [MC11605A6WR-SPTLY-V2](#) [MC11606A6W-SPTLY-V2](#) [MC21605AB6W-GPTLY-V2](#) [MC21605G6WR-](#)  
[FPTLW-V2](#) [MC24005A6W-BNMLW-V2](#) [MC128064C6W-FPTLW-V2](#) [MC42005A6W-BNMLWI-V2](#) [MCOB21605GX-EGP](#)  
[MCOT128064UA1V-WM](#) [MCOT256064A1A-BM](#) [MCOT22005A1V-EYM](#)