


|                      |                  |        |             |
|----------------------|------------------|--------|-------------|
| MCOB128064T1V-YP     | 128 x 64         | Yellow | OLED Module |
| <b>Specification</b> |                  |        |             |
| Version: 1           | Date: 16/05/2017 |        |             |
| <b>Revision</b>      |                  |        |             |
|                      |                  |        |             |

| Display Features      |                         |  | Box Quantity | Weight / Display |
|-----------------------|-------------------------|--|--------------|------------------|
| Resolution            | 128 x 64                |  |              |                  |
| Appearance            | Yellow on Black         |  |              |                  |
| Logic Voltage         | 3V                      |  |              |                  |
| Interface             | Parallel                |  |              |                  |
| Module Size           | 75.00 x 52.70 x 8.50 mm |  |              |                  |
| Operating Temperature | -40°C ~ +80°C           | ---  | ---          |                  |
| Construction          | COB                     | ---  | ---          |                  |

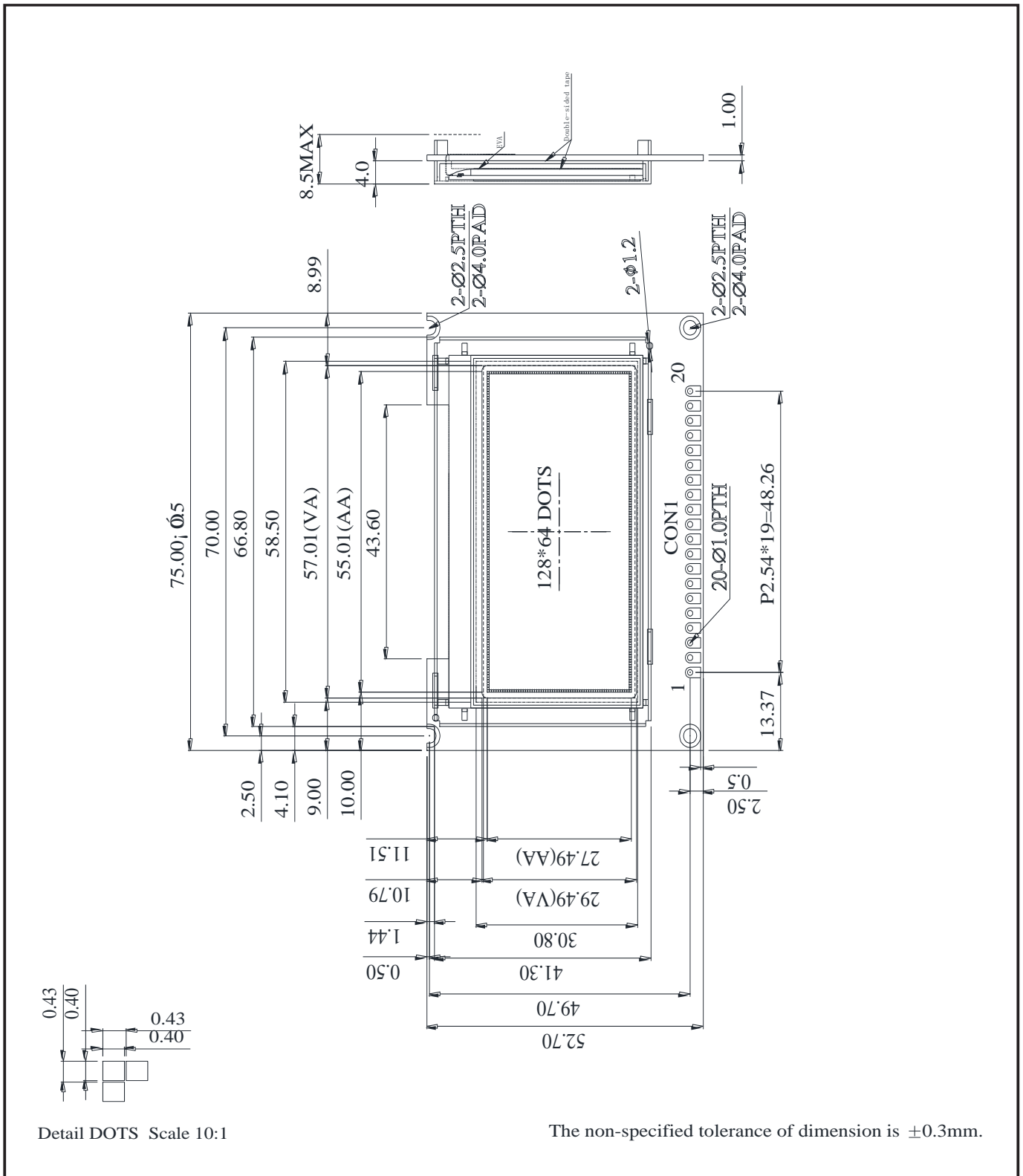
\* - For full design functionality, please use this specification in conjunction with the SSD1309 specification. (Provided Separately)

| Display Accessories        |  |
|----------------------------|--|
| Part Number                | Description  |
| MCC1A20DILP<br>-20DILS-150 | 20 Way Dual in-line to Dual in-line connector cable.                 |
| VBWFD2                     | USB PIC18F2550 micro-controller board to 20 Way DIL COB graphic LCD. |
|                            |  |

| Optional Variants |         |
|-------------------|---------|
| Appearance        | Voltage |
| White on Black    |         |
|                   |         |

## Mechanical Specifications

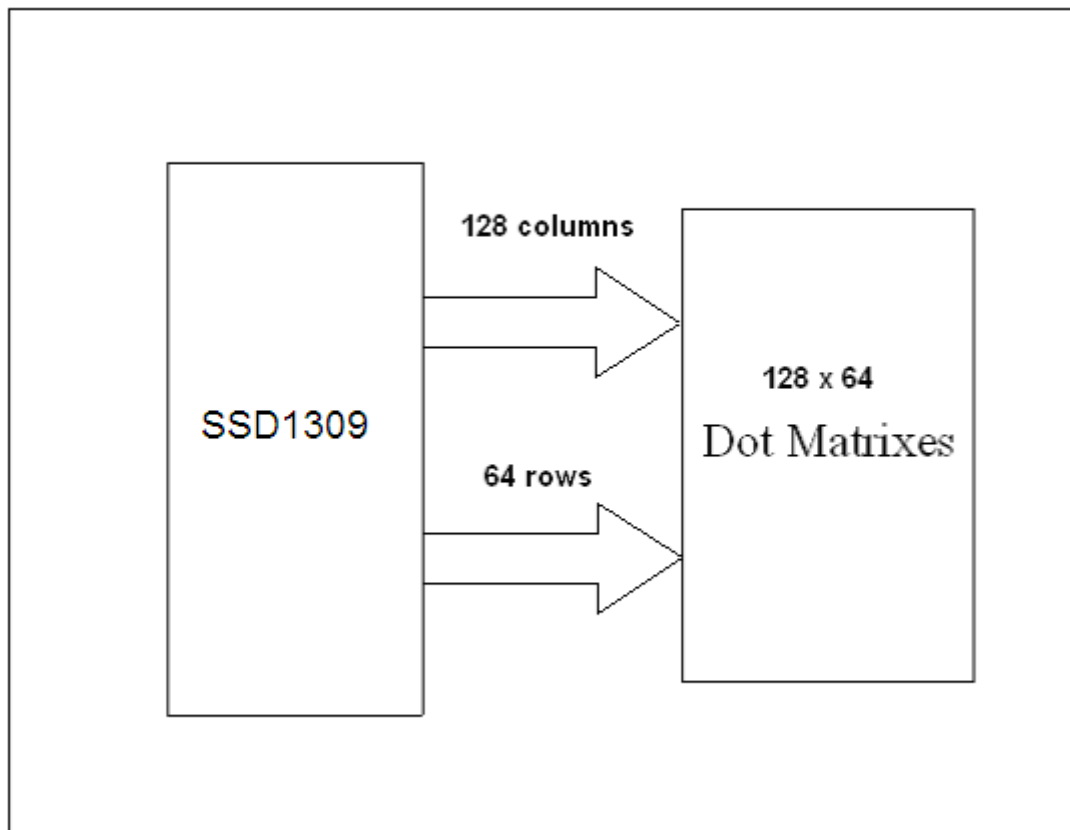
|              |                                       |          |              |               |              |
|--------------|---------------------------------------|----------|--------------|---------------|--------------|
| Module Size  | 75.00 x 52.70 x 8.50 (With Backlight) |          |              |               | W x H x D mm |
| Viewing Area | 57.01 x 29.49                         | W x H mm | Hole-to-Hole | 70.00 x 49.70 | W x H mm     |
| Dot Size     | 0.40 x 0.40                           | W x H mm | Dot Pitch    | 0.43 x 0.43   | W x H mm     |



|                  |          |                  |             |
|------------------|----------|------------------|-------------|
| MCOB128064T1V-YP | 128 x 64 | Yellow           | OLED Module |
| Version: 1       |          | Date: 16/05/2017 |             |
| Revision         |          |                  |             |

## Pin Layout

| Pin  | Symbol | Description   |
|------|--------|---|
| 1    | VDD    | Power Supply Pin for core logic operation.  |
| 2    | VSS    | Ground.   |
| 3    | NC     | No Connection.  |
| 4~11 | D0~D7  | Data Bus.   |
| 12   | CS     | Chip Select Input, connecting to MCU.<br>Chip is enabled for MCU communication when CS# is pulled Low.                |
| 13   | NC     | No Connection   |
| 14   | /RES   | Reset Signal Input.<br>Initialisation for chip is executed when pulled Low. Keep pulled High during normal operation. |
| 15   | R/W    | Read / Write control input pin, connecting to MCU.<br>8080 Mode= Pin is pulled Low and the chip selected.             |
| 16   | D/C    | Data / Command control pin connecting to the MCU.   |
| 17   | E      | This pin is MCU interface input.<br>8080 Mode= Pin is pulled Low and the chip selected.                               |
| 18   | NC     | No Connection.  |
| 19   | DISP   | Display Off.  |
| 20   | NC     | No Connection.  |



|                      |          |                  |             |
|----------------------|----------|------------------|-------------|
| MCOB128064T1V-YP     | 128 x 64 | Yellow           | OLED Module |
| <b>Specification</b> |          |                  |             |
| Version: 1           |          | Date: 16/05/2017 |             |
| <b>Revision</b>      |          |                  |             |
|                      |          |                  |             |

| Absolute Maximums Ratings |        |         |         |         |      |
|---------------------------|--------|---------|---------|---------|------|
| Item                      | Symbol | Minimum | Typical | Maximum | Unit |
| Supply Voltage for Logic  | VDD    | -0.30   | ---     | 4.00    | V    |
| Operating Temperature     | Vopr   | -40     | ---     | 80      | °C   |
| Storage Temperature       | Vstg   | -40     | ---     | 80      | °C   |

| Electronic Characteristics        |        |           |         |         |         |      |
|-----------------------------------|--------|-----------|---------|---------|---------|------|
| Item                              | Symbol | Condition | Minimum | Typical | Maximum | Unit |
| Input High Voltage                | VIH    | ---       | 0.80    | ---     | VDD     | V    |
| Input Low Voltage                 | VIL    | ---       | GND     | ---     | 0.20    | V    |
| Output High Voltage               | VOH    | ---       | 0.90    | ---     | VDD     | V    |
| Output Low Voltage                | VOL    | ---       | GND     | ---     | 0.10    | V    |
| Supply Voltage for Logic          | VDD    | ---       | 2.80    | 3.00    | 3.30    | V    |
| 50% Checkboard Operating Current. | IDD    | VDD=3.0V  | 130     | 135     | 150     | mA   |

| OLED Characteristics                   |              |           |         |         |         |                   |
|--|--------------|-----------|---------|---------|---------|-------------------|
| Item                                   | Symbol       | Condition | Minimum | Typical | Maximum | Unit              |
| Viewing Angle                          | (V) $\theta$ | ---       | 160     | ---     | ---     | Deg               |
|  | (H) $\phi$   | ---       | 160     | ---     | ---     | Deg               |
| Contrast Ratio                         | CR           | Dark      | 2000:1  | ---     | ---     | ---               |
| Response Time                          | T Rise       | ---       | ---     | 10      | ---     | $\mu$ s           |
|  | T Fall       | ---       | ---     | 10      | ---     | $\mu$ s           |
| Display with 50% Checkboard Brightness |              |           | 80      | 100     | ---     | cd/m <sup>2</sup> |
| CIEx(Yellow)                           |              | (CIE1931) | 0.45    | 0.47    | 0.49    | ---               |
| CIEy(Yellow)                           |              | (CIE1931) | 0.48    | 0.50    | 0.52    | ---               |

| OLED Life Time      |  |              |        |
|---------------------|--|--------------|--------|
| Item                | Conditions                                   | Typical      | Remark |
| Operating Life Time | Ta=25°C. Initial checkboard brightness, 50%. | 50,000 Hours | ---    |

|                      |          |                  |             |
|----------------------|----------|------------------|-------------|
| MCOB128064T1V-YP     | 128 x 64 | Yellow           | OLED Module |
| <b>Specification</b> |          |                  |             |
| Version: 1           |          | Date: 16/05/2017 |             |
| <b>Revision</b>      |          |                  |             |
|                      |          |                  |             |

## X-ON Electronics

Largest Supplier of Electrical and Electronic Components

*Click to view similar products for [Midas](#) manufacturer:*

Other Similar products are found below :

[MCT070LA12W1024600LML](#) [MCT043C0TW480272LML](#) [MCOB21609AV-EWP](#) [MC42004A6W-SPTLY](#) [MC22008B6W-SPR](#)  
[MC21609A12W-VNMLG](#) [MC22005A12W-VNMLY](#) [MCT035G12W320240LML](#) [MC21605A6WR-BNMLW-V2](#) [MC21605C6W-FPTLA-V2](#)  
[MC21605DA6W-SPTLY-V2](#) [MC21605H6W-BNMLW-V2](#) [MC42005A6W-FPTLW3-V2](#) [MCOT128064QV-WM](#) [MCOT048064A1V-YI](#)  
[MCOT128064E1V-BM](#) [MCOT096016C1V-BI](#) [MCT101E0CW1280800LMLIPS](#) [MCT039C12CW480128LML](#) [MCCOG240064F6W-FPTLW](#)  
[MC240064GD6W-BNMLW](#) [MCT070Z0W800480LML](#) [MCOT128064EY-YM](#) [MCIB-7](#) [MC21605A6WK-FPTLW-V2](#) [MC21605C6W-](#)  
[FPTLW-V2](#) [MC22005A6WK-SPTLY-V2](#) [MC22005A6WR-SPTLY-V2](#) [MC41605A6W-FPTLA-V2](#) [MC42005A6W-BNMLW-V2](#)  
[MC128064E6W-FPTLW-V2](#) [MCOT128064U1V-BM](#) [MCT150B0W1024768LML](#) [MCCOG240064D6W-FPTLW](#)  
[MCT070Z0TW1W800480LML](#) [MCT050ACA0CW800480LML](#) [MCOT128064BY-WM](#) [MC11605A12W-VNMLB](#)  
[MCT052A6W480128LML](#) [MC11605A6WR-SPTLY-V2](#) [MC11606A6W-SPTLY-V2](#) [MC21605AB6W-GPTLY-V2](#) [MC21605G6WR-](#)  
[FPTLW-V2](#) [MC24005A6W-BNMLW-V2](#) [MC128064C6W-FPTLW-V2](#) [MC42005A6W-BNMLWI-V2](#) [MCOB21605GX-EGP](#)  
[MCOT128064UA1V-WM](#) [MCOT256064A1A-BM](#) [MCOT22005A1V-EYM](#)