


MCOB128064T1V-WP	128 x 64	White	OLED Module
<b>Specification</b>			
Version: 1	Date: 16/05/2017		
<b>Revision</b>			

Display Features			Box Quantity	Weight / Display
Resolution	128 x 64			
Appearance	White on Black			
Logic Voltage	3V			
Interface	Parallel			
Module Size	75.00 x 52.70 x 8.50 mm			
Operating Temperature	-40°C ~ +80°C			
Construction	COB	---	---	

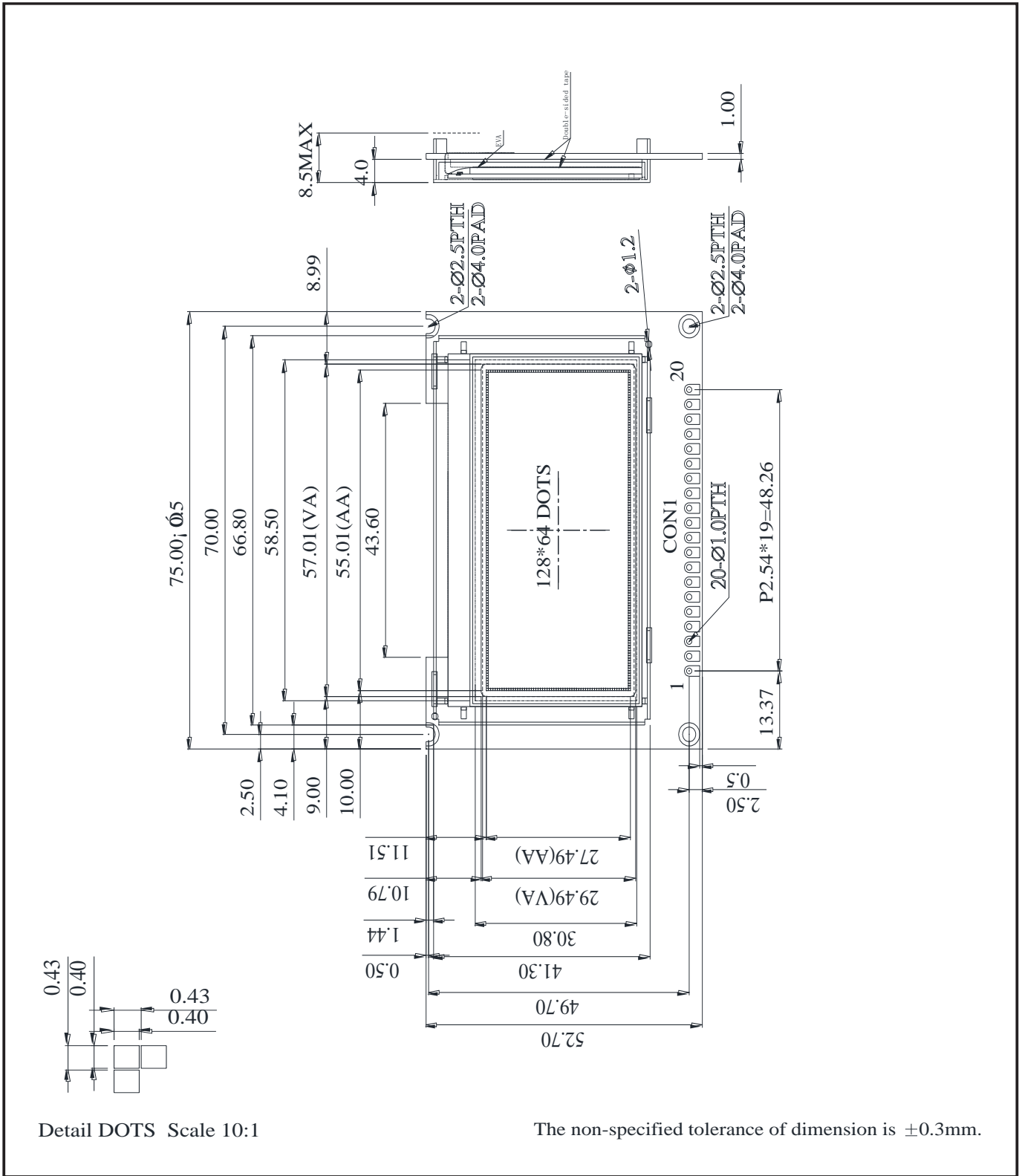
\* - For full design functionality, please use this specification in conjunction with the SSD1309 specification. (Provided Separately)

Display Accessories	
Part Number	Description
MCC1A20DILP -20DILS-150	20 Way Dual in-line to Dual in-line connector cable.
VBWFD2	USB PIC18F2550 micro-controller board to 20 Way DIL COB graphic LCD.

Optional Variants	
Appearance	Voltage
Yellow on Black	

# Mechanical Specifications

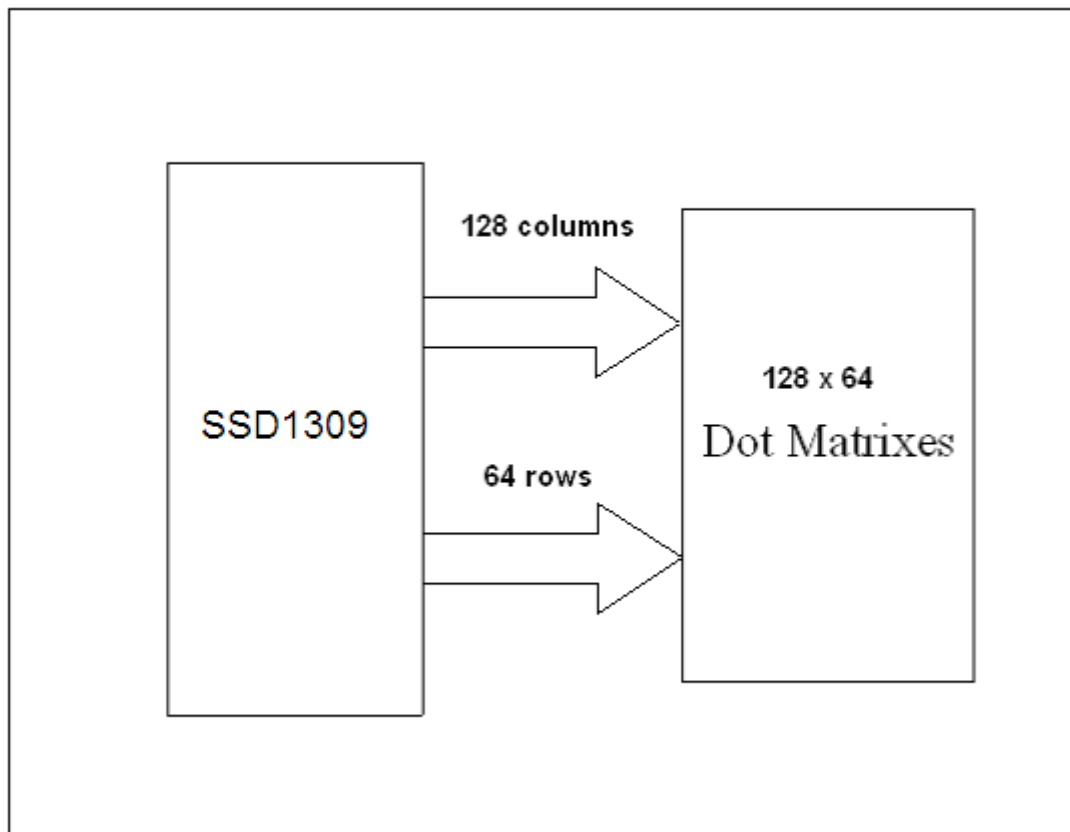
Module Size	75.00 x 52.70 x 8.50 (With Backlight)				W x H x D mm
Viewing Area	57.01 x 29.49	W x H mm	Hole-to-Hole	70.00 x 49.70	W x H mm
Dot Size	0.40 x 0.40	W x H mm	Dot Pitch	0.43 x 0.43	W x H mm



MCOB128064T1V-WP	128 x 64	White	OLED Module
Version: 1		Date: 16/05/2017	
<b>Specification</b>			
<b>Revision</b>			

## Pin Layout

Pin	Symbol	Description
1	VDD	Power Supply Pin for core logic operation.
2	VSS	Ground.
3	NC	No Connection.
4~11	D0~D7	Data Bus.
12	CS	Chip Select Input, connecting to MCU. Chip is enabled for MCU communication when CS# is pulled Low.
13	NC	No Connection
14	/RES	Reset Signal Input. Initialisation for chip is executed when pulled Low. Keep pulled High during normal operation.
15	R/W	Read / Write control input pin, connecting to MCU. 8080 Mode= Pin is pulled Low and the chip selected.
16	D/C	Data / Command control pin connecting to the MCU.
17	E	This pin is MCU interface input. 8080 Mode= Pin is pulled Low and the chip selected.
18	NC	No Connection.
19	DISP	Display Off.
20	NC	No Connection.



MCOB128064T1V-WP	128 x 64	White	OLED Module
<b>Specification</b>			
Version: 1		Date: 16/05/2017	
<b>Revision</b>			

Absolute Maximums Ratings					
Item	Symbol	Minimum	Typical	Maximum	Unit
Supply Voltage for Logic	VDD	-0.30	---	4.00	V
Operating Temperature	Vopr	-40	---	80	°C
Storage Temperature	Vstg	-40	---	80	°C

Electronic Characteristics						
Item	Symbol	Condition	Minimum	Typical	Maximum	Unit
Input High Voltage	VIH	---	0.80	---	VDD	V
Input Low Voltage	VIL	---	GND	---	0.20	V
Output High Voltage	VOH	---	0.90	---	VDD	V
Output Low Voltage	VOL	---	GND	---	0.10	V
Supply Voltage for Logic	VDD	---	2.80	3.00	3.30	V
50% Checkboard Operating Current.	IDD	VDD=3.0V	105	110	130	mA

OLED Characteristics						
Item	Symbol	Condition	Minimum	Typical	Maximum	Unit
Viewing Angle	(V) $\theta$	---	160	---	---	Deg
	(H) $\phi$	---	160	---	---	Deg
Contrast Ratio	CR	Dark	2000:1	---	---	---
Response Time	T Rise	---	---	10	---	$\mu$ s
	T Fall	---	---	10	---	$\mu$ s
Display with 50% Checkboard Brightness			60	70	---	cd/m <sup>2</sup>
CIE <sub>x</sub> (Yellow)		(CIE1931)	0.26	0.28	0.30	---
CIE <sub>y</sub> (Yellow)		(CIE1931)	0.30	0.32	0.34	---

OLED Life Time			
Item	Conditions	Typical	Remark
Operating Life Time	Ta=25°C. Initial checkboard brightness, 50%.	20,000 Hours	---

MCOB128064T1V-WP	128 x 64	White	OLED Module
<b>Specification</b>			
Version: 1		Date: 16/05/2017	
<b>Revision</b>			

## X-ON Electronics

Largest Supplier of Electrical and Electronic Components

*Click to view similar products for [Midas](#) manufacturer:*

Other Similar products are found below :

[MCT070LA12W1024600LML](#) [MCT043C0TW480272LML](#) [MCOB21609AV-EWP](#) [MC42004A6W-SPTLY](#) [MC22008B6W-SPR](#)  
[MC21609A12W-VNMLG](#) [MC22005A12W-VNMLY](#) [MCT035G12W320240LML](#) [MC21605A6WR-BNMLW-V2](#) [MC21605C6W-FPTLA-V2](#)  
[MC21605DA6W-SPTLY-V2](#) [MC21605H6W-BNMLW-V2](#) [MC42005A6W-FPTLW3-V2](#) [MCOT128064QV-WM](#) [MCOT048064A1V-YI](#)  
[MCOT128064E1V-BM](#) [MCOT096016C1V-BI](#) [MCT101E0CW1280800LMLIPS](#) [MCT039C12CW480128LML](#) [MCCOG240064F6W-FPTLW](#)  
[MC240064GD6W-BNMLW](#) [MCT070Z0W800480LML](#) [MCOT128064EY-YM](#) [MCIB-7](#) [MC21605A6WK-FPTLW-V2](#) [MC21605C6W-](#)  
[FPTLW-V2](#) [MC22005A6WK-SPTLY-V2](#) [MC22005A6WR-SPTLY-V2](#) [MC41605A6W-FPTLA-V2](#) [MC42005A6W-BNMLW-V2](#)  
[MC128064E6W-FPTLW-V2](#) [MCOT128064U1V-BM](#) [MCT150B0W1024768LML](#) [MCCOG240064D6W-FPTLW](#)  
[MCT070Z0TW1W800480LML](#) [MCT050ACA0CW800480LML](#) [MCOT128064BY-WM](#) [MC11605A12W-VNMLB](#)  
[MCT052A6W480128LML](#) [MC11605A6WR-SPTLY-V2](#) [MC11606A6W-SPTLY-V2](#) [MC21605AB6W-GPTLY-V2](#) [MC21605G6WR-](#)  
[FPTLW-V2](#) [MC24005A6W-BNMLW-V2](#) [MC128064C6W-FPTLW-V2](#) [MC42005A6W-BNMLWI-V2](#) [MCOB21605GX-EGP](#)  
[MCOT128064UA1V-WM](#) [MCOT256064A1A-BM](#) [MCOT22005A1V-EYM](#)