

# THERMODATA COMPONENTS

## BARRIER STRIPS Srs TC 44 25C

Terminal Barrier Strip 9.5 mm pitch with cover

### SPECIFICATIONS

**HOUSING:** POLYAMIDE (PA 66, UL94 V0)

**SCREWS:** M3.5, STEEL NICKEL PLATED

**TERMINALS :** BRASS, TIN PLATED

**TEMPERATURE RANGE:** -40 °C to + 105 °C

**STANDARD:** CE (BS EN 60998)

**WITHSTANDING VOLTAGE** AC 2000V / 1 MIN

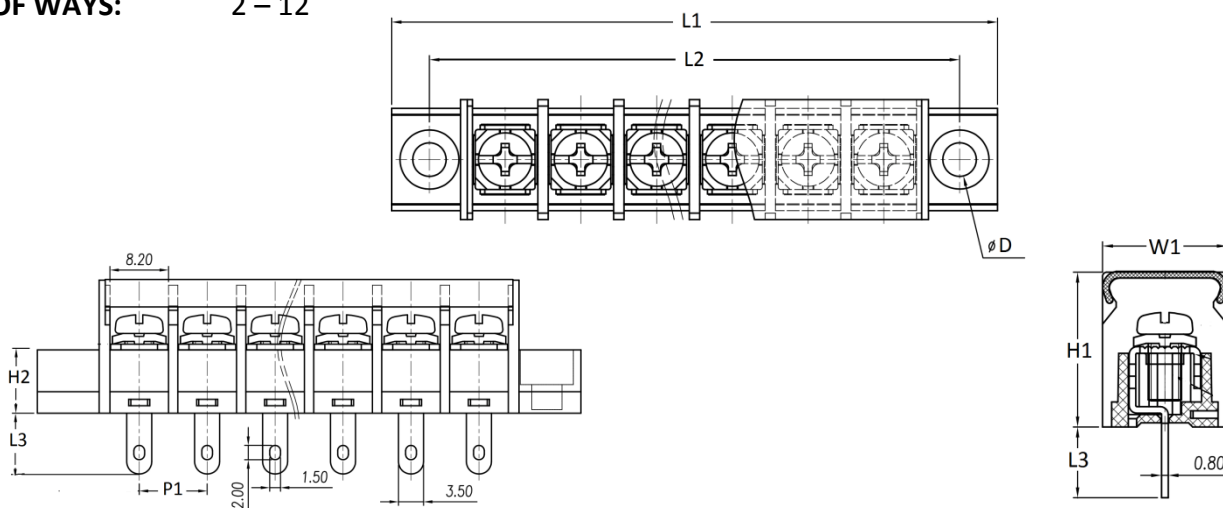
**INSULATION RESISTANCE:** 500MΩ / DC 500V

**MAX. TORQUE** 1.2N<sub>m</sub>



**No OF WAYS:** 2 – 12

### TERMINALS: RISING CLAMP CROSS HEAD



VARIANT	WIRE RANGE	RATED CURRENT	RATED VOLTAGE	DIMENSIONS (mm)								
				L <sub>1</sub>	L <sub>2</sub>	L <sub>3</sub>	H <sub>1</sub>	H <sub>2</sub>	W <sub>1</sub>	P <sub>1</sub>	D	
TC 44 25C 02	21-12AWG	20A	750V	38	28.5	8.5	18.6	9.8	15.0	9.5	4.0	
TC 44 25C 03	21-12AWG	20A	750V	47.5	38	8.5	18.6	9.8	15.0	9.5	4.0	
TC 44 25C 04	21-12AWG	20A	750V	57	47.5	8.5	18.6	9.8	15.0	9.5	4.0	
TC 44 25C 05	21-12AWG	20A	750V	66.5	57	8.5	18.6	9.8	15.0	9.5	4.0	
TC 44 25C 06	21-12AWG	20A	750V	76	66.5	8.5	18.6	9.8	15.0	9.5	4.0	
TC 44 25C 07	21-12AWG	20A	750V	85.5	76	8.5	18.6	9.8	15.0	9.5	4.0	
TC 44 25C 08	21-12AWG	20A	750V	95	85.5	8.5	18.6	9.8	15.0	9.5	4.0	
TC 44 25C 09	21-12AWG	20A	750V	104.5	95	8.5	18.6	9.8	15.0	9.5	4.0	
TC 44 25C 10	21-12AWG	20A	750V	114	104.5	8.5	18.6	9.8	15.0	9.5	4.0	
TC 44 25C 11	21-12AWG	20A	750V	123.5	114	8.5	18.6	9.8	15.0	9.5	4.0	
TC 44 25C 12	21-12AWG	20A	750V	133	123.5	8.5	18.6	9.8	15.0	9.5	4.2	

## **X-ON Electronics**

Largest Supplier of Electrical and Electronic Components

*Click to view similar products for [Thermodata](#) manufacturer:*

Other Similar products are found below :

[TC 44 18 08](#) [TC 44 25C 05](#) [TC 44 18 02](#) [TC 44 18 06](#) [TC 44 25C 04](#) [TC 44 25C 09](#) [TC 44 18 09](#) [TC 44 18 04](#) [TC 44 18 10](#) [R44 00018 00](#)  
[003 000](#) [TC 44 18 12](#) [TC 44 25C 08](#) [TC 44 25C 06](#) [R44 00045 00 000 000](#)