

# THERMODATA COMPONENTS

## BARRIER STRIPS Srs TC 44 25C

### Terminal Barrier Strip 9.5 mm pitch with cover

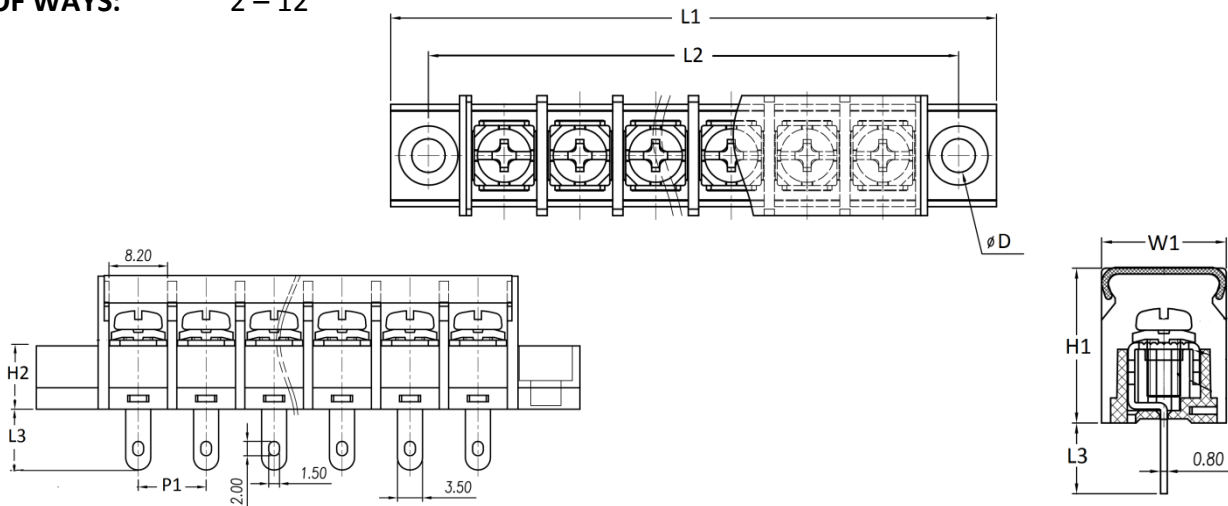
#### SPECIFICATIONS

<b>HOUSING:</b>	POLYAMIDE (PA 66, UL94 V0)
<b>SCREWS:</b>	M3.5, STEEL NICKEL PLATED
<b>TERMINALS :</b>	BRASS, TIN PLATED
<b>TEMPERATURE RANGE:</b>	-40 °C to + 105 °C
<b>STANDARD:</b>	CE (BS EN 60998)
<b>WITHSTANDING VOLTAGE</b>	AC 2000V / 1 MIN
<b>INSULATION RESISTANCE:</b>	500MΩ / DC 500V
<b>MAX. TORQUE</b>	1.2N <sub>m</sub>



**No OF WAYS:** 2 – 12

#### TERMINALS: RISING CLAMP CROSS HEAD



VARIANT	WIRE RANGE	RATED CURRENT	RATED VOLTAGE	DIMENSIONS (mm)								
				L <sub>1</sub>	L <sub>2</sub>	L <sub>3</sub>	H <sub>1</sub>	H <sub>2</sub>	W <sub>1</sub>	P <sub>1</sub>	D	
TC 44 25C 02	21-12AWG	20A	750V	38	28.5	8.5	18.6	9.8	15.0	9.5	4.0	
TC 44 25C 03	21-12AWG	20A	750V	47.5	38	8.5	18.6	9.8	15.0	9.5	4.0	
<b>TC 44 25C 04</b>	<b>21-12AWG</b>	<b>20A</b>	<b>750V</b>	<b>57</b>	<b>47.5</b>	<b>8.5</b>	<b>18.6</b>	<b>9.8</b>	<b>15.0</b>	<b>9.5</b>	<b>4.0</b>	
TC 44 25C 05	21-12AWG	20A	750V	66.5	57	8.5	18.6	9.8	15.0	9.5	4.0	
TC 44 25C 06	21-12AWG	20A	750V	76	66.5	8.5	18.6	9.8	15.0	9.5	4.0	
TC 44 25C 07	21-12AWG	20A	750V	85.5	76	8.5	18.6	9.8	15.0	9.5	4.0	
TC 44 25C 08	21-12AWG	20A	750V	95	85.5	8.5	18.6	9.8	15.0	9.5	4.0	
TC 44 25C 09	21-12AWG	20A	750V	104.5	95	8.5	18.6	9.8	15.0	9.5	4.0	
TC 44 25C 10	21-12AWG	20A	750V	114	104.5	8.5	18.6	9.8	15.0	9.5	4.0	
TC 44 25C 11	21-12AWG	20A	750V	123.5	114	8.5	18.6	9.8	15.0	9.5	4.0	
TC 44 25C 12	21-12AWG	20A	750V	133	123.5	8.5	18.6	9.8	15.0	9.5	4.2	

## **X-ON Electronics**

Largest Supplier of Electrical and Electronic Components

*Click to view similar products for [Thermodata](#) manufacturer:*

Other Similar products are found below :

[TC 44 18 08](#) [TC 44 25C 05](#) [TC 44 18 02](#) [TC 44 18 06](#) [TC 44 25C 04](#) [TC 44 25C 09](#) [TC 44 18 09](#) [TC 44 18 04](#) [TC 44 18 10](#) [R44 00018 00](#)  
[003 000](#) [TC 44 18 12](#) [TC 44 25C 08](#) [TC 44 25C 06](#) [R44 00045 00 000 000](#)