

THERMODATA COMPONENTS

BARRIER STRIPS Srs TC 44 25C

Terminal Barrier Strip 9.5 mm pitch with cover

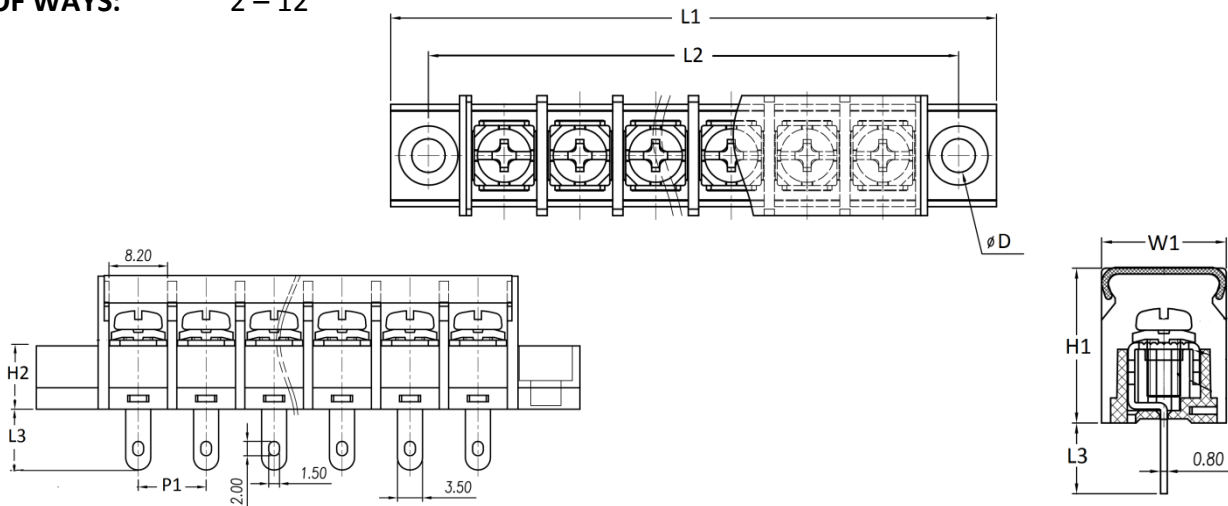
SPECIFICATIONS

| | |
|-------------------------------|----------------------------|
| HOUSING: | POLYAMIDE (PA 66, UL94 V0) |
| SCREWS: | M3.5, STEEL NICKEL PLATED |
| TERMINALS : | BRASS, TIN PLATED |
| TEMPERATURE RANGE: | -40 °C to + 105 °C |
| STANDARD: | CE (BS EN 60998) |
| WITHSTANDING VOLTAGE | AC 2000V / 1 MIN |
| INSULATION RESISTANCE: | 500MΩ / DC 500V |
| MAX. TORQUE | 1.2N _m |



No OF WAYS: 2 – 12

TERMINALS: RISING CLAMP CROSS HEAD



| VARIANT | WIRE RANGE | RATED CURRENT | RATED VOLTAGE | DIMENSIONS (mm) | | | | | | | | |
|---------------------|-----------------|---------------|---------------|-----------------|----------------|----------------|----------------|----------------|----------------|----------------|------------|--|
| | | | | L ₁ | L ₂ | L ₃ | H ₁ | H ₂ | W ₁ | P ₁ | D | |
| TC 44 25C 02 | 21-12AWG | 20A | 750V | 38 | 28.5 | 8.5 | 18.6 | 9.8 | 15.0 | 9.5 | 4.0 | |
| TC 44 25C 03 | 21-12AWG | 20A | 750V | 47.5 | 38 | 8.5 | 18.6 | 9.8 | 15.0 | 9.5 | 4.0 | |
| TC 44 25C 04 | 21-12AWG | 20A | 750V | 57 | 47.5 | 8.5 | 18.6 | 9.8 | 15.0 | 9.5 | 4.0 | |
| TC 44 25C 05 | 21-12AWG | 20A | 750V | 66.5 | 57 | 8.5 | 18.6 | 9.8 | 15.0 | 9.5 | 4.0 | |
| TC 44 25C 06 | 21-12AWG | 20A | 750V | 76 | 66.5 | 8.5 | 18.6 | 9.8 | 15.0 | 9.5 | 4.0 | |
| TC 44 25C 07 | 21-12AWG | 20A | 750V | 85.5 | 76 | 8.5 | 18.6 | 9.8 | 15.0 | 9.5 | 4.0 | |
| TC 44 25C 08 | 21-12AWG | 20A | 750V | 95 | 85.5 | 8.5 | 18.6 | 9.8 | 15.0 | 9.5 | 4.0 | |
| TC 44 25C 09 | 21-12AWG | 20A | 750V | 104.5 | 95 | 8.5 | 18.6 | 9.8 | 15.0 | 9.5 | 4.0 | |
| TC 44 25C 10 | 21-12AWG | 20A | 750V | 114 | 104.5 | 8.5 | 18.6 | 9.8 | 15.0 | 9.5 | 4.0 | |
| TC 44 25C 11 | 21-12AWG | 20A | 750V | 123.5 | 114 | 8.5 | 18.6 | 9.8 | 15.0 | 9.5 | 4.0 | |
| TC 44 25C 12 | 21-12AWG | 20A | 750V | 133 | 123.5 | 8.5 | 18.6 | 9.8 | 15.0 | 9.5 | 4.2 | |

X-ON Electronics

Largest Supplier of Electrical and Electronic Components

Click to view similar products for [Thermodata](#) manufacturer:

Other Similar products are found below :

[TC 44 18 08](#) [TC 44 25C 05](#) [TC 44 18 02](#) [TC 44 18 06](#) [TC 44 25C 04](#) [TC 44 25C 09](#) [TC 44 18 09](#) [TC 44 18 04](#) [TC 44 18 10](#) [R44 00018 00](#)
[003 000](#) [TC 44 18 12](#) [TC 44 25C 08](#) [TC 44 25C 06](#) [R44 00045 00 000 000](#)