

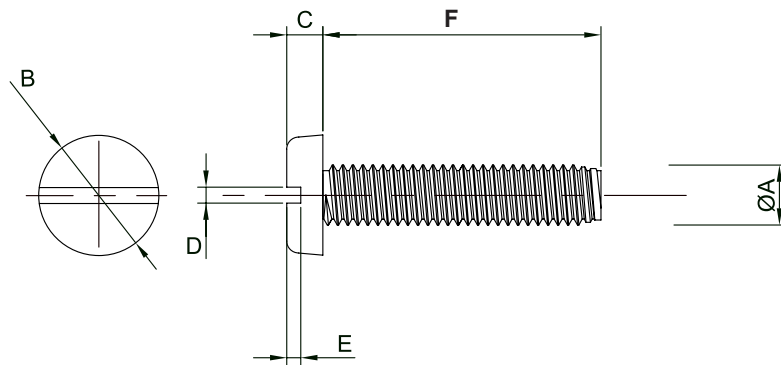
Pan Head Screw



Specification

Material : Steel
 Finish : Commercial Zinc/Clear Cr3

Diagram



Dimension Table

Part Number	ØA	B Nom	C Max.	D Nom	E Min.	F Length
DT000101	M3.5-0.6	7mm	2.1mm	1mm	0.8mm	6mm
DT000102						12mm
DT000103		6.5mm	1.93	-	20mm	

Part Number Table

Description	Part Number
Machine Screw, DIN 85, M3.5, Steel, 6mm, Zinc, Pan Head Slotted	DT000101
Machine Screw, DIN 85, M3.5, Steel, 12mm, Zinc, Pan Head Slotted	DT000102
Machine Screw, DIN 85, M3.5, Steel, 20mm, Zinc, Pan Head Slotted	DT000103

Important Notice : This data sheet and its contents (the "Information") belong to the members of the Premier Farnell group of companies (the "Group") or are licensed to it. No licence is granted for the use of it other than for information purposes in connection with the products to which it relates. No licence of any intellectual property rights is granted. The Information is subject to change without notice and replaces all data sheets previously supplied. The Information supplied is believed to be accurate but the Group assumes no responsibility for its accuracy or completeness, any error in or omission from it or for any use made of it. Users of this data sheet should check for themselves the Information and the suitability of the products for their purpose and not make any assumptions based on information included or omitted. Liability for loss or damage resulting from any reliance on the Information or use of it (including liability resulting from negligence or where the Group was aware of the possibility of such loss or damage arising) is excluded. This will not operate to limit or restrict the Group's liability for death or personal injury resulting from its negligence. DURATOOL is the registered trademark of the Group. © Premier Farnell Limited 2016.



X-ON Electronics

Authorized Distributor

Click to view similar products for [TR Fastenings](#) manufacturer.

Other Similar products are found below :

[1961030020071DO](#) [1961040012071DO](#) [3010FLST30TC1D](#) [3010KRST30TC1D](#)

[3010PRST30TC1D](#) [3012FLST30TC1D](#) [3012KRST30TC1D](#) [3012PRST30TC1D](#)

[3014PRST30TC1D](#) [3016KRST30TC1D](#) [3016PRST30TC1D](#) [3018PRST30TC1D](#)

[3020KRST30TC1D](#) [3020PRST30TC1D](#) [3025PRST30TC1D](#) [3030PRST30TC1D](#)

[306FLST30TC1D](#) [306PRST30TC1D](#) [308FLST30TC1D](#) [308KRST30TC1D](#)

[308PRST30TC1D](#) [3510FLST30TC1D](#) [3510PRST30TC1D](#) [3512FLST30TC1D](#)

[3512KRST30TC1D](#)