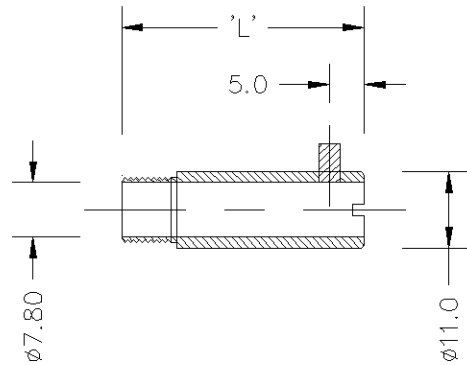


Thermocouple Bayonet Assemblies & Adaptors

Threaded bayonet adaptors in a choice of lengths to suit bayonet cap style thermocouples

Bayonet Adaptors:



- Threaded bayonet adaptors to suit bayonet cap style thermocouples
- 1/8" BSP parallel or M10 x 1mm thread
- Single pin
- 11mm diameter body (suits widely used 11.5mm inside diameter bayonet caps)
- 7.8mm bore through centre of adaptor
- Available in 35mm, 48mm & 64mm lengths
- Nickel plated brass finish

Thread Type	'L' Length	order code
1/8" BSP	35mm	XF-991-FAR
1/8" BSP	48mm	XF-992-FAR
1/8" BSP	64mm	XF-993-FAR
M10x1mm	35mm	XF-995-FAR

Bayonet Assembly & Adaptor:



Part	order code
Assembly	XF-990-FAR
Adaptor	XF-994-FAR

- Spring loaded bayonet assembly to suit 6.0mm dia. probe
- Grub screw type for securing to selected position on probe
- Matching 1/8" BSP parallel adaptor with 2 pins
- Adaptor has 15.9mm diameter body and is 22mm long overall
- 7.8mm bore through centre of adaptor
- Nickel plated brass finish

X-ON Electronics

Largest Supplier of Electrical and Electronic Components

Click to view similar products for [Labfacility manufacturer](#):

Other Similar products are found below :

[XF-1268-FAR](#) [CT-Z4-PFA-K-2](#) [MD-ISK-S45-250-P5-IEC](#) [MC-ISK-S60-300-KNS-I](#) [MB-ISK-I10-1000-MP](#) [WT-304-ANSI X 100M](#) [IM-B-PCB](#) [Z2-J-3-MP](#) [XF-945-FAR](#) [XF-946-FAR](#) [XF-947-FAR](#) [XF-949-FAR](#) [XF-955-FAR](#) [XF-960-FAR](#) [XF-962-FAR](#) [XF-966-FAR](#) [XF-989-FAR](#) [XF-1074-FAR](#) [XF-1089-FAR](#) [XF-1116-FAR](#) [XF-1172-FAR](#) [XF-1171-FAR](#) [XF-1222-FAR](#) [XF-1238-FAR](#) [XF-1190-FAR](#) [XF-1109-FAR](#) [XF-1110-FAR](#) [XF-1140-FAR](#) [XF-1111-FAR](#) [XF-1112-FAR](#) [XF-1136-FAR](#) [XF-1149-FAR](#) [XF-1150-FAR](#) [XF-1151-FAR](#) [XF-1146-FAR](#) [XF-1249-FAR](#) [XF-1113-FAR](#) [XF-1178-FAR](#) [XF-1184-FAR](#) [XF-1235-FAR](#) [XF-1251-FAR](#) [XF-1254-FAR](#) [XF-1265-FAR](#) [XF-1266-FAR](#) [XF-1274-FAR](#) [XF-1277-FAR](#) [XF-1281-FAR](#) [XF-1283-FAR](#) [XF-1293-FAR](#) [XF-1300-FAR](#)