

Circuit-Lock® Motor Disconnects with Jog Switch

*Designed for Convenience,
Safety and Savings*

Hubbell Disconnects with integral Jog switch are another addition to the Circuit-Lock® family of switched enclosures. Consistent with our standard enclosures, they are designed to withstand harsh environments with exposure to water, chemicals, oils and frequent wash downs. Enclosures are UL Listed Type 4X, 12 and IP69k and available in Non-Metallic or Stainless Steel.

The Three Position Jog Switch (TEST, OFF and RUN) Provides Users:

- **Cost Savings** by utilizing existing space in the motor disconnect enclosure reducing parts and labor costs.
- **Convenience** by having point of use control circuit to PLC within line of sight of the motor
- **Added Safety** by allowing maintenance personnel the functionality to "Try Out" after LO/TO

Motor Disconnect Features:

- UL 508 / 60947-4-1 Rated Switch
- Non-Metallic, Stainless Steel & Stainless Steel Sloped Top Enclosures
- Type 4X, 12 and IP69k
- Highly Visible Red Rotary Handle with OSHA Compliant LO/TO Handle
- 65kA SCCR Rating when Protected by a Class J Fuse

Jog Switch Features

- Two Auxiliary Contacts for Communication with PLC
- Momentary "TEST" and Maintained "OFF" and "RUN" Settings



Motor Disconnects with Jog Switch

30 and 60 Amp Disconnects with Jog Switch

Amps	Description	Catalog Numbers
	Non-Metallic Disconnect with Jog Switch	HBLDS3J
	Non-Metallic Disconnect with NO+NC Aux Contact and Jog Switch	HBLDS3ACJ
30A	Non-Metallic Disconnect with NO Break Before Main Aux Contact and Jog Switch	HBLDS3VFDJ
	Stainless Steel Disconnect with Jog Switch	HBLDS3SSJ
	Sloped Stainless Steel Disconnect with Jog Switch	HBLDS3SSRJ
60A	Non-Metallic Disconnect with Jog Switch	HBLDS6J



HBLDS3J



HBLDS3SSJ



HBLDS3SSRJ

Replacement Covers and Auxiliary Contacts

Description	Catalog Numbers
Replacement Cover for Non-Metallic 30A Disconnect with Jog Switch	HBLDS3RCJ
Replacement Cover for Stainless Steel 30A Disconnect with Jog Switch	HBLDS3SSRCJ
Replacement Cover for Sloped Stainless Steel 30A Disconnect with Jog Switch	HBLDS3SSRRCJ
Replacement Cover for Non-Metallic 60A Disconnect with Jog Switch	HBLDS6RCJ
"Break After Main Break", 1 set of n/o contacts, 1 set of n/c contacts	HBLAC1
"Break Before Main Break", 1 set of n/o contacts	HBLAC2

Materials

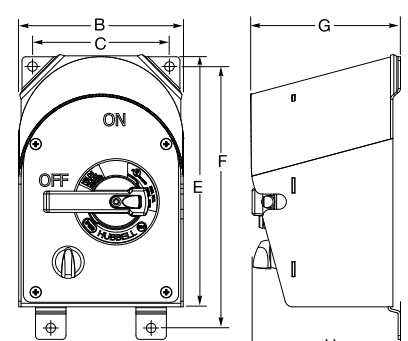
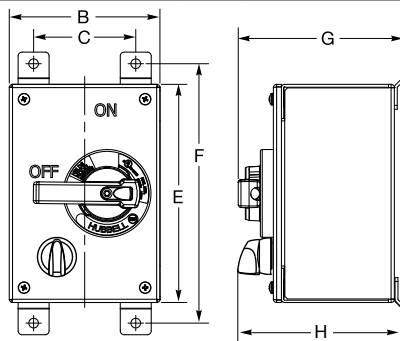
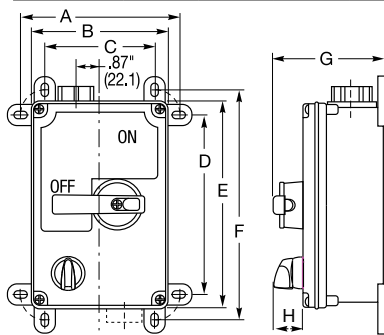
Part	Non-Metallic	Stainless Steel
Base	Valox®	#14 Gauge Type 304 Stainless Steel
Top	Valox®	#14 Gauge Type 304 Stainless Steel
Handle	Valox®	Valox®
Conduit Hub	Zinc 30A Unfused - 3/4 in. 60 Unfused - 1 1/4 in.	Zinc 30A - 3/4 in.
Enclosure Gasket	Neoprene	Neoprene
Shaft (Unfused)	Valox®	Valox®
Shaft Seal	Molded Neoprene	Molded Neoprene
Frame	Galvanized Steel	N/A
Enclosure Screws	Stainless Steel 300 Series	Stainless Steel

Dimensions inch (mm)

Key	Labelless Non-Metallic		Stainless Steel, Square Top	Stainless Steel, Sloped Top
	30A	60A	30A	30A
A	6.00 (152)	7.75 (197)	—	—
B	5.12 (130)	6.87 (175)	4.87 (124)	5.41 (137)
C	4.12 (105)	4.75 (121)	3.30 (84)	4.50 (114)
D	6.62 (168)	8.00 (203)	—	—
E	7.62 (194)	9.95 (253)	7.05 (179)	8.60 (218)
F	8.50 (216)	11.00 (279)	8.38 (213)	8.22 (209)
G	4.12 (105)	5.94 (151)	5.39 (137)	4.92 (125)
H	1.08 (28)	1.08 (28)	5.39 (137)	4.77 (121)

Horsepower Ratings

Voltage	30A	60A
1Ø 120V AC	1	7.5
1Ø 200–240V AC	3	15
1Ø 480V AC	5	30
3Ø 200–240V AC	7.5	30
3Ø 480V AC	15	50
3Ø 600V AC	15	50



X-ON Electronics

Largest Supplier of Electrical and Electronic Components

Click to view similar products for [Hubbell](#) manufacturer:

Other Similar products are found below :

[03301045](#) [CR16277](#) [M001SG000](#) [M001SG00P](#) [01301013](#) [02201048](#) [02206012](#) [02211019](#) [02406006](#) [01304029](#) [CS1223GY](#) [CS6360C](#) [M5100C9R](#)
[7310](#) [MCMA14110](#) [7485VBLK](#) [7585](#) [7716](#) [7967](#) [FCW4SP](#) [FF3I](#) [PF2004PA005](#) [PFOLT312](#) [PH2003PA010](#) [PH2304PB050](#) [PH6598W](#)
[GFR5362WTR](#) [GFR8300SNAPBKNA](#) [GFSMCB120240503P](#) [PM3004PA015](#) [PT2X2SFBR5](#) [HBL13R12D](#) [HBL16R90](#) [HBL16R92D](#)
[HBL20GBA612IV](#) [HBL20IG606GY](#) [HBL2320SW](#) [HBL2441](#) [HBL24CM11](#) [HBL2510SW](#) [HBL2511S](#) [HBL26421](#) [HBL2720SR](#) [HBL2740](#)
[HBL2753](#) [HBL2766](#) [HBL2810AR](#) [HBL3015EGY](#) [HBL3100B6W](#) [HBL3100C7W](#)