


PCB TERMINAL BLOCKS

5.08mm Pitch Screwless Pluggable Terminal Blocks

- 2-24 pole solid block (female)
- 2-16 pole solid block (male)
- Pluggable female and male connectors
- Also compatible with conventional 5.08mm pluggable terminal blocks
- Screwless - wire retained by cage spring
- Optional mounting clip, CSTB9C can be removed after fitting
- Polarised mouldings
- Moulded in green UL94-V0 flame retardant PA
- 0.2-2.5mm² (24-14AWG) solid & stranded cable
-  approved
- GWT compliant version also available

SPECIFICATION

Rating	18A/320V UL=14A/300V, IMQ=18A/320V
Dielectric strength	≥2.5kV
Impulse withstand voltage	4kV
Working temperature	110°C
Moulding	UL94-V0 flame retardant PA66
Clamp/spring	Nickel copper flash brass

Female connector

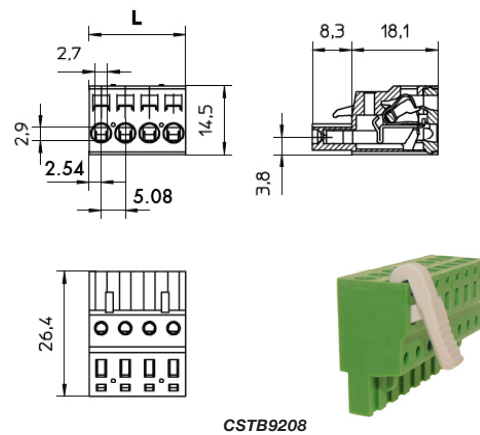
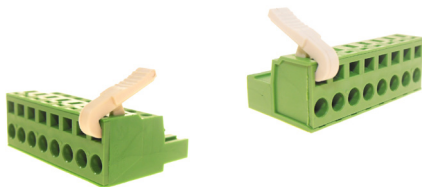
TYPE NO.	POLES	LENGTH	TYPE NO.	POLES	LENGTH
CSTB9208/2	2	10.2mm	CSTB9208/14	14	71.1mm
CSTB9208/3	3	15.2mm	CSTB9208/15	15	76.2mm
CSTB9208/4	4	20.3mm	CSTB9208/16	16	81.3mm
CSTB9208/5	5	25.4mm	CSTB9208/17	17	86.4mm
CSTB9208/6	6	30.5mm	CSTB9208/18	18	91.4mm
CSTB9208/7	7	35.6mm	CSTB9208/19	19	96.5mm
CSTB9208/8	8	40.6mm	CSTB9208/20	20	101.6mm
CSTB9208/9	9	45.7mm	CSTB9208/21	21	106.7mm
CSTB9208/10	10	50.8mm	CSTB9208/22	22	111.8mm
CSTB9208/11	11	55.9mm	CSTB9208/23	23	116.8mm
CSTB9208/12	12	61.0mm	CSTB9208/24	24	121.9mm
CSTB9208/13	13	66.0mm			

Male connector

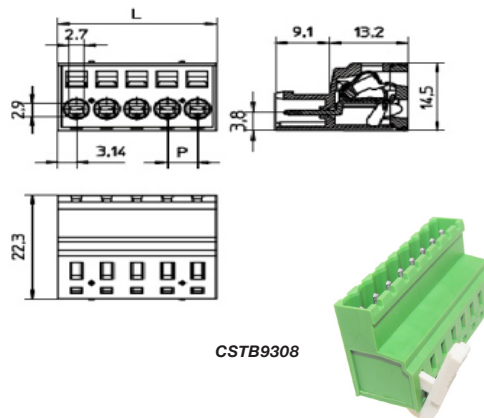
TYPE NO.	POLES	LENGTH	TYPE NO.	POLES	LENGTH
CSTB9308/2	2	11.36mm	CSTB9308/14	14	72.32mm
CSTB9308/3	3	16.44mm	CSTB9308/15	15	77.4mm
CSTB9308/4	4	21.52mm	CSTB9308/16	16	82.48mm
CSTB9308/5	5	26.6mm	CSTB9308/17	17	87.56mm
CSTB9308/6	6	31.68mm	CSTB9308/18	18	92.64mm
CSTB9308/7	7	36.76mm	CSTB9308/19	19	97.72mm
CSTB9308/8	8	41.84mm	CSTB9308/20	20	102.8mm
CSTB9308/9	9	46.92mm	CSTB9308/21	21	107.88mm
CSTB9308/10	10	52mm	CSTB9308/22	22	112.96mm
CSTB9308/11	11	57.08mm	CSTB9308/23	23	118.04mm
CSTB9308/12	12	62.16mm	CSTB9308/24	24	123.12mm
CSTB9308/13	13	67.24mm			

Mounting Clip

TYPE NO.
CSTB9C



CSTB9208



CSTB9308

PCB
TERMINAL
BLOCKS

INTER-
CONNECTION

FUSES &
FUSE-
HOLDERS

LEDs &
INDICATORS

MINIATURE
SWITCHES

LIMIT &
SAFETY
SWITCHES

CONTROL
PRODUCTS

INTERFACE
MODULES &
SUPPORTS

RELAY
BASES

DIN RAIL
ENCLOSURES

BATTERIES

SOLAR
PANELS

TRANS-
FORMERS

X-ON Electronics

Largest Supplier of Electrical and Electronic Components

Click to view similar products for [Camden manufacturer](#):

Other Similar products are found below :

[CCTTR30RD](#) [412689X](#) [CTBP92VE/12R](#) [CTBP9350/12](#) [IND515205-240-T/GRN](#) [IND515205-240-T/RD](#) [CDIC00002](#) [CCTTBES](#)
[C192SHAND](#) [RX510A](#) [RTM5006/16-PAT](#) [CTB9350/12FL](#) [CTBP9308/6AO](#) [CTBP9358/11](#) [CTBP9208/8](#) [CIME/M/BE2250SS](#)
[CHH64E1BL](#) [CHD774004](#) [CHHBAT1BK](#) [CFTBN/2](#) [RTM5003/13-NAT](#) [CCB2S1/04](#) [CCM1S1/05](#) [CHDX7-224C](#) [CHDX8-221](#) [CHDX8-222](#) [CHDX8-231C](#) [CHDX810DD](#) [CHDX811DD](#) [CHDX814DD](#) [CTB9300/2A](#) [CTBP92VD/5R](#) [CTBP92VJ/8R](#) [CTSN431/12/M](#)
[CTSN433/12/M](#) [CUABOX012](#) [CDIC00005](#) [CBRPH-BLK](#) [BIM2004/LUG-GY/GY](#) [RTM5005/15-WH](#) [RTM108-BLK](#) [CNMB/4/KIT](#)
[CTB5050/5](#) [CTBP9358/10AO](#) [CTBP93VE/9](#) [CHH66C2GY](#) [CIM/9W-DMFS](#) [RTM5006/16-NC-BLK](#) [IND5032405-125-T/AMB](#) [CHTB4/3N](#)