

Data Sheet

RT034xxHBLC

Page 1/5

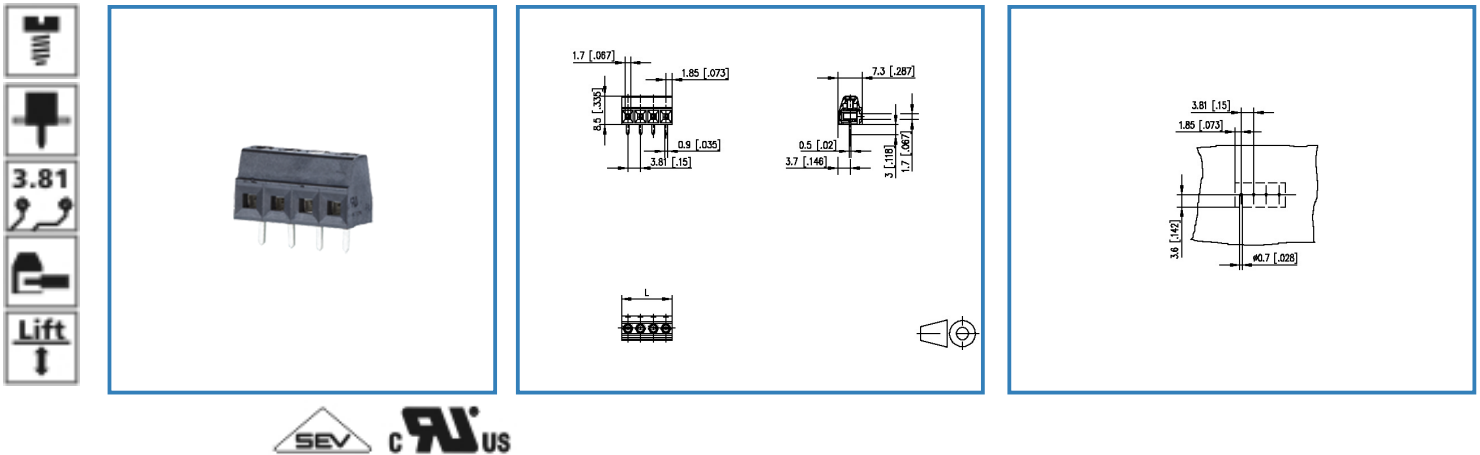
P/N

310861xx

xx=number of poles

2017/01/24

Illustration



see enlarged drawing at the end of the document

Product specification

- screw type terminal block, solderable
- centerline 3.81 mm, direction of connection 90°
- lift system, fittable without loss of poles
- color black

Data Sheet

RT034xxHBLC

Page 2/5

P/N

310861xx

xx=number of poles

2017/01/24

Technical Data



General Data

Tightening torque SEV	0.15 Nm		
Tightening torque UL	2.2 lb-in		
Solder pin length	3.5 mm		
min. number of poles	2		
max. number of poles	24		
Insulating material class	CTI 600		
clearance/creepage dist.	2 mm		
protection category	IP 00		
Overvoltage category	III	III	II
Pollution degree	3	2	2
Rated voltage	160 V	400 V	400 V
Rated test voltage	2.5 kV	2.5 kV	2.5 kV

Connection data

Rated wiring solid wire	0.2 - 1.5 mm ² / AWG 28 - 16
Rated wiring stranded wire	0.2 - 1 mm ² / AWG 28 - 18

Approvals

 V / A / AWG	150 / 10 / 28 - 18
 1.0 mm ²	130 V / 13.5 A / T60

Material

insulating material	PA66
flammability class	V0
contact material	CuSn
Glow-Wire Flammability GWFI	960
Glow-Wire Flammability GWIT	775
contact surface	Sn
terminal body material	CuZn
terminal body surface	Ni
screw surface	Zn Cr(VI)-frei/free
screw thread	M2

Climatic properties

upper limit temperature	105 °C
lower limit temperature	-40 °C

Data Sheet

RT034xxHBLC

Page 3/5

P/N

310861xx

xx=number of poles

2017/01/24

General

solderability	Acc. to JEDEC JESD22-B102E 245°C/5s
Tolerance	ISO 2768 -mH



Data Sheet

RT034xxHBLC

Page 4/5

P/N

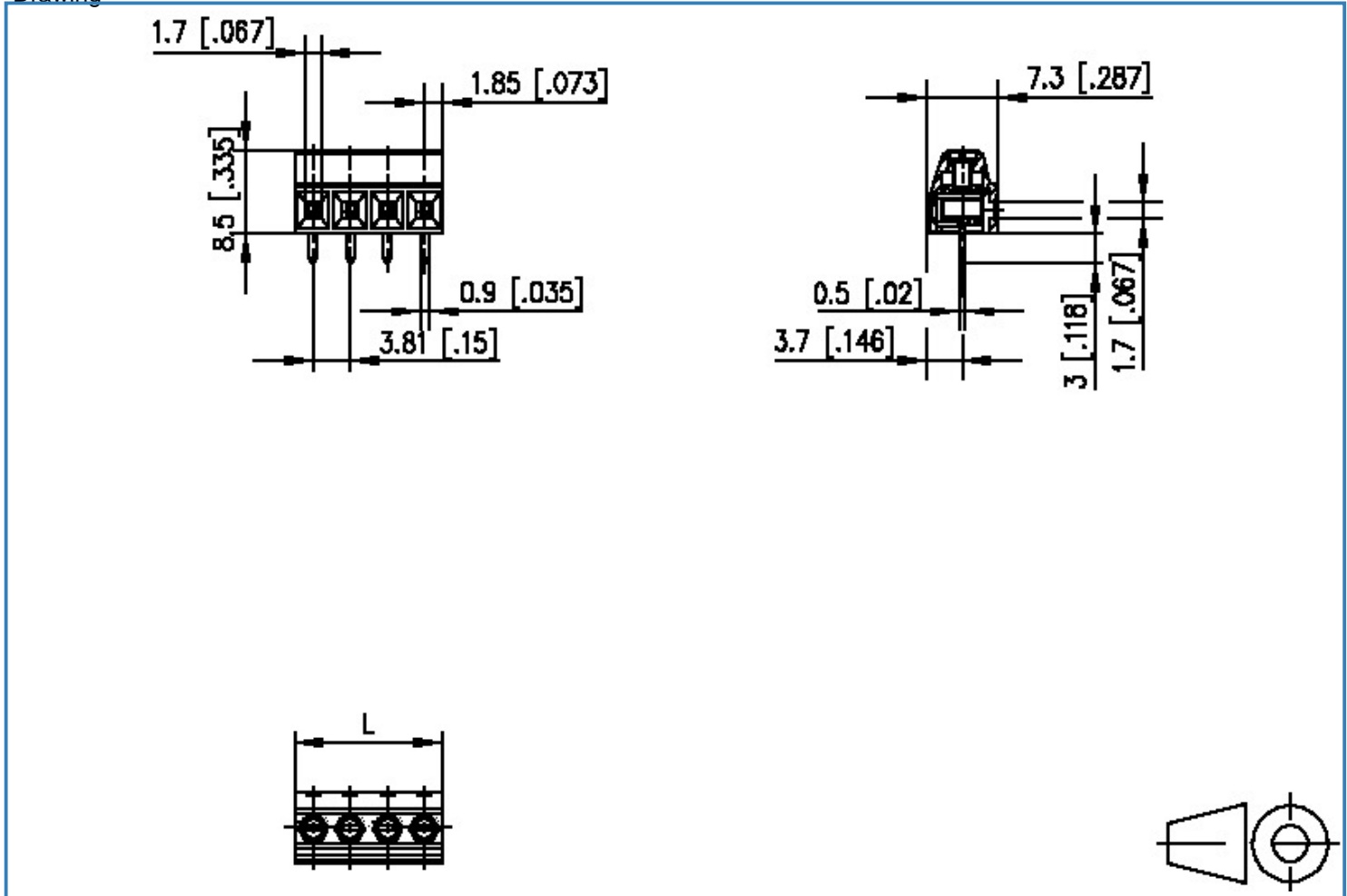
310861xx

xx=number of poles

2017/01/24

Illustration

Drawing



$L = (\text{pole size} - 1) \times \text{centerline} + 3.7 [0.146]$



Data Sheet

RT034xxHBLC

Page 5/5

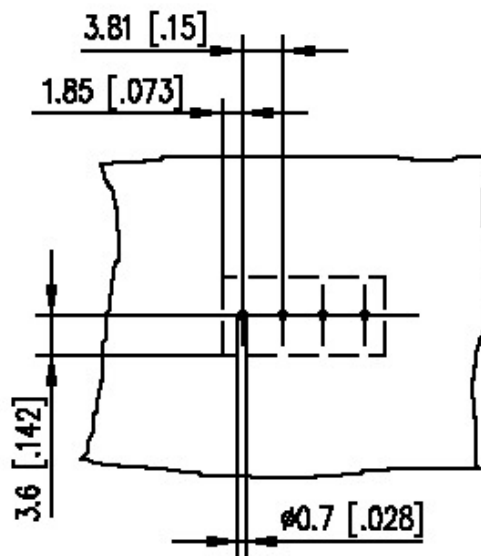
P/N

310861xx

xx=number of poles

2017/01/24

PCB Layout



X-ON Electronics

Largest Supplier of Electrical and Electronic Components

Click to view similar products for Metz manufacturer:

Other Similar products are found below :

[142M4D95050](#) [ASP0631006](#) [4898-454G](#) [4895-454G](#) [4887-454G](#) [4897-454G](#) [ASP0460622](#) [142M2X25005](#) [ASP0440222](#) [1108861321](#)
[1108311319](#) [1108501319](#) [11089313](#) [834HTC-900ML](#) [130920-E](#) [150240C30610E](#) [110304412004](#) [1108831326](#) [150240C30310S](#) [135015-](#)
[SSC-E](#) [1528SBGT19E](#) [1401110012KE](#) [142M2X15010](#) [11085813](#) [810-500](#) [810-50](#) [31336104](#) [ASP0430922](#) [SP06502VBNF](#) [31217103](#)
[142M1D19020](#) [SR99S01VBNN0001](#) [31213102](#) [31251104](#) [AST0820406](#) [1108811319](#) [142M2XB5050](#) [834B-375ML](#) [841ER-1.17L](#)
[31009105](#) [31020205](#) [31024102](#) [31027103](#) [31383106](#) [130922-03-E](#) [130924-E](#) [11027605](#) [1108841319](#) [1108341319](#) [15024AD206-E](#)