

# Data Sheet

## PT115xxHBEC

Page 1/5

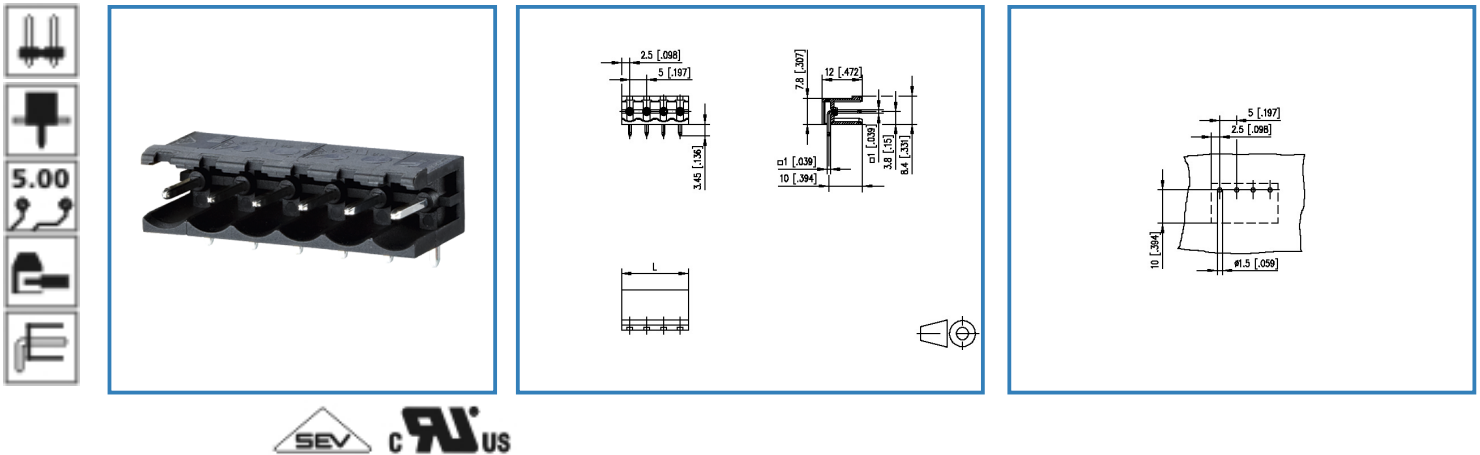
P/N

313291xx

xx=number of poles

2017/01/24

### Illustration



see enlarged drawing at the end of the document

### Product specification

- pin header, solderable
- centerline 5.00 mm, direction of connection 90°
- open ends, fittable without loss of poles
- color black
- codeable

# Data Sheet

## PT115xxHBEC

Page 2/5

P/N

313291xx

xx=number of poles



2017/01/24

### Technical Data

#### General Data

Solder pin length	3.45 mm		
min. number of poles	2		
max. number of poles	24		
Insulating material class	CTI 600		
clearance/creepage dist.	4 mm		
protection category	IP 00		
Overvoltage category	III	III	II
Pollution degree	3	2	2
Rated voltage	320 V	800 V	800 V
Rated test voltage	4 kV	4.0 kV	4 kV

#### Approvals

 V / A	300 / 15
	13.5 A / 320 V / 4 kV / 3 / IEC 61984

#### Material

insulating material	PA66
flammability class	V0
Glow-Wire Flammability GWFI	960
Glow-Wire Flammability GWIT	775
contact pin material	CuFe
contact pin surface	Ni + Ag

#### Climatic properties

upper limit temperature	105 °C
lower limit temperature	-40 °C

#### General

solderability	Acc. to JEDEC JESD22-B102E 245°C/5s
Tolerance	ISO 2768 -mH

# Data Sheet

## PT115xxHBEC

Page 3/5

P/N

313291xx

xx=number of poles

2017/01/24

### Matching Part to

P/N	Product name
313131	RP035xxHBLC Typ 313
313141	RP035xxHBLD Typ 314
313491	RP015xxVBLC Typ 349
313501	RP015xxSBLC Typ 350
ASP045	SP045xxVBNC ASP045
SP065XXVBNC	SP065xxVBNC
SP065XXVBPC	SP065xxVBPC
SP995XXVBNC	SP995xxVBNC

### Accessories

P/N	Product name
700024-01-9	700024
700523-0157 (on request)	Geh_Kappe_swg_Block
700523-0257 (on request)	Geh_Kappe_swg_Block



# Data Sheet

## PT115xxHBEC

Page 4/5

P/N

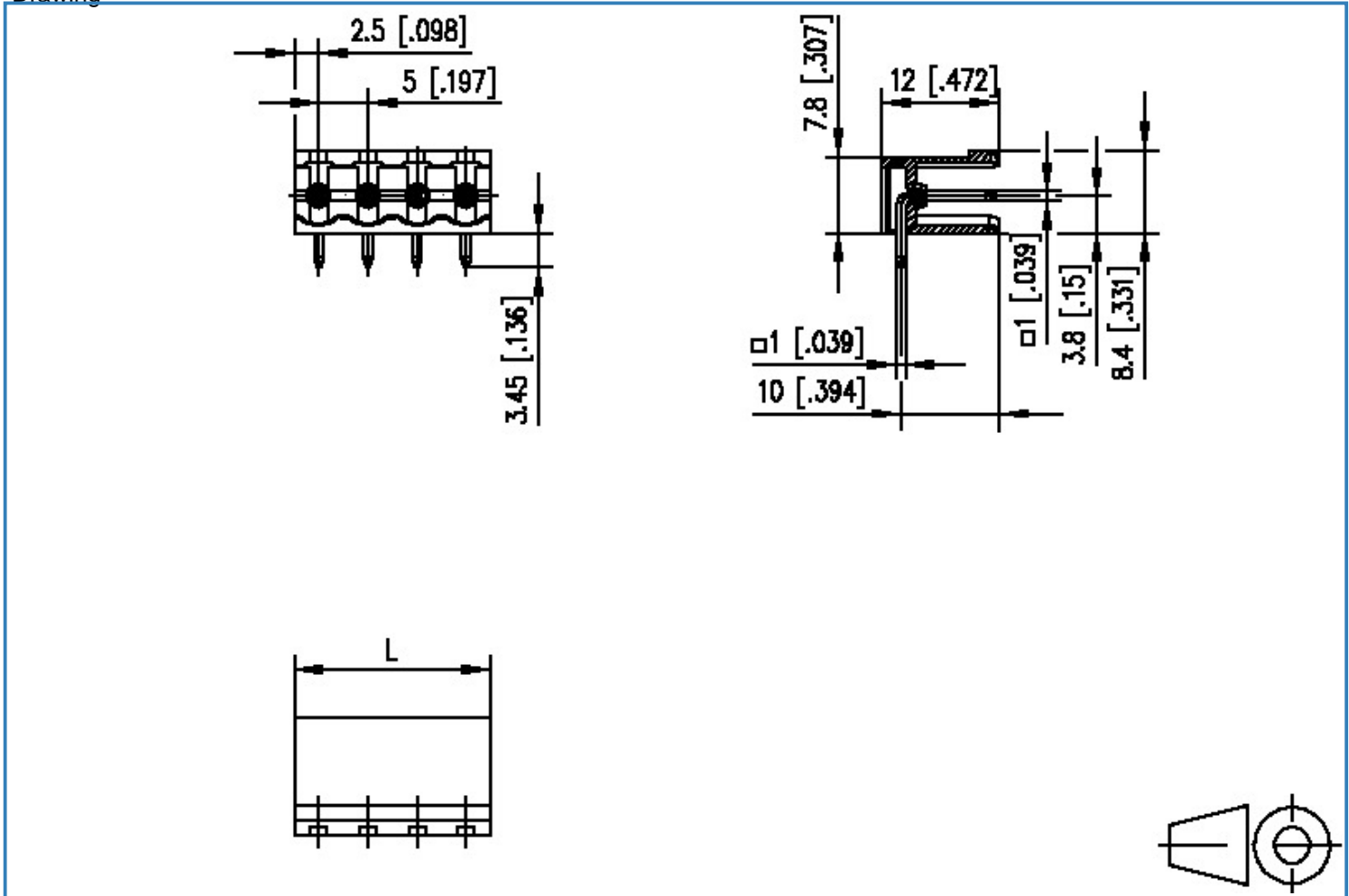
313291xx

xx=number of poles

2017/01/24

### Illustration

Drawing



$$L = (\text{pole size} - 1) \times \text{centerline} + 5 [0.197]$$

# Data Sheet

## PT115xxHBEC

Page 5/5

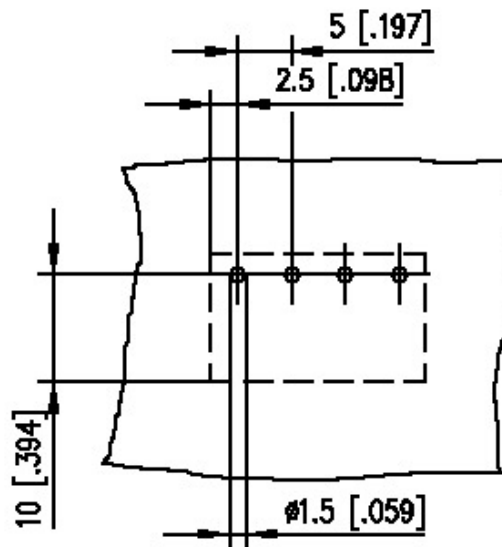
P/N

313291xx

xx=number of poles

2017/01/24

PCB Layout



## X-ON Electronics

Largest Supplier of Electrical and Electronic Components

*Click to view similar products for [Metz manufacturer](#):*

Other Similar products are found below :

[142M4D95050](#) [ASP0631006](#) [4898-454G](#) [4895-454G](#) [4887-454G](#) [4897-454G](#) [ASP0460622](#) [142M2X25005](#) [ASP0440222](#) [1108861321](#)  
[1108311319](#) [1108501319](#) [11089313](#) [834HTC-900ML](#) [130920-E](#) [150240C30610E](#) [110304412004](#) [1108831326](#) [150240C30310S](#) [135015-](#)  
[SSC-E](#) [1528SBGT19E](#) [1401110012KE](#) [142M2X15010](#) [11085813](#) [810-500](#) [810-50](#) [31336104](#) [ASP0430922](#) [SP06502VBNF](#) [31217103](#)  
[142M1D19020](#) [SR99S01VBNN0001](#) [31213102](#) [31251104](#) [AST0820406](#) [1108811319](#) [142M2XB5050](#) [834B-375ML](#) [841ER-1.17L](#)  
[31009105](#) [31020205](#) [31024102](#) [31027103](#) [31383106](#) [130922-03-E](#) [130924-E](#) [11027605](#) [1108841319](#) [1108341319](#) [15024AD206-E](#)