

# Data Sheet

## SP995xxVBNC

Page 1/4

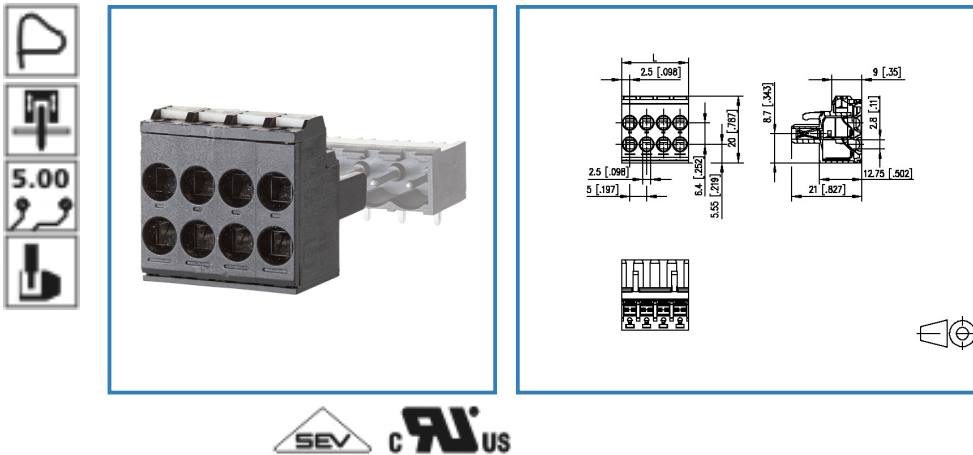
P/N

SP995xxVBNC

xx=number of poles

2017/01/25

### Illustration



see enlarged drawing at the end of the document

### Product specification

- spring clamp terminal block, pluggable
- centerline 5.00 mm, direction of connection vertical 0°
- fittable without loss of poles
- color black
- two connections per pole

# Data Sheet

## SP995xxVBNC

### Technical Data



#### General Data

min. number of poles	2		
max. number of poles	8		
Insulating material class	CTI 600		
clearance/creepage dist.	3.2 mm		
protection category	IP 20		
Overvoltage category	III	III	II
Pollution degree	3	2	2
Rated voltage	250.0 V	630.0 V	630.0 V
Rated test voltage	4.0 kV	4.0 kV	4 kV

#### Connection data

Rated wiring solid wire	0.2 - 2.5 mm <sup>2</sup> / AWG 24 - 14
Rated wiring stranded wire	0.2 - 2.5 mm <sup>2</sup> / AWG 24 - 12

#### Approvals

 V / A / AWG	300 / 12 / 24 - 14
	12 A / 250 V / 4 kV / 3 / IEC 61984 / 0.2 - 2.5 mm <sup>2</sup>

#### Material

insulating material	PA66
flammability class	V0
spring material	Spring steel
contact material	CuSn
Glow-Wire Flammability GWFI	960
Glow-Wire Flammability GWIT	775
contact surface	Sn

#### Climatic properties

upper limit temperature	105 °C
lower limit temperature	-40 °C

#### General

Tolerance	ISO 2768 -mH
-----------	--------------



# Data Sheet

## SP995xxVBNC

Page 3/4

P/N

SP995xxVBNC

xx=number of poles

2017/01/25

### Matching Part

P/N	Product name
310201	PT045xxVBBN Typ 020
314761	PR065xxHBEC Typ 476
313381	PR075xxHBER Typ 338
313371	PR075xxHBEL Typ 337
313301	PT115xxHBBN Typ 330
313291	PT115xxHBEC Typ 329
313201	PT115xxVBBN Typ 320
313191	PT115xxVBEC Typ 319
312801	PT105xxHGDN Typ 280
312781	PT105xxVGDN Typ 278
312761	PT165xxHGDN Typ 276
312741	PT165xxVGDN Typ 274
312701	PT175xxVGDN Typ 270
311771	PR065xxVBBN Typ 177
311761	PR065xxHBBN Typ 176
310321 (on request)	PT045xxHBVN Typ 032
310311	PT045xxHBVC Typ 031
310301	PT045xxHBBN Typ 030
314771	PR065xxVBEC Typ 477

### Accessories

P/N	Product name
700025-01-5 (on request)	F_Kodier_blp
700025-01-9	700025
700025-02-2 (on request)	F_Kodier_swg

# Data Sheet

## SP995xxVBNC

Page 4/4

P/N

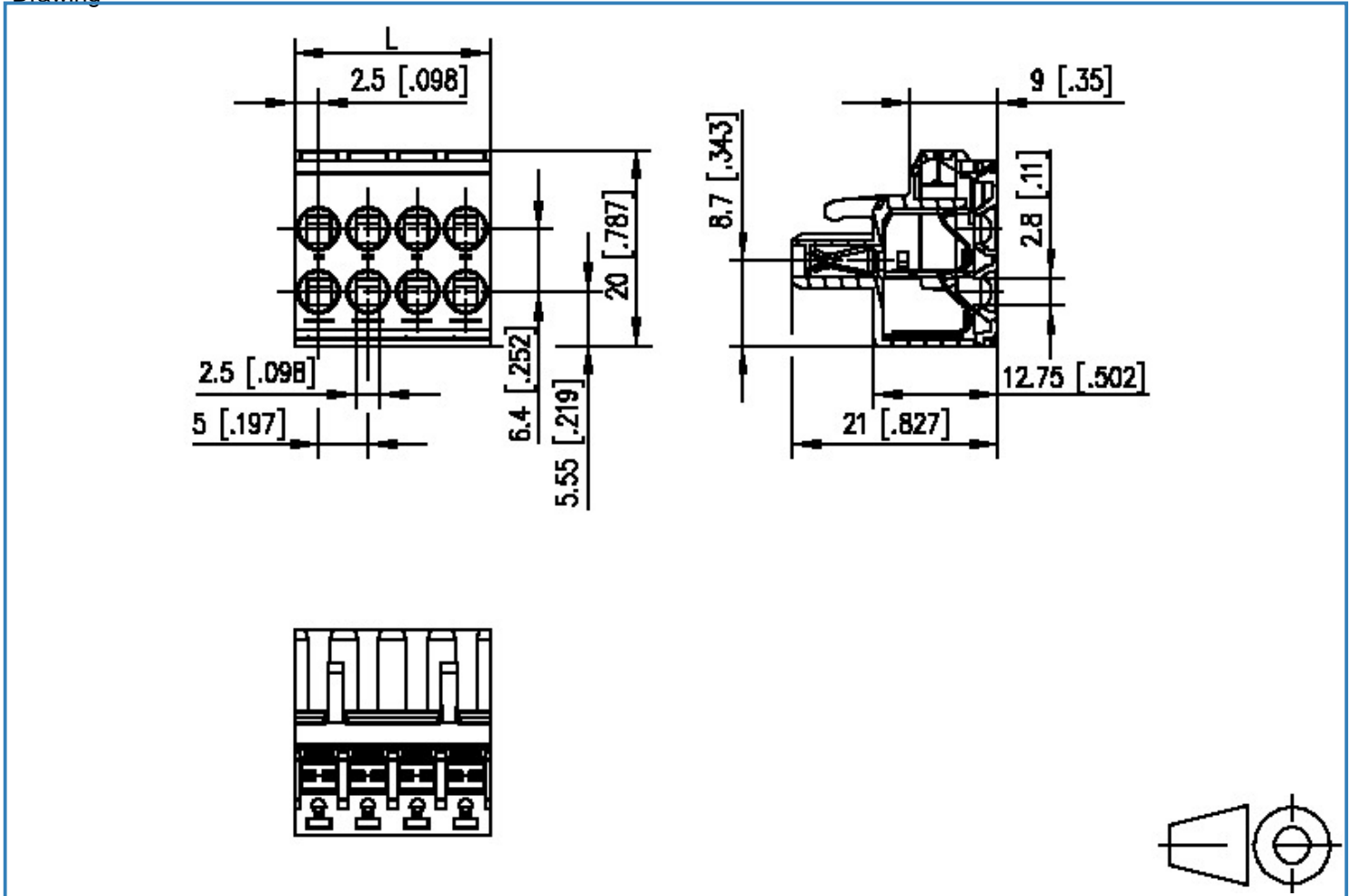
SP995xxVBNC

xx=number of poles

2017/01/25

### Illustration

Drawing



$$L = (\text{pole size} - 1) \times \text{centerline} + 5 [0.197]$$



## X-ON Electronics

Largest Supplier of Electrical and Electronic Components

*Click to view similar products for [Metz manufacturer](#):*

Other Similar products are found below :

[142M4D95050](#) [ASP0631006](#) [4898-454G](#) [4895-454G](#) [4887-454G](#) [4897-454G](#) [ASP0460622](#) [142M2X25005](#) [ASP0440222](#) [1108861321](#)  
[1108311319](#) [1108501319](#) [11089313](#) [834HTC-900ML](#) [130920-E](#) [150240C30610E](#) [110304412004](#) [1108831326](#) [150240C30310S](#) [135015-](#)  
[SSC-E](#) [1528SBGT19E](#) [1401110012KE](#) [142M2X15010](#) [11085813](#) [810-500](#) [810-50](#) [31336104](#) [ASP0430922](#) [SP06502VBNF](#) [31217103](#)  
[142M1D19020](#) [SR99S01VBNN0001](#) [31213102](#) [31251104](#) [AST0820406](#) [1108811319](#) [142M2XB5050](#) [834B-375ML](#) [841ER-1.17L](#)  
[31009105](#) [31020205](#) [31024102](#) [31027103](#) [31383106](#) [130922-03-E](#) [130924-E](#) [11027605](#) [1108841319](#) [1108341319](#) [15024AD206-E](#)