



Features:

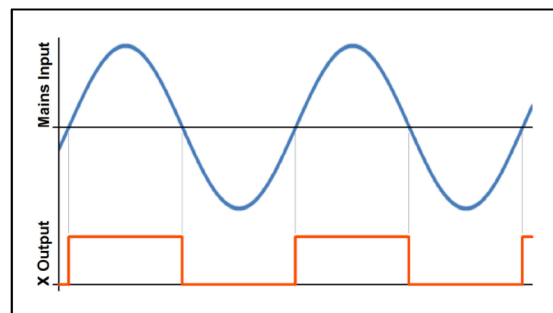
- Zero Crossing Feature - NEW
- 1W Low Profile <15.5mm Height
- MTBF: 1,000,000 Hours
- Wide Input Range: 90 - 305VAC
- Low Standby Power <0.15W
- High Temperature 85°C Full Load
- EMC Compliant - No External Components
- TUV, UL Approved

Part Number	Power Rating Watts	Output Voltage (VDC)	Output Current (mA)	Ambient Temp. (°C)	Efficiency Typical	Voltage Range
VTX-214-001-303X	1	3.3	300	85	>72%	90 - 305VAC
VTX-214-001-305X	1	5	200			
VTX-214-001-306X	1	6	166			
VTX-214-001-307X	1	7.5	133			
VTX-214-001-308X	1	8	125			
VTX-214-001-309X	1	9	111			
VTX-214-001-310X	1	10	100			
VTX-214-001-312X	1	12	83			
VTX-214-001-315X	1	15	66			
VTX-214-001-318X	1	18	55			
VTX-214-001-324X	1	24	42			
VTX-214-001-348X	1	48	21			

Note: Other output voltages are available upon request.

Zero Cross Detection Output

In many applications it is advantageous to synchronize various events to the mains frequency and phase. For example, the efficiency of power Thyristor circuits is increased and component service life is extended, e.g. for relays, if switching occurs at zero-crossing. In addition, sensing applications like those frequently found in the 'Smart Home' market, need to eliminate 50/60 Hz noise, which can be easily accomplished by synchronizing built-in A/D converters with the mains frequency.

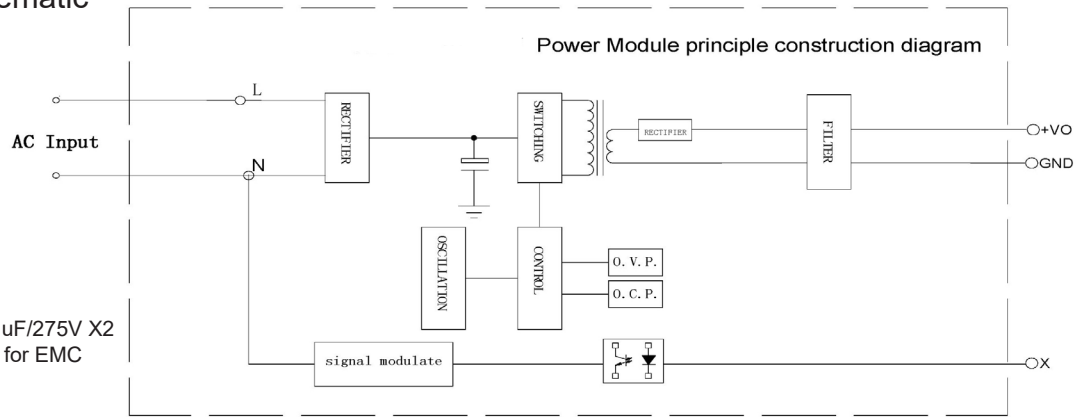


Please contact Vigortronix for any enquiries. Products can be altered to suit custom requirements. The information contained in this document is subject to change without notice.

Model: 1 Watt		Specification
INPUT Pin 1: L Pin 2: N	Voltage Range	90 ~ 305VAC / 47 ~ 63Hz
	Current	200mA Max (100VAC) / 100mA Max (240VAC)
	Inrush Current	5A Max (100VAC) / 10A Max (240VAC)
	No Load power	0.15W Max
	Leakage Current	0.2 mA Max
OUTPUT Pin 3: DC+ Pin 4: 0V Pin 5: Zero Crossing	Voltage Accuracy	3% (3.3VDC 5%)
	Ripple	3% Vout (Vp~p) (3.3VDC 5%)
	Noise	3% Vout (Vp~p) (3.3VDC 5%)
	Efficiency @ 230VAC	>72%
	Minimum Load	0
Protection	Over Power	Hiccup mode
	Over Voltage	Hiccup mode
	Short Circuit Protection	Hiccup mode
Dielectric Isolation	Input to Output	3600Vrms
Environment	Operating Temperature	-25°C ~ +85°C (See Derating Curve)
	Storage Temperature	-40°C ~ +105°C
	MTBF	>1,000,000Hrs @ 25°C (MIL-HDBK-217F)
	Weight	24g
Safety	Agency Standards	Compliance with IEC60950-1, EN60950-1, IEC61558-1 EN61558-1, EN61558-2-6, EN61558-2-17
EMC	EMI	Compliance with EN55022 Class B, EN61000-3-2, 3
	EMS	Compliance with EN55024, EN55014-1, EN55014-2, EN61000-4-2,3,4,5,6,8,11 Class A, (Surge L-N: 1KV),

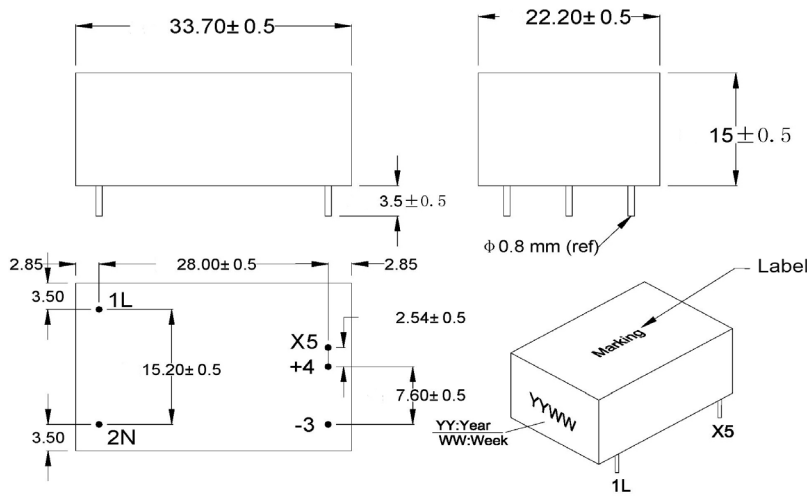
Please contact Vigortronix for any enquiries. Products can be altered to suit custom requirements.
The information contained in this document is subject to change without notice.

Converter Schematic



Notes:
It is optional to fit a 0.1uF/275V X2 Capacitor on the Input for EMC

Dimensions:



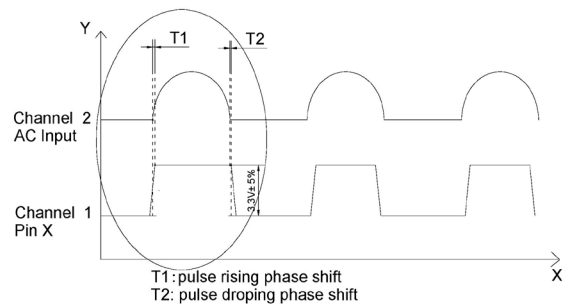
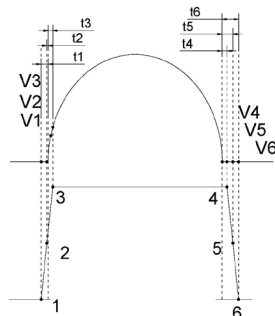
NO.	Pin connect	Function
1	AC_L	AC Input L
2	AC_N	AC Input N
3	DC-	Output Negative
4	DC+	Output Positive
5	X	Zero crossing detection Pin Terminal

Unit weight: 24g

Phase Shift

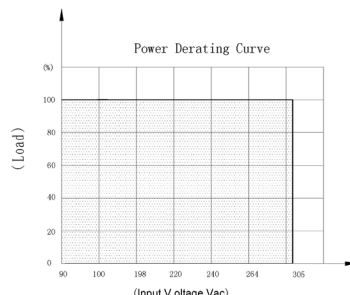
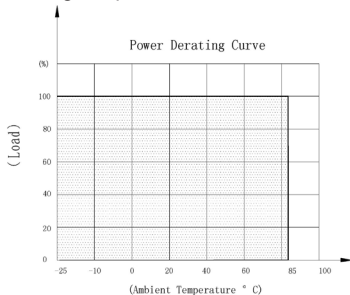
AC Input	RISE SHFT(typ.)	DROP SHFT(typ.)
90Vac	32us	244us
110Vac	60us	226us
230Vac	176us	128us
250Vac	184us	118us
277Vac	196us	114us
300Vac	216us	104us

NO.	Vac Value(typ.)	Phase Shift(typ.)
1	V1:0V	t1:-54us
2	V2:0V	t2:-18us
3	V3:16.6V	t3:160us
4	V4:0V	t4:126us
5	V5:0V	t5:131us
6	V6:0V	t6:233us



Phase shift: When input AC signal crossing X axis, the output zero crossing detection signal pulse reversal, the delta-T between the two signal. Where: a. Pulse rising edge shift @ VAc=0 : AC Signal from 0 voltage to max value. Here is T1. b. Pulse dropping edge shift @ VAc=0 Single from max value to 0 Voltage Here is T2

Derating Graph:



Optional Universal PCB mounting kit.

Part Number:

VTX-214-PCB2



Please contact Vigortronix for any enquiries. Products can be altered to suit custom requirements. The information contained in this document is subject to change without notice.

Vigortronix, 16 De Havilland Way, Witney, Oxfordshire, OX29 0YG, UK

Tel. +44 (0)1993 777570 Fax. +44 (0)1993 777580 Web. www.vigortronix.com E-mail: sales@vigortronix.com

Vigortronix is a trading name of Vigortronix (UK) Limited

X-ON Electronics

Largest Supplier of Electrical and Electronic Components

Click to view similar products for [Vigortronix](#) manufacturer:

Other Similar products are found below :

[VTX-146-160-215](#) [VTX-146-160-224](#) [VTX-120-003-615](#) [VTX-214-001-106](#) [VTX-214-003-206](#) [VTX-214-010-107](#) [VTX-214-005-415](#)
[VTX-214-005-0515](#) [VTX-121-3023-206](#) [VTX-121-3023-224](#) [VTX-146-015-224](#) [VTX-146-030-209](#) [VTX-146-030-218](#) [VTX-146-080-215](#)
[VTX-146-500-235](#) [VTX-214-020-112](#) [VTX-214-006-106](#) [VTX-214-001-124](#) [VTX-214-010-209](#) [VTX-134-002](#) [VTX-214-003-306](#) [VTX-](#)
[214-003-307](#) [VTX-214-015-224](#) [VTX-214-0005-107](#) [VTX-121-3023-409](#) [VTX-146-015-215](#) [VTX-146-030-212](#) [VTX-146-050-206](#) [VTX-](#)
[146-060-206](#) [VTX-146-060-212](#) [VTX-146-080-218](#) [VTX-146-120-218](#) [VTX-146-300-212](#) [VTX-146-300-235](#) [VTX-146-625-240](#) [VTX-214-](#)
[030-105](#) [VTX-214-005-109](#) [VTX-214-003-212](#) [VTX-214-002-115](#) [VTX-214-006-112](#) [VTX-214-005-403](#) [VTX-214-005-0524](#) [VTX-214-001-](#)
[305](#) [VTX-214-002-312X](#) [VTX-121-3023-209](#) [VTX-146-015-209](#) [VTX-146-050-224](#) [VTX-146-100-218](#) [VTX-146-120-212](#) [VTX-186-500](#)