



Features:

- 3W Low Profile <15.5mm Height
- MTBF: 1,000,000 Hours
- Wide Input Range: 90 - 305VAC
- Low Standby Power <0.15W
- High Temperature 85°C Full Load
- EMC Compliant - No External Components
- TUV, UL Approved

Part Number	Power Rating Watts	Output Voltage (VDC)	Output Current (mA)	Ambient Temp. (°C)	Efficiency Typical	Voltage Range
VTX-214-003-303	3	3.3	900	85	>72%	90 - 305VAC
VTX-214-003-305	3	5	600			
VTX-214-003-306	3	6	500			
VTX-214-003-307	3	7.5	400			
VTX-214-003-308	3	8	375			
VTX-214-003-309	3	9	333			
VTX-214-003-310	3	10	300			
VTX-214-003-312	3	12	250			
VTX-214-003-315	3	15	200			
VTX-214-003-318	3	18	166			
VTX-214-003-324	3	24	125			
VTX-214-003-348	3	48	62			

Note: Other output voltages are available upon request.

Optional Universal PCB mounting kit.

Part Number:
VTX-214-PCB2

Farnell Part:
Rapid Electronics Part:
Maplin Part:

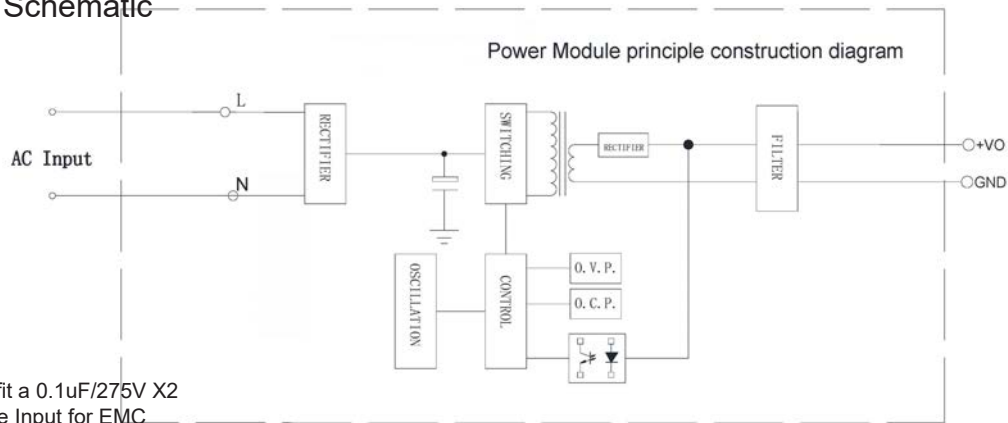


Please contact Vigortronix for any enquiries. Products can be altered to suit custom requirements.
The information contained in this document is subject to change without notice.

Model: 3 Watt		Specification
INPUT Pin 1: L Pin 2: N	Voltage Range	90 ~ 305VAC / 47 ~ 63Hz
	Current	3.5W Max (100VAC/240VAC)
	Inrush Current	5A Max (100VAC) / 10A Max (240VAC)
	No Load power	0.15W Max
	Leakage Current	0.2 mA Max
OUTPUT Pin 5: DC+ Pin 4: 0V	Voltage Accuracy	3% (3.3VDC 5%)
	Ripple	3% Vout (Vp~p) (3.3VDC 5%)
	Noise	3% Vout (Vp~p) (3.3VDC 5%)
	Efficiency @ 230VAC	>72%
	Minimum Load	0
Protection	Over Power	Hiccup mode
	Over Voltage	Hiccup mode
	Short Circuit Protection	Hiccup mode
Dielectric Isolation	Input to Output	3600Vrms
Environment	Operating Temperature	-25°C ~ +85°C (See Derating Curve)
	Storage Temperature	-40°C ~ +105°C
	MTBF	>1,000,000Hrs @ 25°C (MIL-HDBK-217F)
	Weight	29g
Safety	Agency Standards	Compliance with IEC60950-1, EN60950-1, IEC61558-1, EN61558-1, EN61558-2-6, EN61558-2-17
EMC	EMI	Compliance with EN55022 Class B, EN61000-3-2, 3
	EMS	Compliance with EN55024, EN55014-1, EN55014-2, EN61000-4-2,3,4,5,6,8,11 Class A, (Surge L-N: 1KV),

Please contact Vigortronix for any enquiries. Products can be altered to suit custom requirements.
The information contained in this document is subject to change without notice.

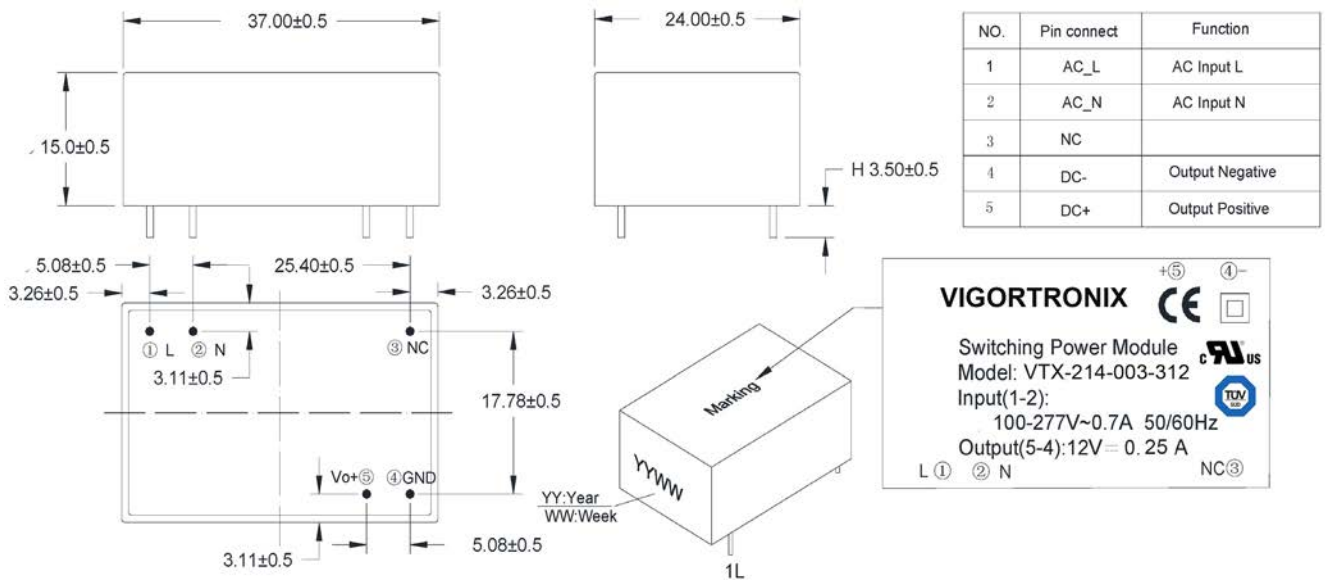
Converter Schematic



Notes:

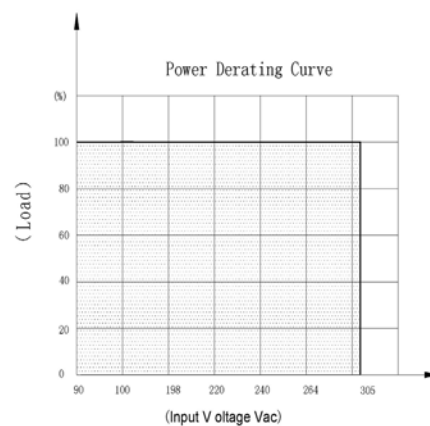
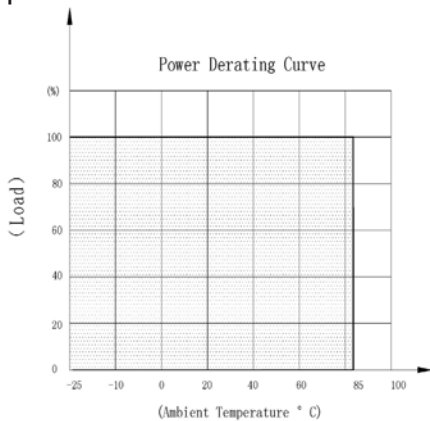
It is optional to fit a 0.1uF/275V X2 Capacitor on the Input for EMC

Dimensions:



Derating Graph:

Unit weight: 29g



Please contact Vigortronix for any enquiries. Products can be altered to suit custom requirements. The information contained in this document is subject to change without notice.

Vigortronix, 16 De Havilland Way, Witney, Oxfordshire, OX29 0YG, UK

Tel. +44 (0)1993 777570 Fax. +44 (0)1993 777580 Web. www.vigortronix.com E-mail: sales@vigortronix.com

Vigortronix is a trading name of Vigortronix (UK) Limited

X-ON Electronics

Largest Supplier of Electrical and Electronic Components

Click to view similar products for [Vigortronix](#) manufacturer:

Other Similar products are found below :

[VTX-146-160-215](#) [VTX-146-160-224](#) [VTX-120-003-615](#) [VTX-214-001-106](#) [VTX-214-003-206](#) [VTX-214-010-107](#) [VTX-214-005-415](#)
[VTX-214-005-0515](#) [VTX-121-3023-206](#) [VTX-121-3023-224](#) [VTX-146-015-224](#) [VTX-146-030-209](#) [VTX-146-030-218](#) [VTX-146-080-215](#)
[VTX-146-500-235](#) [VTX-214-020-112](#) [VTX-214-006-106](#) [VTX-214-001-124](#) [VTX-214-010-209](#) [VTX-134-002](#) [VTX-214-003-306](#) [VTX-](#)
[214-003-307](#) [VTX-214-015-224](#) [VTX-214-0005-107](#) [VTX-121-3023-409](#) [VTX-146-015-215](#) [VTX-146-030-212](#) [VTX-146-050-206](#) [VTX-](#)
[146-060-206](#) [VTX-146-060-212](#) [VTX-146-080-218](#) [VTX-146-120-218](#) [VTX-146-300-212](#) [VTX-146-300-235](#) [VTX-146-625-240](#) [VTX-214-](#)
[030-105](#) [VTX-214-005-109](#) [VTX-214-003-212](#) [VTX-214-002-115](#) [VTX-214-006-112](#) [VTX-214-005-403](#) [VTX-214-005-0524](#) [VTX-214-001-](#)
[305](#) [VTX-214-002-312X](#) [VTX-121-3023-209](#) [VTX-146-015-209](#) [VTX-146-050-224](#) [VTX-146-100-218](#) [VTX-146-120-212](#) [VTX-186-500](#)