



Features:

- 15W Single Output - Regulated
- Output Range: 3.3V - 48VDC
- Input: 90 - 265VAC , 47 - 63Hz
- Low Standby Power <0.3W
- Low Ripple & Noise
- Encapsulated Design
- Fully Isolated Pri - Sec >4200Vrms
- Insulation: Class II
- Materials: UL94-V0
- Safety: EN61558, EN60950, CE,

Part Number	Power Rating Watts	Output Voltage (Vdc)	Output Current (mA)	Ambient Temp. (°C)	Efficiency Typical	Input Range
VTX-214-015-203	15	3.3	4500	70	>78%	90 - 265VAC
VTX-214-015-205	15	5	3000			
VTX-214-015-206	15	6	2500			
VTX-214-015-207	15	7.5	2000			
VTX-214-015-208	15	8	1875			
VTX-214-015-209	15	9	1660			
VTX-214-015-210	15	10	1500			
VTX-214-015-212	15	12	1250			
VTX-214-015-215	15	15	1000			
VTX-214-015-218	15	18	833			
VTX-214-015-224	15	24	625			
VTX-214-015-248	15	48	321			

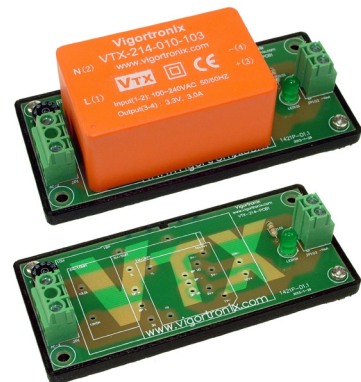
Note: Other output voltages are available upon request.

Optional Universal PCB mounting kit.

Part Number:

VTX-214-PCB1*

*Check datasheet for Compatibility



Please contact Vigortronix for any enquiries. Products can be altered to suit custom requirements. The information contained in this document is subject to change without notice.

Vigortronix, 16 De Havilland Way, Witney, Oxfordshire, OX29 0YG, UK

Tel. +44 (0)1993 777570 Fax. +44 (0)1993 777580 Web. www.vigortronix.com E-mail: sales@vigortronix.com

Vigortronix is a trading name of Vigortronix (UK) Limited

Model: 15Watt		Specification
INPUT Pin 1: L Pin 2: N	Voltage Range	90 - 264VAC / 47 - 63Hz
	Current	250mA Max (100VAC) / 150mA Max (240VAC)
	Inrush Current	20A Max (100VAC) / 40A Max (240VAC)
	No Load power	0.3W Max
	Leakage Current	0.3 mA Max
OUTPUT Pin 3: DC+ Pin 4: DC-	Voltage Accuracy	+/- 3%
	Ripple	<250mV Max (Vp-p)
	Noise	<3% Vout Max (Vp-p)
	Efficiency	>78%
	Minimum Load	0
Protection	Over Power	Hiccup mode
	Over Voltage	Hiccup mode
	Short Circuit Protection	Hiccup mode
Dielectric Isolation	Input to Output	3600Vrms, 5mA 1 Min (4200Vrms/2Sec)
Environment	Operating Temperature	-25°C - +70°C (Full Load)
	Storage Temperature	-40°C - +105°C
	MTBF	>300,000Hrs @ 25°C (MIL-HDBK-217F)
	Weight	65g
Safety	Agency Approval	EN60950-1, EN61558-1, EN61558-2-6, EN61558-2-16:2013, EN61558-2-17
EMC	EMI	Compliance with EN55022 Class B
	EMS	Compliance with EN55024, EN55014-1, EN55014-2, EN61000-3-2 Class A, EN61000-3-3

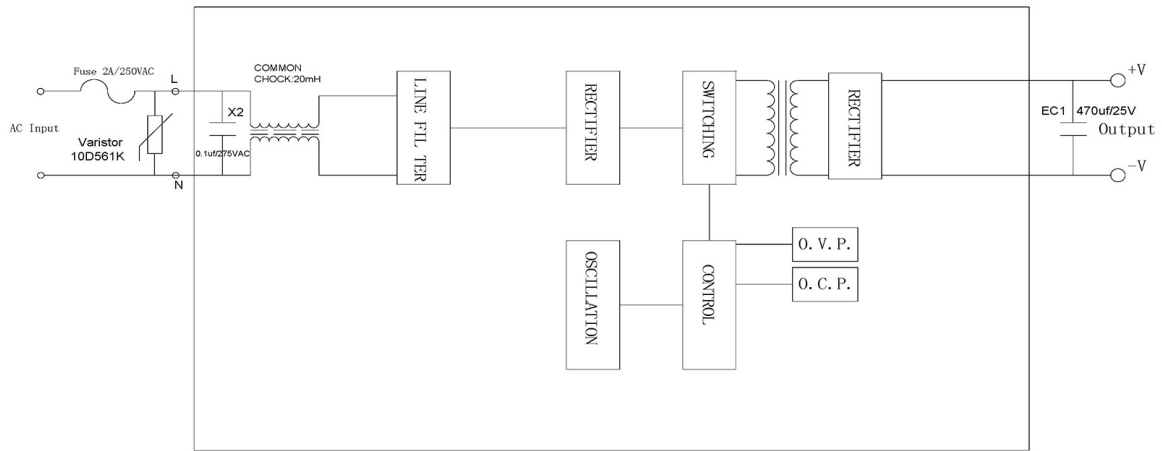
Please contact Vigortronix for any enquiries. Products can be altered to suit custom requirements.
 The information contained in this document is subject to change without notice.

Vigortronix, 16 De Havilland Way, Witney, Oxfordshire, OX29 0YG, UK

Tel. +44 (0)1993 777570 Fax. +44 (0)1993 777580 Web. www.vigortronix.com E-mail: sales@vigortronix.com

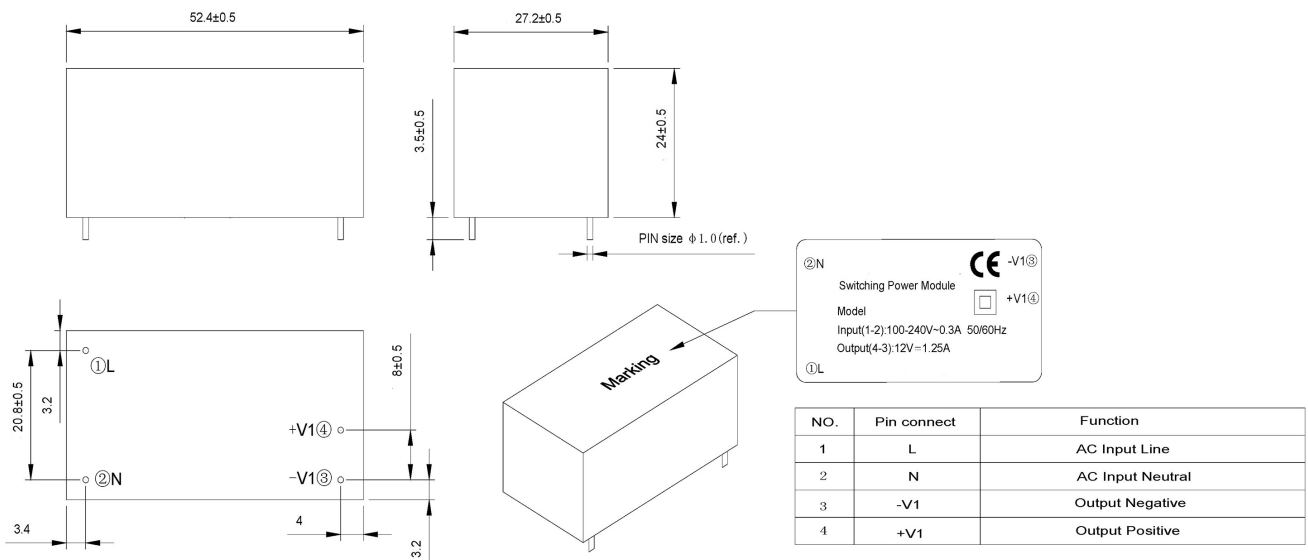
Vigortronix is a trading name of Vigortronix (UK) Limited

Recommended Application Schematic for EMC

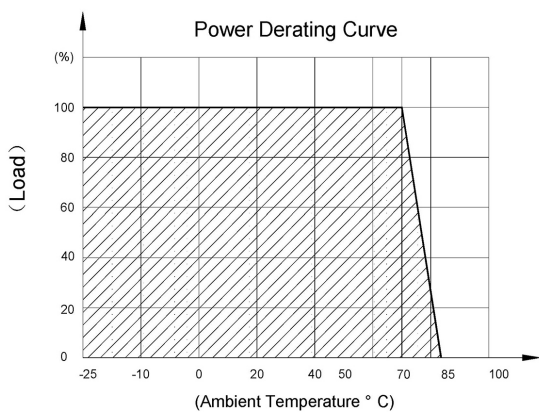


Notes:

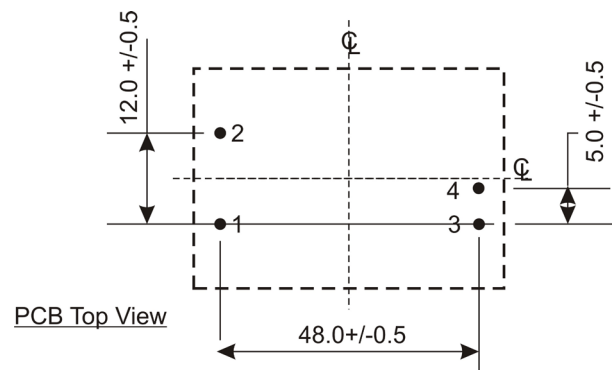
If Surge protection is required it is recommended to fit a Varistor, similar to 14D431K



Derating Graph



PCB Layout



Recommended PCB
Hole size: 1.5mm Dia.

Unit weight: 65g

Please contact Vigortronix for any enquiries. Products can be altered to suit custom requirements.
The information contained in this document is subject to change without notice.

Vigortronix, 16 De Havilland Way, Witney, Oxfordshire, OX29 0YG, UK

Tel. +44 (0)1993 777570 Fax. +44 (0)1993 777580 Web. www.vigortronix.com E-mail: sales@vigortronix.com

Vigortronix is a trading name of Vigortronix (UK) Limited

X-ON Electronics

Largest Supplier of Electrical and Electronic Components

Click to view similar products for [Vigortronix](#) manufacturer:

Other Similar products are found below :

[VTX-146-160-215](#) [VTX-146-160-224](#) [VTX-120-003-615](#) [VTX-214-001-106](#) [VTX-214-003-206](#) [VTX-214-010-107](#) [VTX-214-005-415](#)
[VTX-214-005-0515](#) [VTX-121-3023-206](#) [VTX-121-3023-224](#) [VTX-146-015-224](#) [VTX-146-030-209](#) [VTX-146-030-218](#) [VTX-146-080-215](#)
[VTX-146-500-235](#) [VTX-214-020-112](#) [VTX-214-006-106](#) [VTX-214-001-124](#) [VTX-214-010-209](#) [VTX-134-002](#) [VTX-214-003-306](#) [VTX-](#)
[214-003-307](#) [VTX-214-015-224](#) [VTX-214-0005-107](#) [VTX-121-3023-409](#) [VTX-146-015-215](#) [VTX-146-030-212](#) [VTX-146-050-206](#) [VTX-](#)
[146-060-206](#) [VTX-146-060-212](#) [VTX-146-080-218](#) [VTX-146-120-218](#) [VTX-146-300-212](#) [VTX-146-300-235](#) [VTX-146-625-240](#) [VTX-214-](#)
[030-105](#) [VTX-214-005-109](#) [VTX-214-003-212](#) [VTX-214-002-115](#) [VTX-214-006-112](#) [VTX-214-005-403](#) [VTX-214-005-0524](#) [VTX-214-001-](#)
[305](#) [VTX-214-002-312X](#) [VTX-121-3023-209](#) [VTX-146-015-209](#) [VTX-146-050-224](#) [VTX-146-100-218](#) [VTX-146-120-212](#) [VTX-186-500](#)