

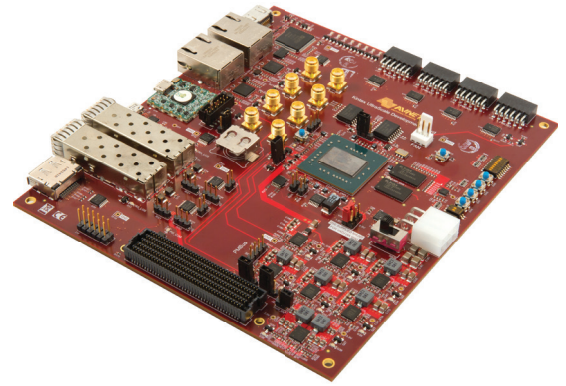
The Xilinx Kintex® UltraScale™ Development Kit provides a complete development platform for designing and verifying applications based on the Xilinx Kintex UltraScale All Programmable FPGA devices. The Xilinx Kintex UltraScale development board packages all the necessary functions needed for an embedded processing system.

Available with the Kintex UltraScale XCKU040-1FBVA676 device, the Kintex UltraScale kit enables designers to prototype high-performance designs with ease, while providing expandability and customization through the FMC HPC expansion slot and PMOD headers. In addition to the Xilinx Kintex UltraScale XCKU040 device, the Kintex UltraScale development board features 1GB DDR4 SDRAM, two SFP+ interfaces, dual QSPI Flash memories, HDMI interface, LVDS touch panel interface, two 10/100/1000 Ethernet PHYs, and a USB-UART port.

FEATURES

- Xilinx XCKU040-1FBVA676 FPGA
- 1GB DDR4 SDRAM (x32 @ 1600Mbps)
- 32MB of Configuration QSPI Flash (single QSPI x4)
- 32MB of User Code/Data QSPI Flash (single QSPI x4)
- Two 10/100/1000 Ethernet Interfaces (RGMII)
- USB-UART Interface
- FMC HPC Slot (VADJ of 1.8V, 2.5V, or 3.3V)
- Two SFP+ Interfaces (up to 12.5Gbps)
- Two GTH SMA Interfaces (up to 12.5Gbps)
- LVDS Touch Panel Interface
- Four PMOD headers
- HDMI Interface
- 8 User LEDs
- 5 User Push Switches
- 8 User DIP Switches
- Programmable LVDS Clock Source (GTH reference clock)
- 250 MHz LVDS Oscillator (system clock)
- JTAG Header
- SYSMON Header
- Digilent USB-JTAG Module (JTAG-SMT2)

To purchase this kit, visit avnet.com/us/ku040-Dev



TARGET APPLICATIONS

- Embedded controllers
- General-purpose prototyping
- Networking and communications
- Storage and servers
- Video applications

KIT INCLUDES

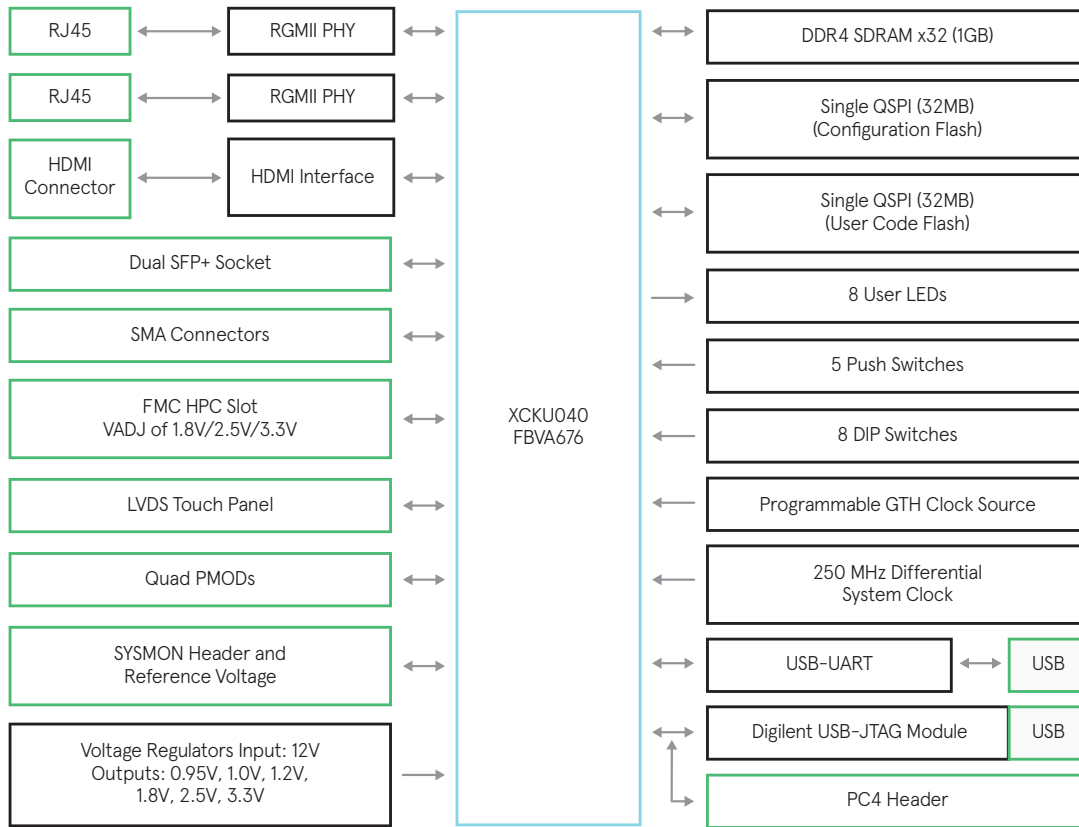
Hardware

- Avnet Kintex UltraScale Development Board
 - XCKU040-1FBVA676 Kintex UltraScale FPGA device
- Ethernet and USB A-mini-B Cables (2)
- 12V Power Supply (US/UK/Euro AC cords)

Software Tools

- Xilinx Vivado: Design Edition (Device locked to XCKU040)

BLOCK DIAGRAM



FEATURED MANUFACTURERS



PARTS

Part Number	Description	Resale
AES-KU040-DB-G	Kintex UltraScale Development Board	

CONTACT INFORMATION

North America
 2211 S 47th Street
 Phoenix, Arizona 85034
 United States of America
 eval.kits@avnet.com
 1-800-585-1602

Europe
 Gruber Str. 60c
 85586 Poing
 Germany
 marketing@silica.com
 +49-8121-77702

Japan
 Yebisu Garden Place Tower, 23F
 4-20-3 Ebisu, Shibuya-ku
 Tokyo 150-6023 Japan
 eval-kits-jp@avnet.com
 +81-(0)3-5792-8210

Asia
 151 Lorong Chuan
 #06-03 New Tech Park
 Singapore 556741
 XilinxAPAC@avnet.com
 +65-6580-6000

X-ON Electronics

Largest Supplier of Electrical and Electronic Components

Click to view similar products for [Avn Engineering](#) manufacturer:

Other Similar products are found below :

[AES-PMOD-TPM20-SLB9670-G](#) [AES-FM-S14](#) [AES-MINI-ITX-7Z100-SYS-G](#) [AES-KCU-JESD-G](#) [102-03](#) [AES-FM-S18](#) [AES-ATT-M14A2A-IOT-SK-AWS-G](#) [105-01](#) [105-011](#) [AES-MINI-ITX-7Z045-BAS-G](#) [103-01](#) [102-02](#) [103-02](#) [AES-SLP-12V5A-G](#) [101-03](#) [AES-ZUEV-CC-G](#) [AES-MINI-ITX-7Z100-G](#) [AES-MBCC-IO-G](#) [AES-EVB-BCM4343W-G](#) [AES-MINI-ITX-7Z045-SYS-G](#) [AES-FMC-HDMI-CAM-G](#) [AES-FXA120W-F-M400](#) [AES-Z7MB-7Z010-SBC-I-G](#) [AES-FMC-MC4-AR0231AT-G](#) [AES-ATT-M18Q2FG-SK-G](#) [AES-ZUIOCC-G](#) [AES-ZU7EV-1-SOM-G](#) [AES-CAM-ON-P1300C-G](#) [AES-MS-MT3620-M-G](#) [AES-S32V-NXP-G](#) [AES-A7MB-7A35T-G](#) [AES-FMC-ISMNET2-G](#) [AES-Z7EV-7Z020-G](#) [AES-ZU7EV-1-SK-G](#) [AES-MMP-BB2-G](#) [AES-ULTRA96-V2-I-G](#) [VT-SK-002-A01](#) [AES-ATT-IMA3-IOT-STM32L4-SK-G](#) [L02-027-1000-Z-ZZZZ_V2](#) [AES-BG96-IOT-SK2-PROMO](#) [AES-ZBDB-ADPT-G](#) [AES-MINI-ITX-7Z045-G-466](#) [AES-SHLD-BLEWF-G](#) [AES-Z7PZ-7Z010-SOM-G/REV-E](#) [AES-PMOD-MUR-1DX-G](#) [AES-ACC-U96-ME-MEZ](#) [AES-ZU7EV-1-SOM-I-G](#) [AES-ACC-MAAX-CAM1](#) [AES-Z7MB-7Z010-SOM-G/REV-G](#) [AES-MBCC-BRK-G](#)