

ZedBoard™ is a low-cost development board for the Xilinx Zynq®-7000 All Programmable SoC. This board contains everything necessary to create a Linux, Android, Windows® or other OS/RTOS-based design. Additionally, several expansion connectors expose the processing system and programmable logic I/Os for easy user access. Take advantage of the Zynq-7000 AP SoC's tightly coupled ARM® processing system and 7 series programmable logic to create unique and powerful designs with ZedBoard. ZedBoard is supported by the [zedboard.org](http://zedboard.org) community website where users can collaborate with other engineers also working on Zynq designs.

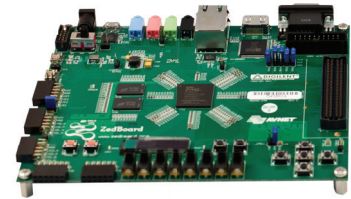
## FEATURES

- Zynq®-7000 All Programmable SoC XC7Z020-CLG484-1
- Memory
  - 512 MB DDR3
  - 256 Mb Quad-SPI Flash
  - 4 GB SD card
- Onboard USB-JTAG Programming
- 10/100/1000 Ethernet
- USB OTG 2.0 and USB-UART
- PS & PL I/O expansion
- (FMC, Pmod™ Compatible, XADC)
- Multiple displays (1080p HDMI, 8-bit VGA, 128 x 32 OLED)
- I2S Audio CODEC

## TARGET APPLICATIONS

- Video processing
- Motor control
- Software acceleration
- Linux/Android/RTOS development
- Embedded ARM® processing
- General Zynq®-7000 All Programmable SoC prototyping

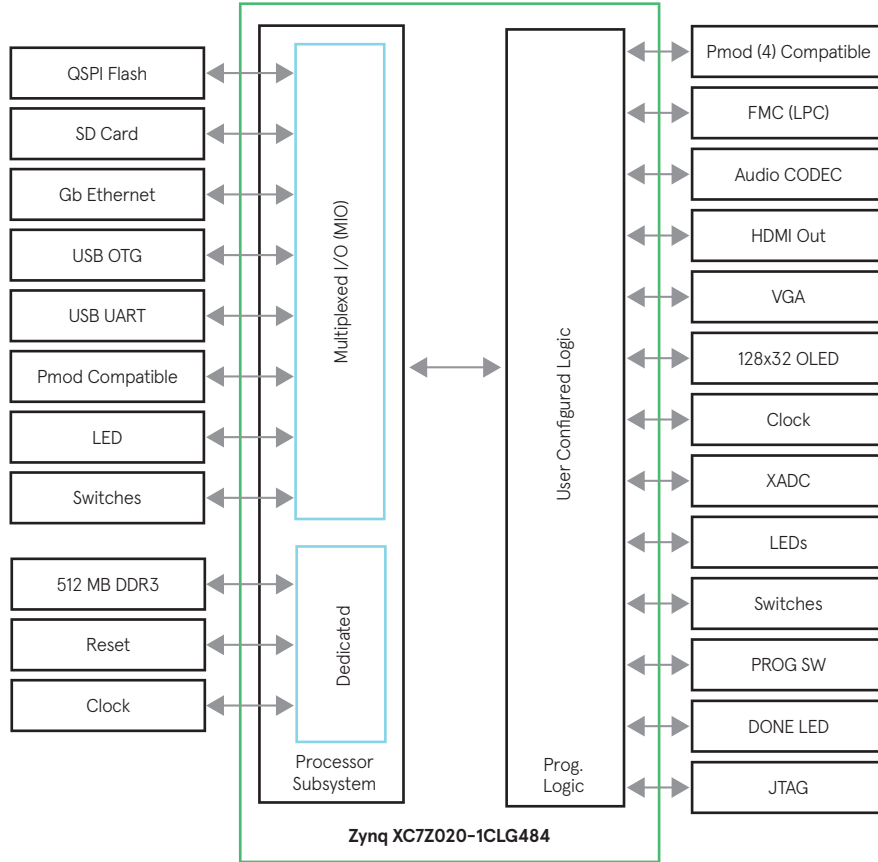
To purchase this kit, visit [www.zedboard.org](http://www.zedboard.org)



## KIT INCLUDES

- Avnet ZedBoard 7020 baseboard
- 12 V power supply
- 4 GB SD Card
- Micro-USB cable
- USB Adapter: Male Micro-B to Female Standard-A
- Getting Started Guide
- Xilinx Vivado® Design Edition license voucher (device locked to 7Z020)

## BLOCK DIAGRAM



## FEATURED MANUFACTURERS



## SPONSORS



## PARTS

Part Number	Description	Resale
AES-Z7EV-7Z020-G	ZedBoard Commercial Edition (Available Exclusively from Avnet)	
ZEDBOARD	ZedBoard Academic Edition (Available Exclusively from Digilent)	

Countries Available for Purchase: Americas, EMEA, Asia, Japan

## CONTACT INFORMATION

**North America**  
 2211 S 47<sup>th</sup> Street  
 Phoenix, Arizona 85034  
 United States of America  
 eval.kits@avnet.com  
 1-800-585-1602

**Europe**  
 Gruber Str. 60c  
 85586 Poing  
 Germany  
 marketing@silica.com  
 +49-8121-77702

**Japan**  
 Yebisu Garden Place Tower, 23F  
 4-20-3 Ebisu, Shibuya-ku  
 Tokyo 150-6023 Japan  
 eval-kits-jp@avnet.com  
 +81-(0)3-5792-8210

**Asia**  
 151 Lorong Chuan  
 #06-03 New Tech Park  
 Singapore 556741  
 XilinxAPAC@avnet.com  
 +65-6580-6000

## X-ON Electronics

Largest Supplier of Electrical and Electronic Components

*Click to view similar products for [Avn Engineering](#) manufacturer:*

Other Similar products are found below :

[AES-PMOD-TPM20-SLB9670-G](#) [AES-FM-S14](#) [AES-MINI-ITX-7Z100-SYS-G](#) [AES-KCU-JESD-G](#) [102-03](#) [AES-FM-S18](#) [AES-ATT-M14A2A-IOT-SK-AWS-G](#) [105-01](#) [105-011](#) [AES-MINI-ITX-7Z045-BAS-G](#) [103-01](#) [102-02](#) [103-02](#) [AES-SLP-12V5A-G](#) [101-03](#) [AES-ZUEV-CC-G](#) [AES-MINI-ITX-7Z100-G](#) [AES-MBCC-IO-G](#) [AES-EVB-BCM4343W-G](#) [AES-MINI-ITX-7Z045-SYS-G](#) [AES-FMC-HDMI-CAM-G](#) [AES-FXA120W-F-M400](#) [AES-Z7MB-7Z010-SBC-I-G](#) [AES-FMC-MC4-AR0231AT-G](#) [AES-ATT-M18Q2FG-SK-G](#) [AES-ZUIOCC-G](#) [AES-ZU7EV-1-SOM-G](#) [AES-CAM-ON-P1300C-G](#) [AES-MS-MT3620-M-G](#) [AES-S32V-NXP-G](#) [AES-A7MB-7A35T-G](#) [AES-FMC-ISMNET2-G](#) [AES-Z7EV-7Z020-G](#) [AES-ZU7EV-1-SK-G](#) [AES-MMP-BB2-G](#) [AES-ULTRA96-V2-I-G](#) [VT-SK-002-A01](#) [AES-ATT-IMA3-IOT-STM32L4-SK-G](#) [L02-027-1000-Z-ZZZZ\\_V2](#) [AES-BG96-IOT-SK2-PROMO](#) [AES-ZBDB-ADPT-G](#) [AES-MINI-ITX-7Z045-G-466](#) [AES-SHLD-BLEWF-G](#) [AES-Z7PZ-7Z010-SOM-G/REV-E](#) [AES-PMOD-MUR-1DX-G](#) [AES-ACC-U96-ME-MEZ](#) [AES-ZU7EV-1-SOM-I-G](#) [AES-ACC-MAAX-CAM1](#) [AES-Z7MB-7Z010-SOM-G/REV-G](#) [AES-MBCC-BRK-G](#)