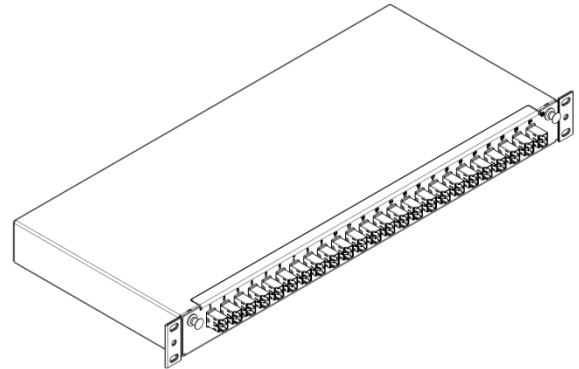


19" patch panel Fiberframe Lite

Description

- Standard 19" 1U size
- Robust steel construction
- Telescopic drawer with tilt of 15°
- Multifunctional back plate
- Up to 48 fibers per 1U
- ACS splice cassette technology accepting up to 24 fibers per cassette
- Optional zero space cable management bar



Technical data

Mechanical data

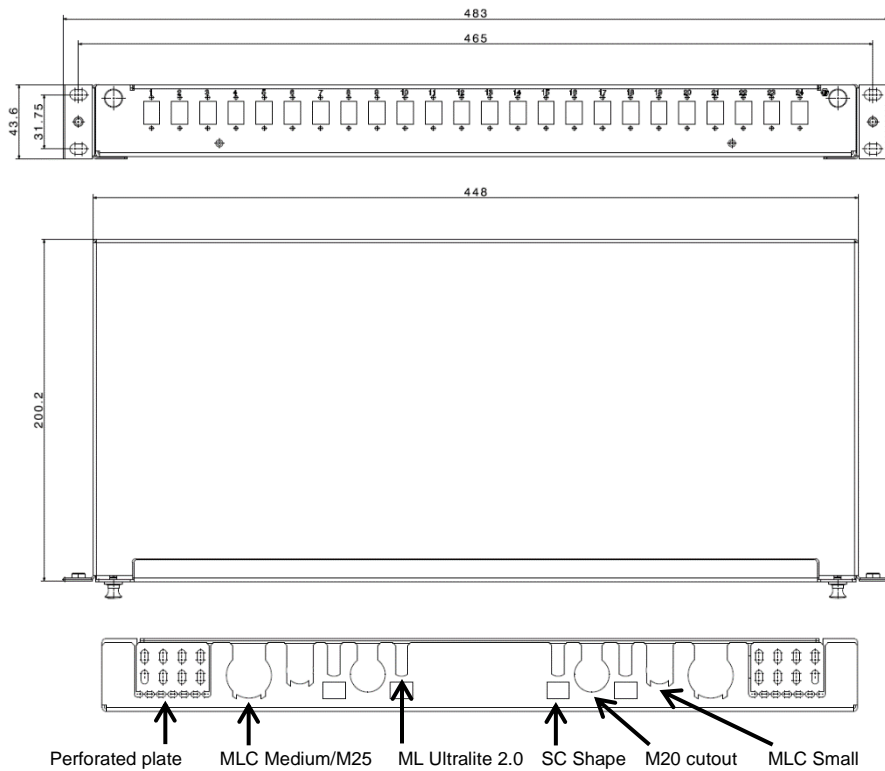
Description	Value
Dimensions	448 x 200 x 44 mm 17.64 x 7.87 x 1.73 in
Drawer tilt (pulled out)	15°
Rack height	1U
Adapter types	LC, LX.5, SC
Capacity	48 fibers with LC / LX.5 connectivity 24 fibers with SC connectivity 2 ACS splice cassettes including pigtail management
ACS splice cassette capacity	24 splices with heat shrink or sandwich splice protection technology, with storage area for fibers
Patch panel material	steel powder coated
Weight (empty)	2.40 kg / 5.29 lb
Colour	grey (RAL 7035)

Environmental data

Characteristics	Value
Ingress protection degree	IP 20
Free of halogen	yes
2011/65/EC (RoHS)	fully compliant

19" patch panel Fiberframe Lite

Technical drawing



ML = Masterline | MLC = Masterline Classic

19" patch panel Fiberframe Lite

Ordering information (each housing is delivered with a mounting kit (M5), Velcro straps and cable ties)

Unpopulated

Description	Item number
For 24 x LC duplex, LX.5 duplex or SC simplex adapters	85063206

Patch variant – including adapters

Description	Item number
24 x LC duplex adapters, blue	85063226
24 x LC duplex adapters, green	85063227
24 x LC duplex adapters, beige	85063228
24 x SC simplex adapters, blue	85063229
24 x SC simplex adapters, green	85063231

Splice variant – including adapters, pigtails, splice cassettes and splice protector holders (sandwich/heat shrink)

Description	Item number
24 x LC duplex adapters, blue, with 48 x LC/UPC SM standard pigtails, no colour coding	85063232
24 x LC duplex adapters, green, with 48 x LC/APC SM standard pigtails, no colour coding	85063236
24 x LC duplex adapters, beige, with 48 x LC MM OM2 pigtails, no colour coding	85064744
24 x SC simplex adapters, blue, with 24 x SC/UPC SM standard pigtails, no colour coding	85064745
24 x SC simplex adapters, green, with 24 x SC/APC SM standard pigtails, no colour coding	85064746

Fiberframe Lite - accessories

Description	Item number
ACS splice cassette accepting up to 24 splices	84123330
ACS splice cassette cover	84123617
Sandwich splice protector holder, 24 way	84103969
Shrink splice protector holder, 24 way	84123618
Heat shrink splice protector, dimension: Ø 1.5 x 40 mm	84059763
Sandwich splice protector, dimension: 1.2 x 3.2 x 30 mm	23218558
Patch cord management bar	85063160
Patch cord management bracket, grey/blue	84093679

Related documents

Installation manual DOC-0000711379

X-ON Electronics

Largest Supplier of Electrical and Electronic Components

Click to view similar products for [Huber & Suhner](#) manufacturer:

Other Similar products are found below :

[3402.17.A](#) [31 MMBX-SMA-50-1/111 NE](#) [74Z-0-23-17](#) [65 SMA-50-0-1/111 NE](#) [32 MMBX-50-0-6 / 111 NE](#) [Mini141 K-16](#) [7404.17.0003](#)
[33_N-SMA-50-51/1--_UE](#) [76_Z-0-2-1](#) [Minibend L-13](#) [Microbend MTR-11](#) [16_N-50-3-103/133_NE](#) [Microbend R-4.5](#) [74_Z-0-0-53](#)
[85_SMC-50-0-1/133_NE](#) [31_PC35-50-0-2/199_NE](#) [65_BNC-50-0-2/133_NE](#) [1399.17.0125](#) [76_Z-0-4-1](#) [80346275](#) [11_C-50-7-6/133_NE](#)
[6620_SMA-50-2/199_NE](#) [Minibend R-5.5](#) [11_SMB-50-2-41/111_NE](#) [Mini141 K-8](#) [74_Z-0-0-246](#) [22_BNC-50-0-5/133_NE](#) [6500_N-50-](#)
[1/199_NE](#) [6560.17.AA](#) [3401.17.0033](#) [11_N-50-2-1/133_NE](#) [3401.00.0022](#) [74_Z-0-0-142](#) [11_QLA-01-2-8/122_NE](#) [34_BNC-50-0-6/100_NE](#)
[74_Z-0-0-59](#) [Minibend R-6.5](#) [21_N-75-4-8/133_NE](#) [24_BNC-75-2-1/133_NE](#) [24_H4-50-3-1/133_NE](#) [Minibend-14](#) [31_SHV-50-0-1/133_NE](#)
[23_SK-50-0-52/199_NE](#) [74_Z-0-0-214](#) [23_BNC-50-0-2/133_NE](#) [74_Z-0-0-60](#) [33_SK-PC24-50-1/199_NE](#) [24_N-50-7-8/133_NE](#) [74_Z-0-0-](#)
[157](#) [6810_N-50-1/1--_NE](#)