

M10/10.RS



Products Low Voltage Products and Systems Connection Devices Terminal Blocks Solution Series

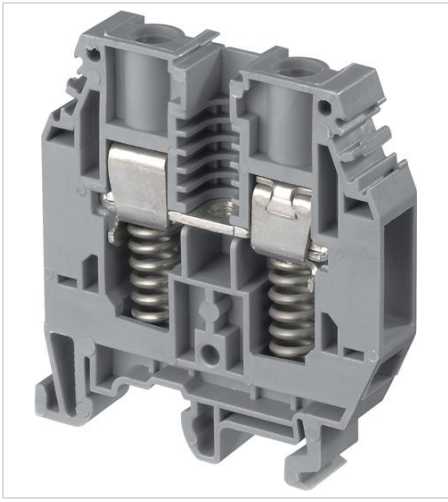
General Information

Extended Product Type:	M10/10.RS
Product ID:	1SNA115320R2700
EAN:	3472591153200
Catalog Description:	M10/10.RS Spring Loaded Screw Clamp Terminal Blocks - Feed-through - Grey
Long Description:	- Mainly dedicated to energy applications based on BS TS5018 standard, - Security: specific shape in linking bar to lock the hook type ferrule, spring clamp can maintain contact pressure even if screw clamp is loose.

Additional Information

ABB Industrial IT Suite:	Control IT
Ambient Air Temperature:	Operation -55 ... +110 °C Storage -55 ... +110 °C
Ambient Temperature:	-5 ... +40 °C
Color:	Grey
Connecting Capacity UL/CSA:	Stranded 6 AWG
Connecting Capacity Main Circuit:	Screw Clamp / Flexible 1x 0.5 ... 10 mm ² Screw Clamp / Rigid 1x 0.5 ... 16 mm ²
Connection Type:	Safety screw clamp
Country of Origin:	France (FR)
Customs Tariff Number:	85369010
Data Sheet, Technical Information:	1SNC160020C0201
Declaration of Conformity - CE:	1SND225039U1000
Degree of Protection:	acc. to IEC 60529, IEC 60947-1, EN 60529 Main Terminals IP20
Dielectric Test Voltage:	3000 V
EAC Certificate:	1SND161009A1100
EAN:	3472591153200
ETIM 4:	EC000897 - Feed-through terminal block
ETIM 5:	EC000897 - Feed-through terminal block
ETIM 6:	EC000897 - Feed-through terminal block
Environmental Information:	1SND220023E1002
Flammability According to UL94:	V0
Function:	Feed-through
Gauge Type:	A5
Gauge(s) of Form:	A5
IIT Publishing Status:	Level 0 - Information enabled
Industrial IT Certification Level:	0
Instructions and Manuals:	1SNC160020C0201
Insulation Material:	Polyamide
Invoice Description:	M10/10.RS Spring Loaded Screw Clamp Terminal Blocks - Feed-through - Grey
Minimum Order Quantity:	25 piece
Mounting Type:	Each wire clamp holds up to 2 bent lugs as shown (not supplied)
Mounting on DIN Rail:	G32 (32 x 15 mm Mounting Rail) acc. to IEC 60715 TH35-7.5 (35 x 7.5 mm Mounting Rail) acc. to IEC 60715 TH35-15 (35 x 15 mm Mounting Rail) acc. to IEC 60715
Number of Connections:	2
Number of Levels:	1

Object Classification Code:	X
Order Multiple:	25 piece
Package Level 1 EAN:	3472591153200
Package Level 1 Gross Weight:	0.75 kg
Package Level 1 Height:	64 mm
Package Level 1 Length:	280 mm
Package Level 1 Units:	25 piece
Package Level 1 Width:	62 mm
Package Level 2 Units:	350 piece
Package Level 3 Units:	16800 piece
Pollution Degree:	3
Product Main Type:	M10/10.RS
Product Name:	Terminal block
Product Net Depth:	51.5 mm
Product Net Height:	54 mm
Product Net Weight:	30 g
Product Net Width:	10 mm
Product Packing Type:	Box
RMRS Certificate:	1SND161007A1101
Rated Cross-Section:	10 mm ²
Rated Current (I_n):	Main Circuit 41 A
Rated Impulse Withstand Voltage (U_{imp}):	8000 V
Rated Short-time Withstand Current (I_{cw}):	for 1 s 1200 A
Rated Voltage (U_r):	800 V
Recommended Screw Driver:	5.5 ... 6 mm
RoHS Date:	20050518
RoHS Information:	1SND230023F0208
RoHS Status:	Following EU Directive 2002/95/EC August 18, 2005 and amendment
Selling Unit of Measure:	piece
Short Description:	grey Screw Clamp Terminal Blocks M10/10.RS for bare wire or equipped with bent lug
Spacing:	10 mm
Sub-Function:	Feed-through
Sub-Function 3:	Spring-loaded
Sub-Function 4:	Spring-loaded
Tightening Torque:	acc. IEC 60947-1 1.2 N·m Manufacturer 1.4 N·m
Wire Stripping Length:	14.0 mm
Number of Potentials:	1



X-ON Electronics

Largest Supplier of Electrical and Electronic Components

Click to view similar products for [TE CONNECTIVITY](#) manufacturer:

Other Similar products are found below :

[D38999/24FJ4AN](#) [1-2000677-8](#) [SMD100-2](#) [D38999/20WJ43BD](#) [4-176756-8](#) [983-6SE22-12S7-L](#) [D38999/24ZE35PN](#) [DJT10F17-26HN](#) [5-1437490-9](#) [7022X3H](#) [983-6SE18-14P9-L](#) [AFD50-16-23SN-6116-LC](#) [603995-1](#) [D38999/24WF32JE](#) [D38999/24WF32SE-LC](#) [DTS24W19-32HE](#) [D38999/20WD19SB-LC](#) [842723N001](#) [213904-1](#) [C1177A](#) [AFD51-18-32PW-6116-LC](#) [D38999/24FD19PD](#) [D38999/24FD19PD-LC](#) [D38999/24FF32BA](#) [D38999/26WH21PB-LC](#) [D38999/20FH21PE](#) [D38999/20FH21PE-LC](#) [D38999/24FH21PN](#) [DTS20F23-21PE](#) [D38999/20FH21PB-LC](#) [D38999/26FJ35PE](#) [D38999/32Z15N](#) [DTS26W9-35JB-LC](#) [D38999/26JJ29JN](#) [102976-7](#) [D38999/20FJ4SB-LC](#) [1-2322421-6](#) [D38999/20FJ24SB-LC](#) [MS3474L12-10P-LC](#) [MS3474L12-10PW-LC](#) [MS27467T21F16P-LC](#) [D50184-000](#) [WINTOTAL-6-END-USER-LICENCE](#) [164-8033-08](#) [DTS26W17-99HA](#) [MS27468T17F26H](#) [DJT14F17-26HN](#) [DJT14F17-26HB](#) [AFD58-24-61PY-1A](#) [983-6SE18-14S7-L](#)