

# FEDB.L



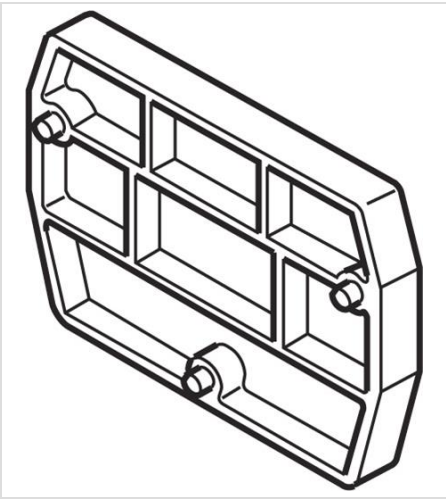
Products Low Voltage Products and Systems Connection Devices Terminal Blocks Accessories End Sections

## General Information

<b>Extended Product Type:</b>	FEDB.L
<b>Product ID:</b>	1SNA290281R0100
<b>EAN:</b>	3472592902814
<b>Catalog Description:</b>	FEDB.L-G+D End Sections Grey
<b>Long Description:</b>	FEDB.L - End Section Kits - Grey.

## Additional Information

<b>ABB Industrial IT Suite:</b>	Control IT
<b>Ambient Air Temperature:</b>	Operation -55 ... +110 °C Storage -55 ... +110 °C
<b>Ambient Temperature:</b>	-5 ... +40 °C
<b>Color:</b>	Grey
<b>Country of Origin:</b>	France (FR)
<b>Customs Tariff Number:</b>	85389099
<b>EAN:</b>	3472592902814
<b>ETIM 4:</b>	EC000886 - Endplate and partition plate for terminal block
<b>ETIM 5:</b>	EC000886 - Endplate and partition plate for terminal block
<b>ETIM 6:</b>	EC000886 - Endplate and partition plate for terminal block
<b>Environmental Information:</b>	1SND220090E1000
<b>Function:</b>	End Sections
<b>IIT Publishing Status:</b>	Level 0 - Information enabled
<b>Industrial IT Certification Level:</b>	0
<b>Insulation Material:</b>	Polyamide
<b>Invoice Description:</b>	FEDB.L-G+D End Sections Grey
<b>Minimum Order Quantity:</b>	20 piece
<b>Mounting on DIN Rail:</b>	G32 (32 x 15 mm Mounting Rail) acc. to IEC 60715 TH35-7.5 (35 x 7.5 mm Mounting Rail) acc. to IEC 60715 TH35-15 (35 x 15 mm Mounting Rail) acc. to IEC 60715
<b>Object Classification Code:</b>	X
<b>Order Multiple:</b>	20 piece
<b>Package Level 1 EAN:</b>	3472592902814
<b>Package Level 1 Gross Weight:</b>	0.06 kg
<b>Package Level 1 Height:</b>	5 mm
<b>Package Level 1 Length:</b>	200 mm
<b>Package Level 1 Units:</b>	20 piece
<b>Package Level 1 Width:</b>	155 mm
<b>Package Level 2 Height:</b>	150 mm
<b>Package Level 2 Length:</b>	500 mm
<b>Package Level 2 Units:</b>	2000 piece
<b>Package Level 2 Width:</b>	300 mm
<b>Package Level 3 Units:</b>	96000 piece
<b>Product Main Type:</b>	FE
<b>Product Name:</b>	End Section
<b>Product Net Weight:</b>	3 g
<b>Product Packing Type:</b>	Bag
<b>Selling Unit of Measure:</b>	piece
<b>Short Description:</b>	End Sections FEDB.L-G+D
<b>Suitable For:</b>	DB2.5/10.4L DB2.5/5.2L



## X-ON Electronics

Largest Supplier of Electrical and Electronic Components

*Click to view similar products for [TE CONNECTIVITY](#) manufacturer:*

Other Similar products are found below :

[D38999/24FJ4AN](#) [1-2000677-8](#) [SMD100-2](#) [D38999/20WJ43BD](#) [4-176756-8](#) [983-6SE22-12S7-L](#) [D38999/24ZE35PN](#) [DJT10F17-26HN](#) [5-1437490-9](#) [7022X3H](#) [983-6SE18-14P9-L](#) [AFD50-16-23SN-6116-LC](#) [603995-1](#) [D38999/24WF32JE](#) [D38999/24WF32SE-LC](#) [DTS24W19-32HE](#) [D38999/20WD19SB-LC](#) [842723N001](#) [213904-1](#) [C1177A](#) [AFD51-18-32PW-6116-LC](#) [D38999/24FD19PD](#) [D38999/24FD19PD-LC](#) [D38999/24FF32BA](#) [D38999/26WH21PB-LC](#) [D38999/20FH21PE](#) [D38999/20FH21PE-LC](#) [D38999/24FH21PN](#) [DTS20F23-21PE](#) [D38999/20FH21PB-LC](#) [D38999/26FJ35PE](#) [D38999/32Z15N](#) [DTS26W9-35JB-LC](#) [D38999/26JJ29JN](#) [102976-7](#) [D38999/20FJ4SB-LC](#) [1-2322421-6](#) [D38999/20FJ24SB-LC](#) [MS3474L12-10P-LC](#) [MS3474L12-10PW-LC](#) [MS27467T21F16P-LC](#) [D50184-000](#) [WINTOTAL-6-END-USER-LICENCE](#) [164-8033-08](#) [DTS26W17-99HA](#) [MS27468T17F26H](#) [DJT14F17-26HN](#) [DJT14F17-26HB](#) [AFD58-24-61PY-1A](#) [983-6SE18-14S7-L](#)