

General Information

Extended Product Type:	FED1.L
Product ID:	1SNA291301R0200
EAN:	3472592913018
Catalog Description:	FED1.L End Sections Grey
Long Description:	FED1.L - End Sections - Grey - 1.5mm Spacing.

Additional Information

ABB Industrial IT Suite:	Control IT
Ambient Air Temperature:	Operation -55 ... +110 °C Storage -55 ... +110 °C
Ambient Temperature:	-5 ... +40 °C
Color:	Grey
Country of Origin:	France (FR)
Customs Tariff Number:	39269097
EAN:	3472592913018
ETIM 4:	EC000886 - Endplate and partition plate for terminal block
ETIM 5:	EC000886 - Endplate and partition plate for terminal block
ETIM 6:	EC000886 - Endplate and partition plate for terminal block
Environmental Information:	1SND220090E1000
Function:	End Sections
IIT Publishing Status:	Level 0 - Information enabled
Industrial IT Certification Level:	0
Insulation Material:	Polyamide
Invoice Description:	FED1.L End Sections Grey
Minimum Order Quantity:	20 piece
Mounting on DIN Rail:	G32 (32 x 15 mm Mounting Rail) acc. to IEC 60715 TH35-7.5 (35 x 7.5 mm Mounting Rail) acc. to IEC 60715 TH35-15 (35 x 15 mm Mounting Rail) acc. to IEC 60715
Object Classification Code:	X
Order Multiple:	20 piece
Package Level 1 EAN:	3472592913018
Package Level 1 Gross Weight:	0.028 kg
Package Level 1 Length:	250 mm
Package Level 1 Units:	20 piece
Package Level 1 Width:	168 mm
Package Level 2 Units:	700 piece
Package Level 3 Units:	33600 piece
Product Main Type:	FED1.L
Product Name:	End Section
Product Net Depth:	24.5 mm
Product Net Height:	33 mm
Product Net Weight:	1.4 g
Product Net Width:	1.5 mm
Product Packing Type:	Bag
RoHS Date:	18 08 2005
RoHS Information:	1SND220090E1000

RoHS information:

13ND230470F0202

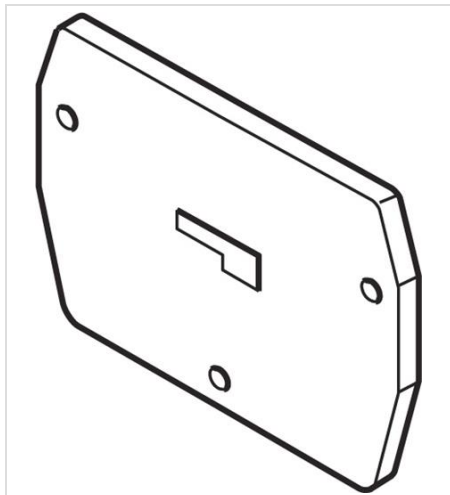
RoHS Status: Following EU Directive 2002/95/EC August 18, 2005 and amendment

Selling Unit of Measure: piece

Short Description: End Sections FED1.L

Spacing: 1.5 mm

Suitable For:
DH2.5/10.4L
DH2.5/5.2L
DR2.5/10.4L
DR2.5/10.P.4L
DR2.5/5.2L
DS2.5/10.4L
DS2.5/5.2L



X-ON Electronics

Largest Supplier of Electrical and Electronic Components

Click to view similar products for [TE CONNECTIVITY](#) manufacturer:

Other Similar products are found below :

[D38999/24FJ4AN](#) [1-2000677-8](#) [SMD100-2](#) [D38999/20WJ43BD](#) [4-176756-8](#) [983-6SE22-12S7-L](#) [D38999/24ZE35PN](#) [DJT10F17-26HN](#) [5-1437490-9](#) [7022X3H](#) [983-6SE18-14P9-L](#) [AFD50-16-23SN-6116-LC](#) [603995-1](#) [D38999/24WF32JE](#) [D38999/24WF32SE-LC](#) [DTS24W19-32HE](#) [D38999/20WD19SB-LC](#) [842723N001](#) [213904-1](#) [C1177A](#) [AFD51-18-32PW-6116-LC](#) [D38999/24FD19PD](#) [D38999/24FD19PD-LC](#) [D38999/24FF32BA](#) [D38999/26WH21PB-LC](#) [D38999/20FH21PE](#) [D38999/20FH21PE-LC](#) [D38999/24FH21PN](#) [DTS20F23-21PE](#) [D38999/20FH21PB-LC](#) [D38999/26FJ35PE](#) [D38999/32Z15N](#) [DTS26W9-35JB-LC](#) [D38999/26JJ29JN](#) [102976-7](#) [D38999/20FJ4SB-LC](#) [1-2322421-6](#) [D38999/20FJ24SB-LC](#) [MS3474L12-10P-LC](#) [MS3474L12-10PW-LC](#) [MS27467T21F16P-LC](#) [D50184-000](#) [WINTOTAL-6-END-USER-LICENCE](#) [164-8033-08](#) [DTS26W17-99HA](#) [MS27468T17F26H](#) [DJT14F17-26HN](#) [DJT14F17-26HB](#) [AFD58-24-61PY-1A](#) [983-6SE18-14S7-L](#)