

GOP Boxes



GOP Boxes (MGOP2, MGOP4, MGOP6)

Our range of grid outlet position boxes and latch plates are ideal for fitting onto the end of a flexible conduit. These boxes allow the presentation of 6C size outlets in a vertical grid formation, providing both cable and outlet containment within raised floor systems. They are also ideal for attaching to the underside of desks in general office environments.

Features

- Available in 3 vertical grid layout options:- 2 outlets, 4 outlets and 6 outlets
- Keyed gland entry for either 25 or 32 mm flexible conduit
- Latch Plates optional - available in 25 and 32 mm sizes
- Cut out apertures are 6C (aka LJ6C) size
- 60 mm deep boxes to accommodate cable bend radius requirements
- Supplied and fitted with M6 screws for fast removal of the lid
- Suitable for use with our range of 6C fibre modules, Category 6/6A copper modules, keystone adaptors (for a wide range of connectors) and blanks
http://www.tuk.co.uk/tuk_live/product_details.php?category_id=&pld=294
http://www.tuk.co.uk/tuk_live/product_details.php?category_id=&pld=53
http://www.tuk.co.uk/tuk_live/product_details.php?category_id=&pld=301

NOTE: GOP (Grid Outlet Position) boxes are also known as POD boxes by other manufacturers and suppliers.

Specifications

- Colour: black
- Material: Cold rolled steel
- Sizes:
 - 2 outlet 138 x 60 x 63 mm
 - 4 outlet 175 x 60 x 63 mm
 - 6 outlet 225 x 60 x 63 mm

Latch Plates



Latch Plates (MGOPLP25, MGOPLP32)

Our two Latch Plates are designed to accommodate flexible conduit during the fixing of GOP boxes into a raised floor box or in a workplace (such as under desk).

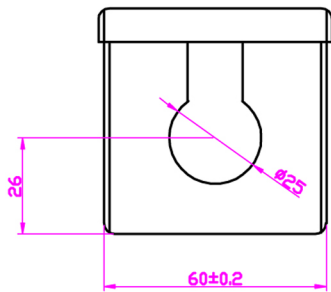
Features

- Fixing brackets for conduit used with GOP Boxes
- Available with apertures for 25 mm or 32 mm conduit
- Attractive semi-gloss finish matches our GOP boxes

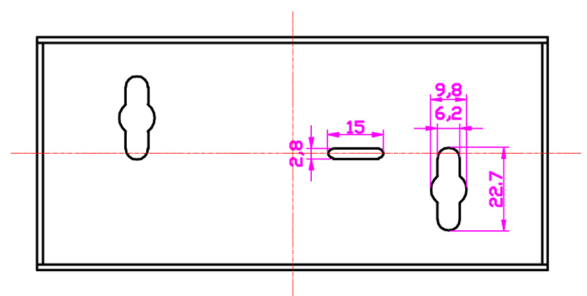
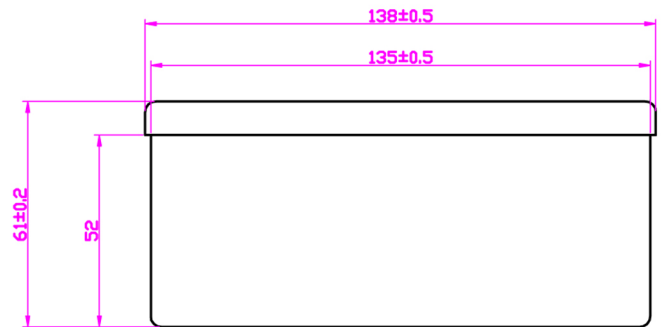
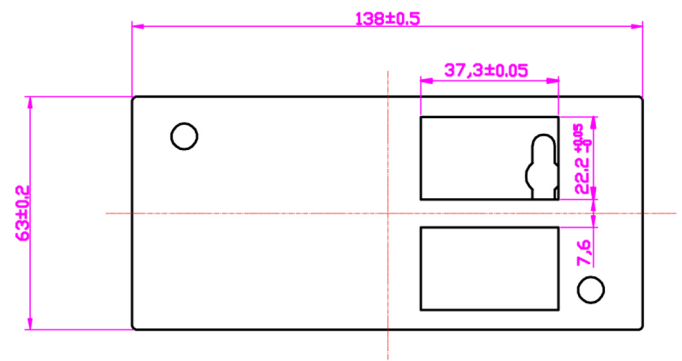
Specifications

- Dimensions: 67.5 x 50 x 50 mm
- Weight: 56g
- Colour: Black
- Material: Cold rolled steel

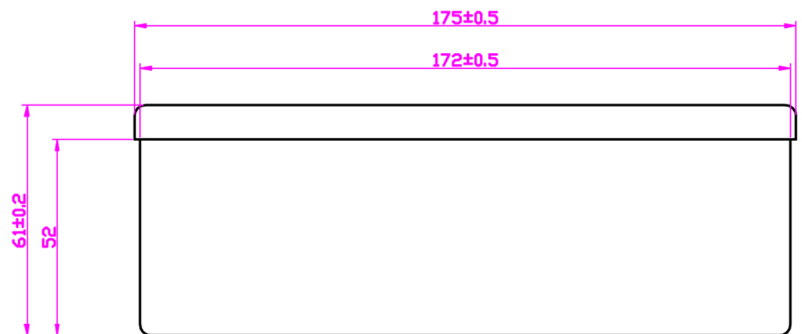
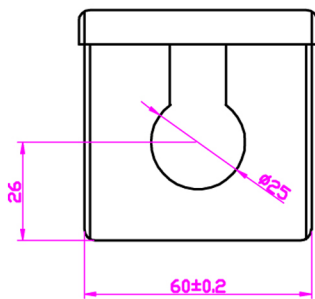
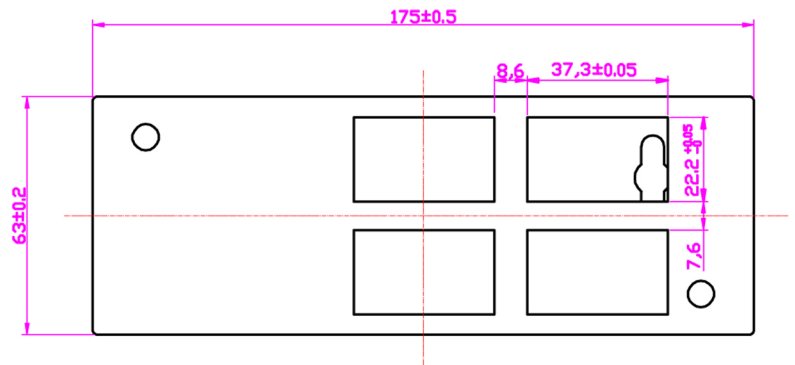
ROHS Compliant



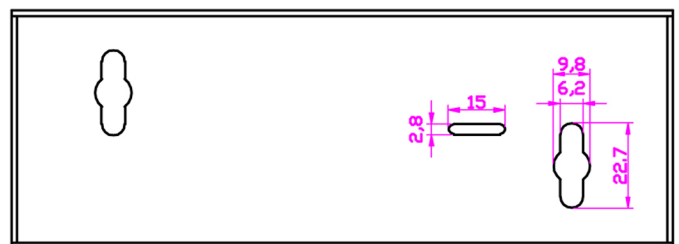
Cold-rolled steel sheets: 1.5mm



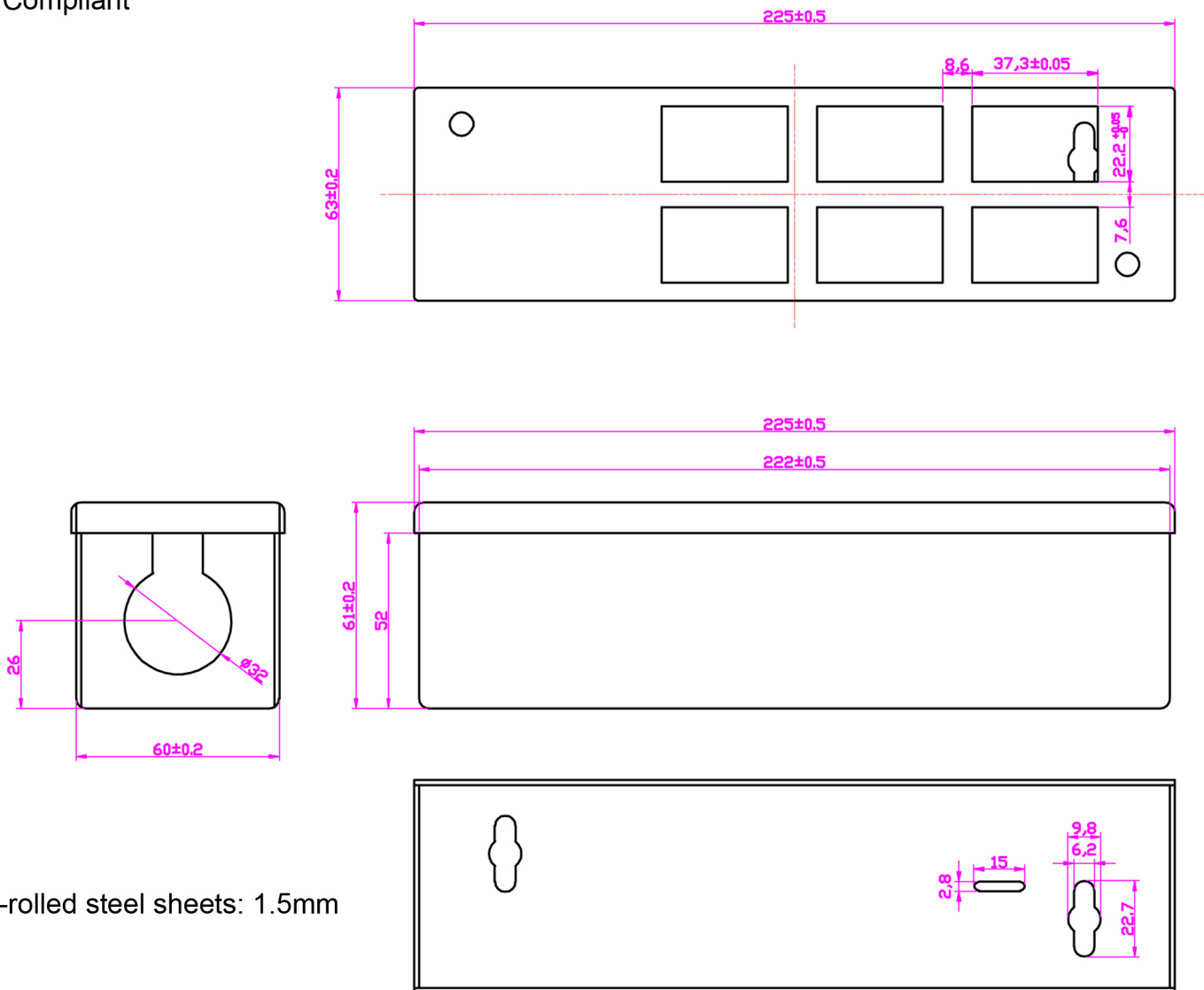
ROHS Compliant



Cold-rolled steel sheets: 1.5mm

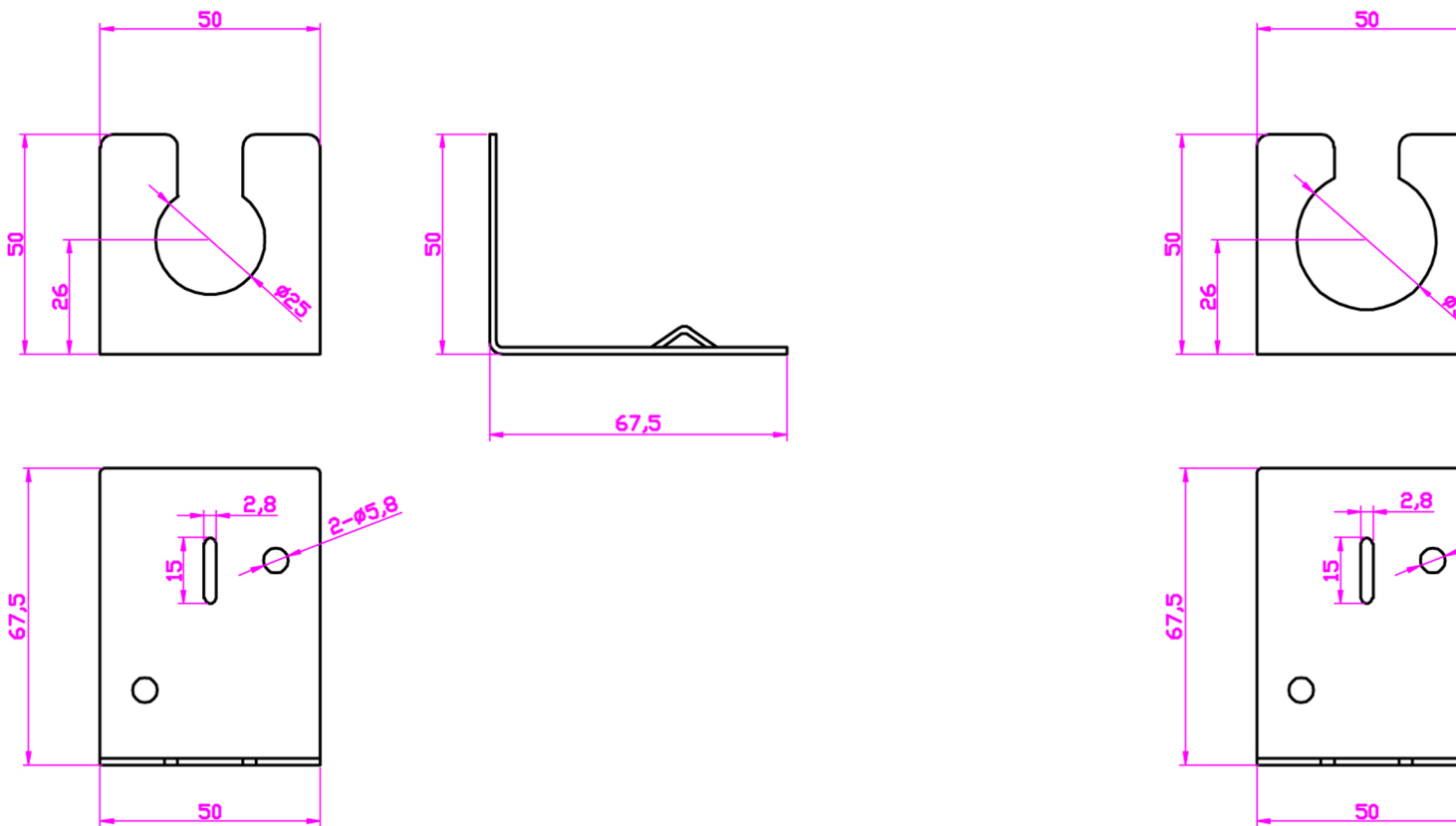


ROHS Compliant



Cold-rolled steel sheets: 1.5mm

ROHS Compliant



Cold-rolled steel sheets: 1.5mm

X-ON Electronics

Largest Supplier of Electrical and Electronic Components

Click to view similar products for [Tuk manufacturer](#):

Other Similar products are found below :

[ADQ88](#) [KOLSMDX](#) [PXCAT6S8XL2](#) [SKH1](#) [PXSPDY6#100](#) [PSPDY5#100](#) [PXSPDY6#10](#) [SP5RD](#) [FTT](#) [SKFBKDPM](#) [SACK3S-24](#)
[OT45BK](#) [SKFYW](#) [PSDL-6#20](#) [WJOL](#) [FJP2](#) [KH4](#) [KRCAWHBKDPM](#) [SPDL5BK](#) [TRCSPDY3](#) [PSDL-5#100](#) [SKFGN](#) [SP3RD](#) [SLJBKDPM](#)
[SEKEIPM](#) [FJKPT](#) [KCUAA2BKDPM](#) [SP5GN](#) [MGOP6](#) [TPOET](#) [PXSPDY5#10](#) [WJSG](#) [SILWH](#) [SP3YW](#) [SACK2WHPM](#) [T2079](#)
[FACK2BKDPM](#) [KOCSMDPM](#) [SP5YW](#) [SGPZ10BK](#) [ADF](#) [SEKEI-45WH](#) [TRCSPDYBP](#) [SP5GYB](#) [SKH4](#) [SGKH2](#) [SKFWHPM](#) [KOCSM](#)
[SKH2](#) [SP10RD](#)