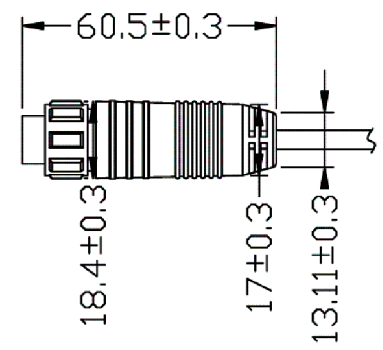
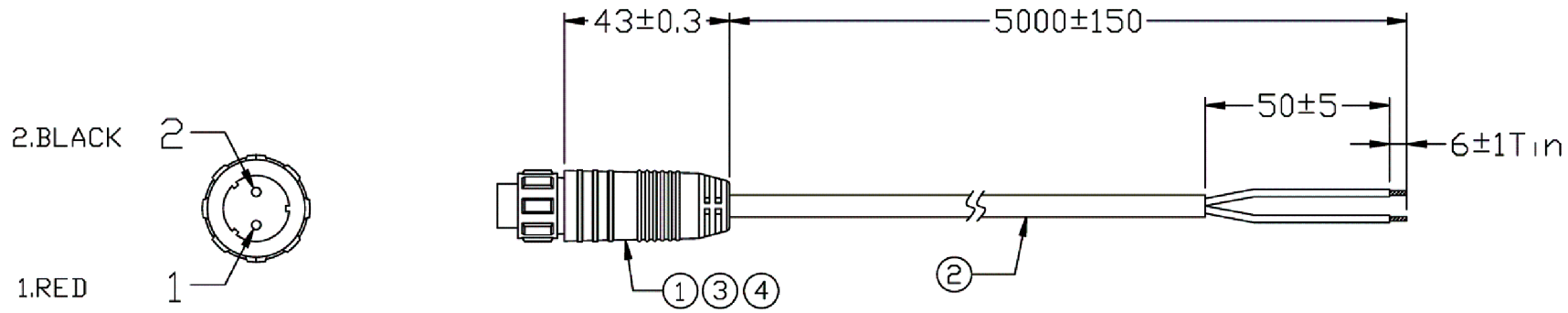


ISS.	AMEND	DATE
1	APPROVED + ISSUED	28/10/15
2	STRIP LENGTH WAS 50±2	02/11/15



WIRING

- 1 - RED or BROWN
- 2 - BLACK or BLUE

- 1) CONNECTOR - MALE 2 PIN OVERMOULDED
- 2) UNSHIELED CABLE UL2464 #20*2C (26/0.16BC*1.46*2C) O/D Ø4.5mm
- 3) INNER MOULDING PVC 45P
- 4) OUTER MOULDING PVC 45P
- 5) CONTACTS BRASS, GOLD PLATED
- 6) INNER INSULATION (BLACK+RED or BLUE+BROWN) O/D Ø1.46
- 7) SUPPLIED BULK PACKED

RoHS COMPLIANT
TOLERANCE NO DEC. PLACE ± 1 DEC. PLACE ± 2 DEC. PLACE ± HOLE Ø ± ANGLES ± UNLESS OTHERWISE STATED
DO NOT SCALE

Cliff Electronic Components Ltd.
76 Holmethorpe Avenue, Holmethorpe Industrial Estate,
Redhill, Surrey, RH1 2PF, England, UK
Tel: 01737-771375 Fax: 01737-766012 Website: www.cliffuk.co.uk

DIMENSIONS IN MILLIMETERS UNLESS OTHERWISE STATED. WORK TO DIMENSIONS. REMOVE ALL BURRS. IF IN DOUBT ASK.		3rd ANGLE PROJECTION:	DO NOT SCALE
MATERIAL: COMPOSITE	TITLE: CLIFFCON 68 MALE OVERMOULD 2 PIN		
FINISH: AS MOULDED	DRAWG. No. FM686822		FORM: A4DRWGH
DRAWN: T.J.O.	APPROVED: D.P.J.		

THE CONTENTS OF THIS DOCUMENT MUST NOT BE COPIED OR DISCLOSED TO A 3rd PARTY WITHOUT WRITTEN PERMISSION OF CLIFF UK. © 2015

X-ON Electronics

Largest Supplier of Electrical and Electronic Components

Click to view similar products for [Cliff manufacturer](#):

Other Similar products are found below :

[FC7105](#) [CIH206011](#) [CIH22105](#) [FCR7360L](#) [FM686813](#) [CP30152](#) [CP30173](#) [CP30176](#) [CP30178](#) [CP30179](#) [CP30180](#) [CP30186](#) [FCR7942](#)
[CL-SFE/1 FILTERS](#) [CP30220X](#) [FCR7360B](#) [FM686816](#) [CIH29917](#) [CP30170](#) [CP30174](#) [CIH684216](#) [FD72082](#) [FCR2062](#) [CP30171](#) [CP30182](#)
[CP30184](#) [CIH3021](#) [FM686806](#) [CIH29950](#) [CIH29916](#) [CP30150](#) [CP30500C](#) [FCR1121](#) [CL1115](#) [CP30181](#) [CP30202M](#) [CP30202M3B](#) [K85](#)
[CAPS BLUE PLAIN](#) [CIH299450](#) [CL2075S](#) [FM65015](#) [CL2076S](#) [CL1734](#) [300PN](#) [DCPP3](#) [FC7106](#) [FCR7960RB](#) [FM686842](#) [CP30202M3](#)
[CIH3006](#)