

**UL PICCOLO UL PC H 95 T**



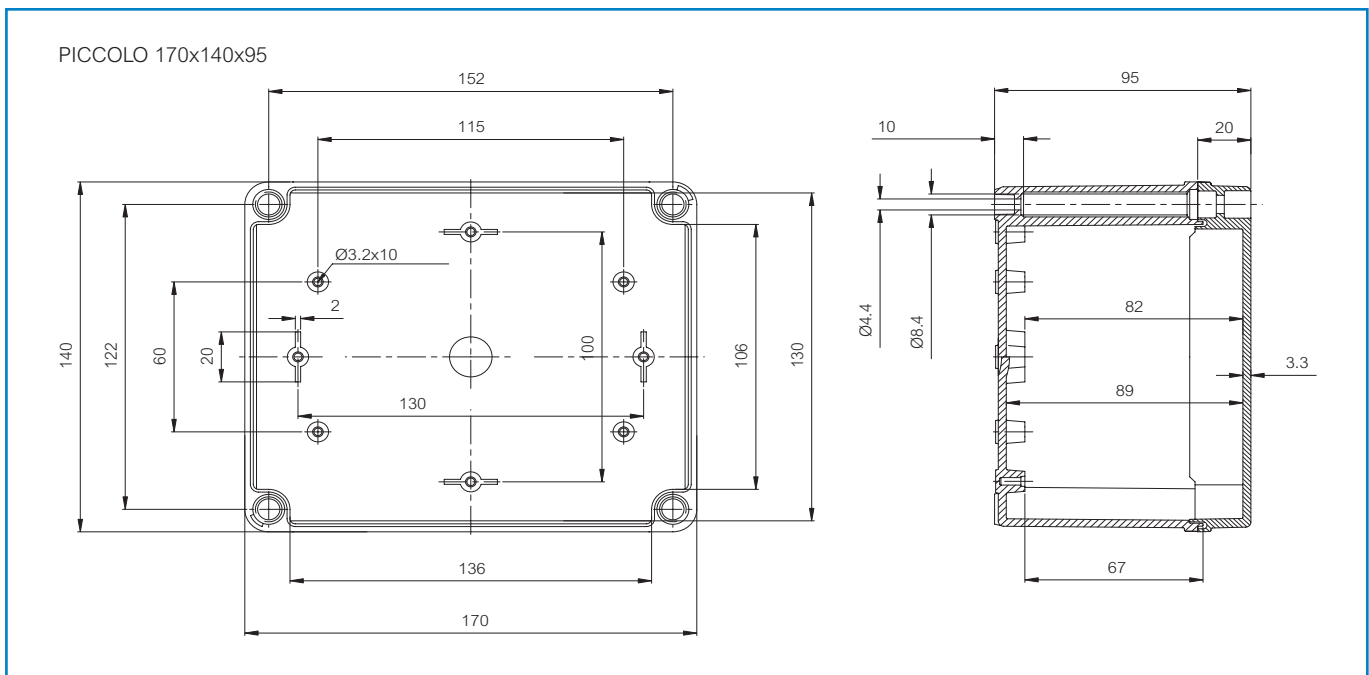
Sample photo

**Order symbol:** UL PC H 95 T  
**Product nbr:** 8714015  
**Description:** UL Enclosure, PC  
**Remarks:** Transparent cover

**EAN:** 6418074038968  
**EI. number:**  
**Finland:**  
**Electric No. Denmark:** 8212031186  
**Electric No. Italy:** 7202050U

Including: Base with screws for mounting plate, cover with PUR gasket and polyamide cover screws.

| Dimensions:                         |                      |       |        | Rating:                                  |
|-------------------------------------|----------------------|-------|--------|--|
|                                     | Length               | Width | Height |  |
| <b>mm:</b>                          | 170                  | 140   | 95     | Ingress Protection (EN 60529): IP66/IP67 |
| <b>inch:</b>                        | 6.7                  | 5.5   | 3.7    | Impact Resistance (EN 62262): IK08       |
| Materials:                          |                      |       |        | Electrical insulation: Totally insulated |
| <b>Material:</b>                    | Polycarbonate        |       |        | Halogen free (DIN/VDE 0472, Part 815): 1 |
| <b>Base colour:</b>                 | RAL 7035 -light grey |       |        | UV resistance: UL 508                    |
| <b>Cover screws material:</b>       | Polyamide            |       |        | Flammability Rating: UL 746C 5"          |
| <b>Cover colour:</b>                | Clear transparent    |       |        | UL Type:                                 |
| <b>Cover screws colour:</b>         | Grey                 |       |        | Glow Wire Test (IEC 695-2-1) °C: 960     |
| <b>Gasket material:</b>             | Polyurethane         |       |        | Certificates:                            |
| Temperatures:                       |                      |       |        | Germanischer Lloyd (GL)                  |
| <b>Temperature °C (short term):</b> | -40 ... 120 °C       |       |        | Underwriters Laboratories                |
| <b>Temperature °C (continuous):</b> | -40 ... 80 °C        |       |        | SGS Fimko                                |
| <b>Temperature °F (short term):</b> | -40 ... 250 °F       |       |        | UL Canada                                |
| <b>Temperature °F (continuous):</b> | -40 ... 175 °F       |       |        | Gost R                                   |



## X-ON Electronics

Largest Supplier of Electrical and Electronic Components

*Click to view similar products for [Fibox manufacturer](#):*

Other Similar products are found below :

[PC 100/100 HG ENCLOSURE](#) [PCT 162509](#) [ABS F 65 G](#) [CAB P 302017](#) [CAB PC 303018 G3B](#) [ABQ3 153410](#) [CAB PCQ 404017 G](#) [PC 2819 13 T-2FSH](#) [PC 5628 13 T](#) [TAM 090706 MC](#) [TAM201610](#) [ARCA 203015](#) [ARCA 604021](#) [EKPVT 2539547](#) [PC 100/75 HT](#) [PCM 125/100 G](#) [CAB PC 403018 G](#) [PC 125/125 HG](#) [7094450](#) [PC 200/150 HT](#) [PCM 175/100 T](#) [PCT 121210](#) [9821007](#) [EKPE 130 T ENCLOSURE](#) [ABS C 85 G](#) [FEX 3828 18 T ENCLOSURE](#) [7811250](#) [CAB PC 302018 T CABINET](#) [CAB PC 303018 T CABINET](#) [CAB PCQ 403023 T](#) [CAB PCQ 603017G](#) [CAB PC 604022 T3B CABINET](#) [PC 30/25-3 ENCLOSURE](#) [AR14127CHSS](#) [EKTH 130 T](#) [EKUH 180 G](#) [EKUH 180 T](#) [AR1086CHLT](#) [AR181610CHSC](#) [FP 36/31](#) [MP 1912](#) [PC 071004](#) [PC 175/150 HG](#) [PC 3819 18 T-2FSH](#) [PC 5628 13 T-3FSH](#) [8120843](#)  
[8120844](#) [8120845](#) [8120846](#)