

UL MNX UL PC 125/60 HT



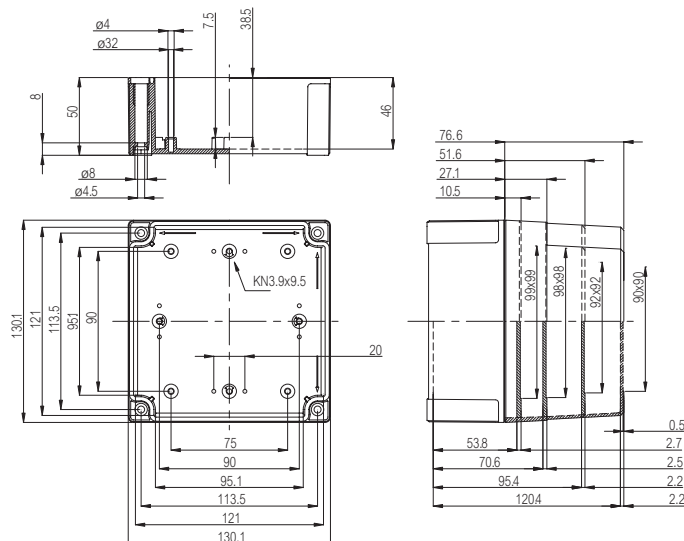
Sample photo

Order symbol: UL PC 125/60 HT
Product nbr: 6411907
Description: UL Enclosure, PC
Remarks: Smoked transparent cover

EAN: 6418074014597
EI. number:
Finland:
Electric No. Denmark: 8212030271
Electric No. Italy: 7352055U

Including: Base with TPE gasket, screws for mounting plate/DIN-rail and cover with polyamide cover screws.

Dimensions:				Rating:
	Length	Width	Height	
mm:	130	130	60	Ingress Protection (EN 60529): IP66/IP67
inch:	5.1	5.1	2.4	Impact Resistance (EN 62262): IK08
Materials:				Electrical insulation: Totally insulated
Material:	Polycarbonate			Halogen free (DIN/VDE 0472, Part 815): 1
Base colour:	RAL 7035 -light grey			UV resistance: UL 508
Cover screws material:	Polyamide			Flammability Rating: UL 746C 5"
Cover colour:	Smoked grey			UL Type:
Cover screws colour:	Black			Glow Wire Test (IEC 695-2-1) °C: 960
Gasket material:	TPE			Certificates:
Temperatures:				Germanischer Lloyd (GL)
Temperature °C (short term):	-40 ... 120 °C			Underwriters Laboratories
Temperature °C (continuous):	-40 ... 80 °C			SGS Fimko
Temperature °F (short term):	-40 ... 250 °F			UL Canada
Temperature °F (continuous):	-40 ... 175 °F			Gost R



X-ON Electronics

Largest Supplier of Electrical and Electronic Components

Click to view similar products for [Fibox](#) manufacturer:

Other Similar products are found below :

[PC 100/100 HG ENCLOSURE](#) [PCT 162509](#) [ABS F 65 G](#) [CAB P 302017](#) [CAB PC 303018 G3B](#) [ABQ3 153410](#) [CAB PCQ 404017 G](#) [PC 2819 13 T-2FSH](#) [PC 5628 13 T](#) [TAM 090706 MC](#) [TAM201610](#) [ARCA 203015](#) [ARCA 604021](#) [EKPVT 2539547](#) [PC 100/75 HT](#) [PCM 125/100 G](#) [CAB PC 403018 G](#) [PC 125/125 HG](#) [7094450](#) [PC 200/150 HT](#) [PCM 175/100 T](#) [PCT 121210](#) [9821007](#) [EKPE 130 T ENCLOSURE](#) [ABS C 85 G](#) [FEX 3828 18 T ENCLOSURE](#) [7811250](#) [CAB PC 302018 T CABINET](#) [CAB PC 303018 T CABINET](#) [CAB PCQ 403023 T](#) [CAB PCQ 603017G](#) [CAB PC 604022 T3B CABINET](#) [PC 30/25-3 ENCLOSURE](#) [AR14127CHSS](#) [EKTH 130 T](#) [EKUH 180 G](#) [EKUH 180 T](#) [AR1086CHLT](#) [AR181610CHSC](#) [FP 36/31](#) [MP 1912](#) [PC 071004](#) [PC 175/150 HG](#) [PC 3819 18 T-2FSH](#) [PC 5628 13 T-3FSH](#) [8120843](#) [8120844](#) [8120845](#) [8120846](#)