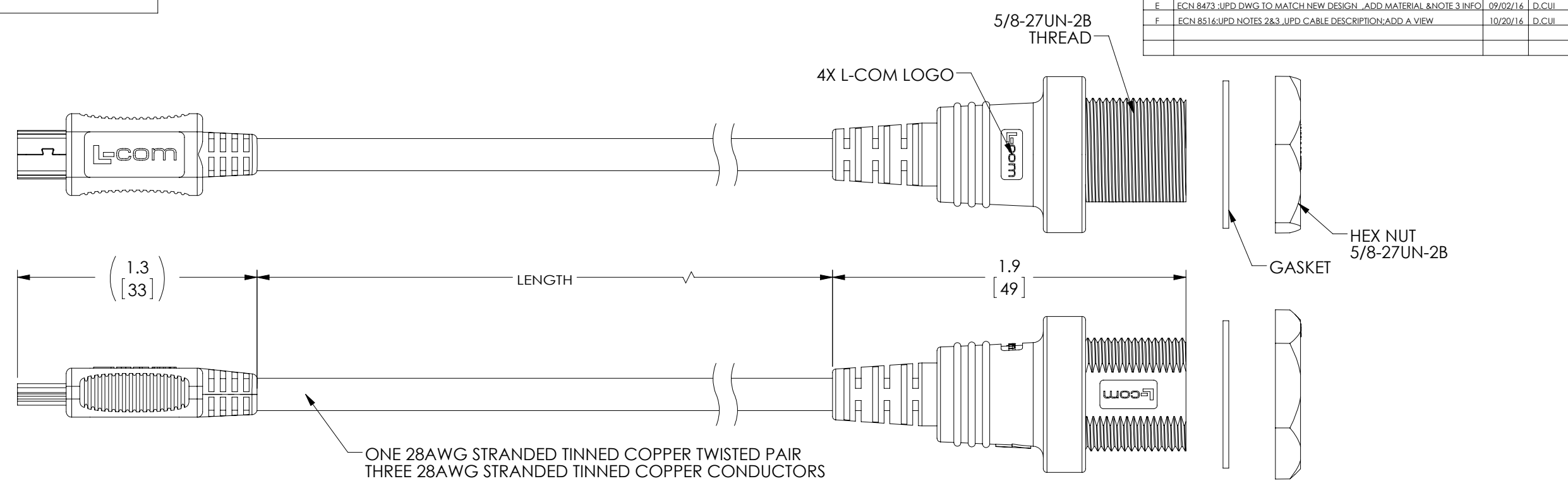
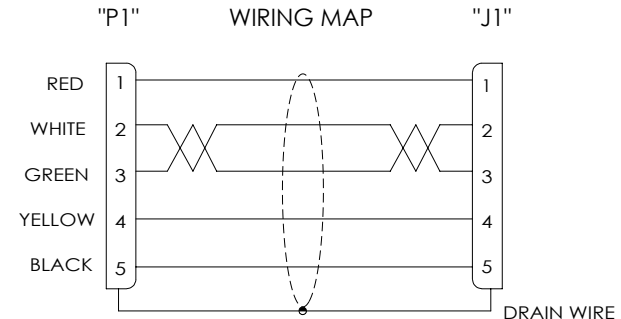
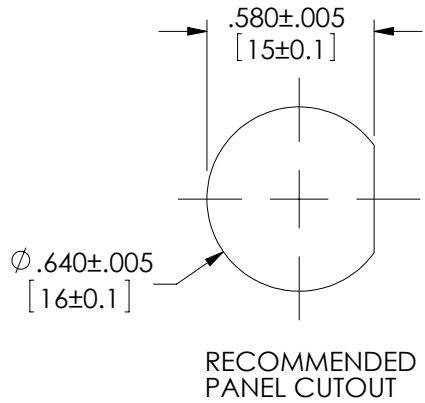
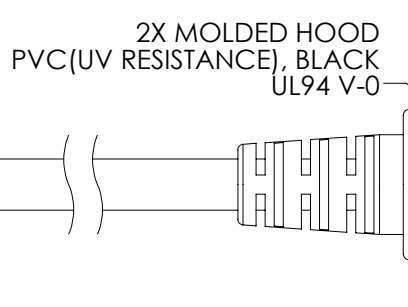
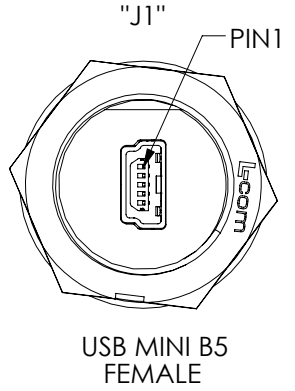
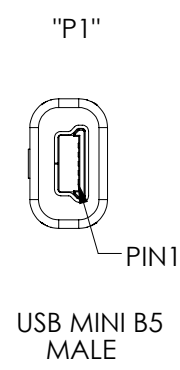


THE INFORMATION CONTAINED IN THIS DRAWING IS THE SOLE PROPERTY OF L-COM, INC. ANY REPRODUCTIONS IN PART OR WHOLE WITHOUT THE WRITTEN PERMISSION OF L-COM, INC. IS PROHIBITED.

REVISIONS			
REV	DESCRIPTION	DATE	CHANGED BY
E	ECN 8473 :UPD DWG TO MATCH NEW DESIGN ,ADD MATERIAL &NOTE 3 INFO	09/02/16	D.CUI
F	ECN 8516:UPD NOTES 2&3 ,UPD CABLE DESCRIPTION:ADD A VIEW	10/20/16	D.CUI



ONE 28AWG STRANDED TINNED COPPER TWISTED PAIR  
THREE 28AWG STRANDED TINNED COPPER CONDUCTORS  
OVERALL ALUMINIZED POLYESTER SHIELD WITH DRAIN  
WIRE PLUS TINNED COPPER BRAIDED SHIELD.  
PVC OUTER JACKET(UV RESISTANCE), BLACK



PART NUMBER	LENGTH	
	FEET	METERS
WPUSBMB5X-03M	.98	[.3]
WPUSBMB5X-05M	1.64	[.5]
WPUSBMB5X-1M	3.28	[1.0]
WPUSBMB5X-2M	6.56	[2.0]
WPUSBMB5X-5M	16.40	[5.0]

- NOTES:**
- CABLE ASSEMBLY SHALL BE TESTED FOR CONTINUITY
  - L-COM LOGO STYLE AND MOLDED HOOD APPEARANCE MAY VARY PER L-COM SPECIFICATION
  - INGRESS PROTECTION RATING IS IP67 (J1 ONLY ,MATED)
  - CABLE ASSEMBLY SHALL BE INDIVIDUALLY PACKAGED IN ACCORDANCE WITH L-COM SPECIFICATION PS-0031

**REGULATORY COMPLIANCE:**  
CE2011/65/EU(RoHS DIRECTIVE)

UNLESS OTHERWISE SPECIFIED,  
DIMENSIONS ARE IN INCHES [mm]  
OVERALL CABLE LENGTH TOLERANCE:  
≤12 [305] = +1 [25] / -0  
>12 [305] ≤60 [1524] = +2[51] / -0  
>60 [1524] ≤120 [3048] = +4 [102] / -0  
>120 [3048] ≤300 [7620] = +6 [152] / -0  
>300 [7620] = +5% / -0%  
ALL OTHER DIMENSIONAL TOLERANCES:  
.X = ±.2 [5.08]  
.XX = ±.02 [5.1]  
.XXX = ±.005 [1.3]

APPROVALS	DATE
DRAWN BY D. CASTRO	4/17/09
CHECKED BY D. FRISIELLO	4/20/09
APPROVED BY S. SMITH	4/20/09

**L-com** Global Connectivity  
50 HIGH STREET  
NORTH ANDOVER, MA  
01845

CATEGORY		USB	
PRODUCT DESCRIPTION			
CA WTR PR USBMB5-F/MB5-M			
SIZE	FSCM NO.	DWG. NO.	REV.
<b>B</b>	<b>43321</b>	<b>WPUSBMB5X</b>	<b>F</b>
SCALE: 1:4		CAD FILE: WPUSBMB5X.SLDDRW	SHEET 1 OF 1

## X-ON Electronics

Largest Supplier of Electrical and Electronic Components

*Click to view similar products for [L-Com manufacturer](#):*

Other Similar products are found below :

[AVG2-KVM](#) [DVIHDMF](#) [TSP4088C5](#) [CAUALB-3M](#) [CA-RSPNMA002](#) [HG913Y-NF](#) [CSMNB15MF-15](#) [CSMNB15MM-10](#)  
[TRD815RA2BLK-5](#) [TRD815RA2BL-5](#) [WJ670300](#) [CSM9MF-2.5](#) [CA3A-90DA-1M](#) [CA3A-90LA-05M](#) [CA3A-90LMICB-03M](#) [CA3A-90RMICB-03M](#) [U3A00003-03M](#) [CTLF3VGAMM-20](#) [HDCAMM-3](#) [U3A00013-105M](#) [TSP8048C5S-10PK](#) [CSMT15MM-25](#) [CSPL25MM-50](#) [CSPL9MF-10](#) [CSPL9MF-5](#) [CSPL25MF-5](#) [TRD855HFB-1M](#) [TRD855HFB-4M](#) [TRD855HFB-5M](#) [AL-IPEPS](#) [NB201611-10F-1](#) [NB121005-10F](#) [TRD855SRA6DBL-1M](#) [TRD855SRA7DBL-10M](#) [U2A00016-3M](#) [U2A00017-03M](#) [PR175SCDLCQ24](#) [U3A00089-2M](#) [TRA5261S-1F](#) [TRA6261-1F](#) [TRA6261-25F](#) [HG2415U-PRO-5PK](#) [USBBFT](#) [DGB25F](#) [CAUBLKAB-1M](#) [CASATAL-18](#) [CIB24-6M](#) [CA3A-90LMICB-1M](#) [U2A00001-5M](#) [U3A00008-1M](#)