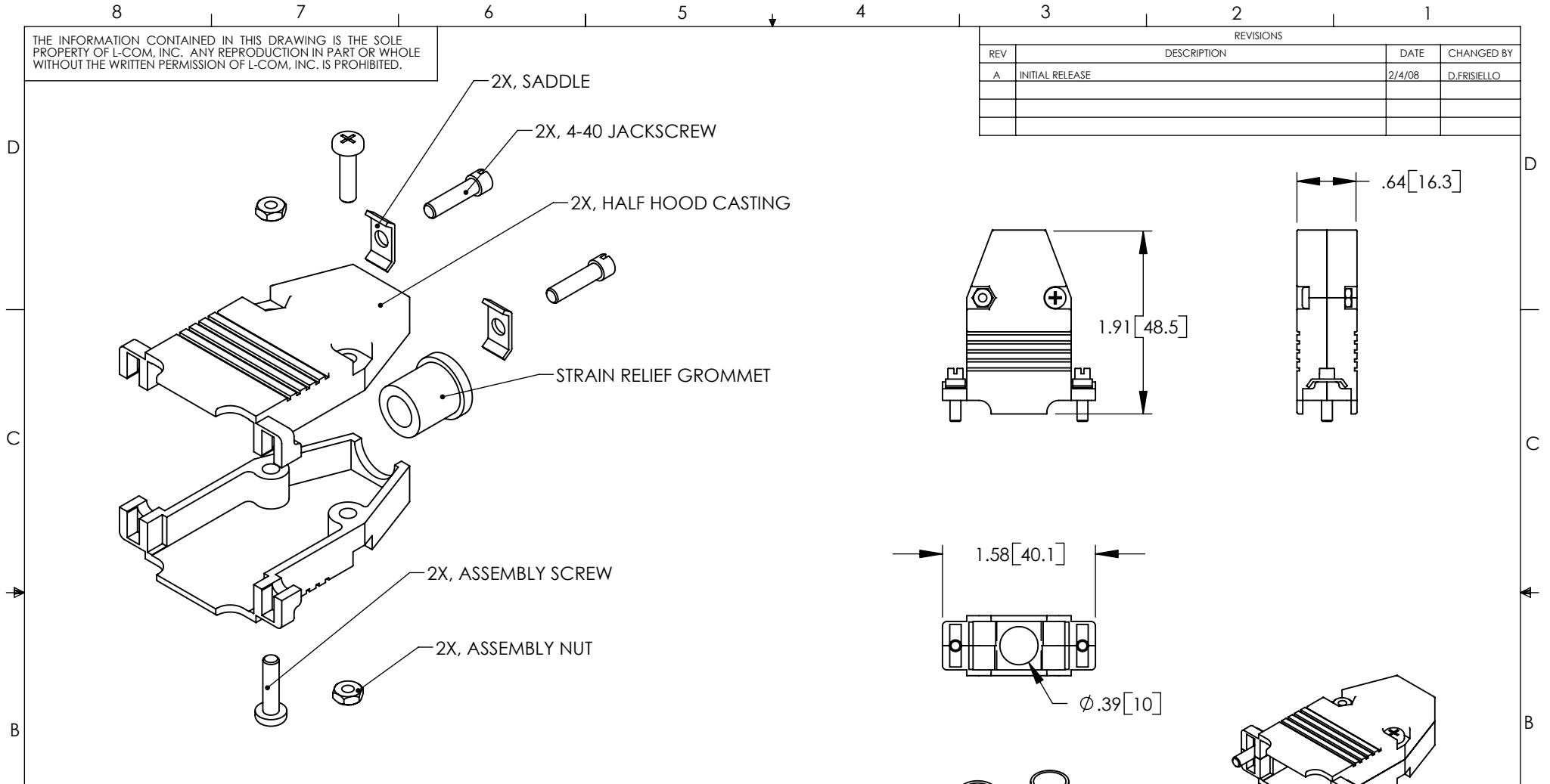


THE INFORMATION CONTAINED IN THIS DRAWING IS THE SOLE PROPERTY OF L-COM, INC. ANY REPRODUCTION IN PART OR WHOLE WITHOUT THE WRITTEN PERMISSION OF L-COM, INC. IS PROHIBITED.

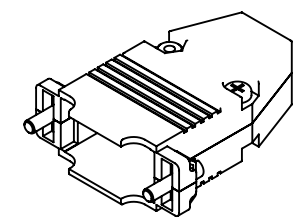
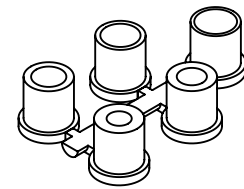
REVISIONS			
REV	DESCRIPTION	DATE	CHANGED BY
A	INITIAL RELEASE	2/4/08	D.FRISIELLO



NOTES:
 MATERIALS:
 HOOD: DIE-CAST ZINC ALLOY
 JACKSCREW: STEEL
 ASSEMBLY HARDWARE: STEEL
 STRAIN RELIEF GROMMETS: PVC, BLACK

FINISH:
 HOOD: NICKEL PLATED, MATTE FINISH ON MAJOR SURFACES
 JACKSCREW: NICKEL PLATED
 ASSEMBLY HARDWARE: NICKEL PLATED

MISCELLANEOUS:
 INTENDED FOR USE WITH 15 PIN STANDARD AND 26 PIN HIGH DENSITY D-SUBMINIATURE CONNECTORS.
 SUPPLIED WITH 5 STRAIN RELIEF GROMMETS FOR CABLING HAVING DIAMETERS RANGING FROM .190 TO .335 INCH.



FORMALLY MAC 95-110601

UNLESS OTHERWISE SPECIFIED, DIMENSIONS ARE IN INCHES [mm] TOLERANCES TO BE: .X ±.1 [2.5] .XX ±.01 [.25] .XXX ±.005 [.13] OVERALL CABLE LENGTH TOL: ≤ 60 [1524] +3 [76.2] / -0 > 60 [1524] +5% / -0%	APPROVALS	DATE
	DRAWN BY D.FRISIELLO	2/4/08
	CHECKED BY R.FORTIN	2/4/08
	APPROVED BY S.SMITH	2/4/08
	CONFIGURATION DETAILS OF UNDIMENSIONED FEATURES MAY VARY	

L-com CONNECTIVITY PRODUCTS		45 BEECHWOOD DRIVE NORTH ANDOVER, MA 01845	
CATEGORY DATA CABLING			
PRODUCT DESCRIPTION DB15 & HD26 HOOD KIT			
SIZE A	FSCM NO. 43321	DWG. NO. SDC15AG	REV. A
SCALE: NONE CAD FILE: SDC15AG.SLDDRW			SHEET 1 OF 1

X-ON Electronics

Largest Supplier of Electrical and Electronic Components

Click to view similar products for [L-Com](#) manufacturer:

Other Similar products are found below :

[AVG2-KVM](#) [DVIHDMF](#) [TSP4088C5](#) [CAUALB-3M](#) [CA-RSPNMA002](#) [HG913Y-NF](#) [CSMNB15MF-15](#) [CSMNB15MM-10](#)
[TRD815RA2BLK-5](#) [TRD815RA2BL-5](#) [WJ670300](#) [CSM9MF-2.5](#) [CA3A-90DA-1M](#) [CA3A-90LA-05M](#) [CA3A-90LMICB-03M](#) [CA3A-90RMICB-03M](#) [U3A00003-03M](#) [CTLF3VGAMM-20](#) [HDCAMM-3](#) [U3A00013-105M](#) [TSP8048C5S-10PK](#) [CSMT15MM-25](#) [CSPL25MM-50](#) [CSPL9MF-10](#) [CSPL9MF-5](#) [CSPL25MF-5](#) [TRD855HFB-1M](#) [TRD855HFB-4M](#) [TRD855HFB-5M](#) [AL-IPEPS](#) [NB201611-10F-1](#) [NB121005-10F](#) [TRD855SRA6DBL-1M](#) [TRD855SRA7DBL-10M](#) [U2A00016-3M](#) [U2A00017-03M](#) [PR175SCDLCQ24](#) [U3A00089-2M](#) [TRA5261S-1F](#) [TRA6261-1F](#) [TRA6261-25F](#) [HG2415U-PRO-5PK](#) [USBBFT](#) [DGB25F](#) [CAUBLKAB-1M](#) [CASATAL-18](#) [CIB24-6M](#) [CA3A-90LMICB-1M](#) [U2A00001-5M](#) [U3A00008-1M](#)