



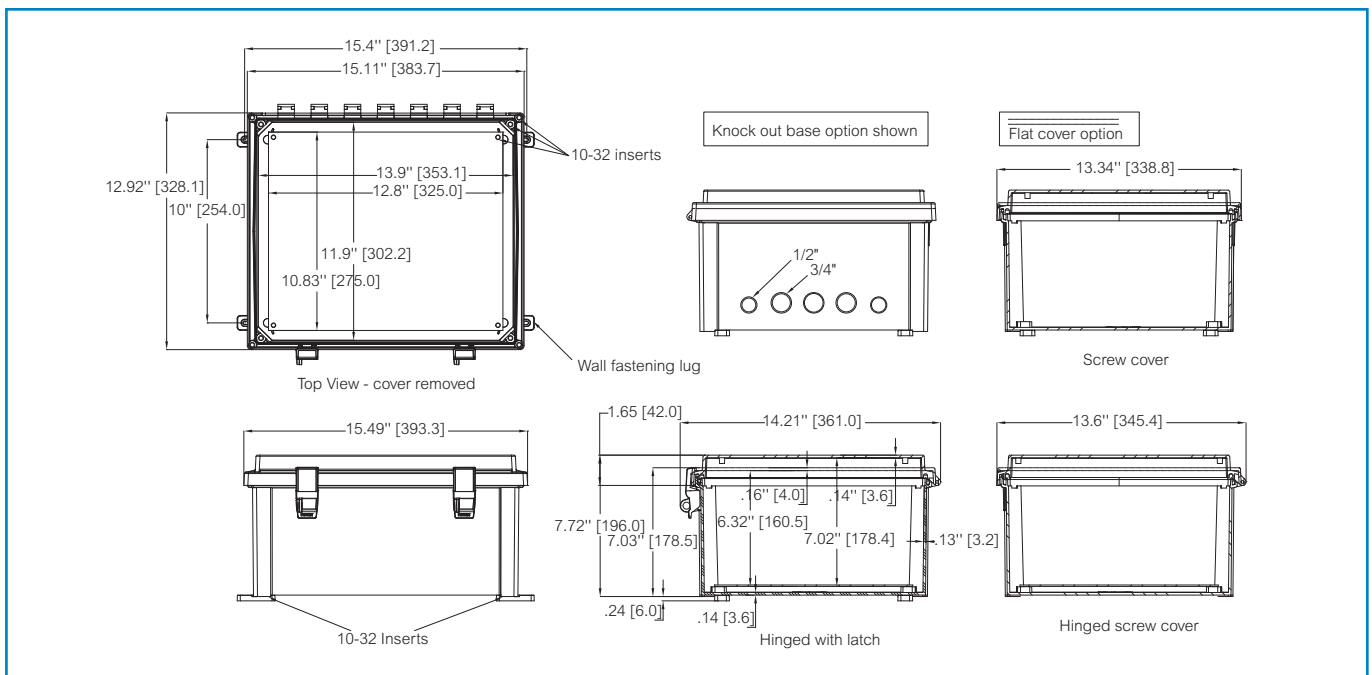
Sample photo

**Order symbol:** AR14127CHSSL  
**Product nbr:** 8561030  
**Description:** PC Enclosure  
**Remarks:** Hinged opaque cover w/S.S. Lockable latch

**EAN:** 6418074066817  
**El. number:**  
**Finland:**

Including: Hinged cover base with 10-32 brass inserts, latched cover with formed in place PUR gasket, and stainless hinge pin. Quick release latches. (Latch options available.) Enclosure mounting foot kit. Accessory 10-32 screws for panel mounting.

Dimensions:				Accessories:	
	Length	Width	Height		
<b>mm:</b>	356	305	178	ALBP1412	Aluminum Back Panel
<b>inch:</b>	14.0	12.0	7.0	ADFP1412	Dead Front Panel w/ screws
<b>Materials:</b>				ASP1412	Aluminum Swing Panel
<b>Material:</b>	Polycarbonate			ASPK1412	Swing Panel Kit incl. Panel
<b>Base colour:</b>	RAL 7035 -light grey			ASPHK14	Swing Panel Kit w/o Panel
<b>Cover screws material:</b>	Stainless steel			AMFL12	12" Mounting Flange Set
<b>Cover colour:</b>	RAL 7035 -light grey			<b>Rating:</b>	
<b>Gasket material:</b>	Polyurethane			Ingress Protection (EN 60529): IP66/IP67	
<b>Temperatures:</b>				Impact Resistance (EN 62262): IK07/IK08	
<b>Temperature °C (short term):</b>	-40 ... 140 °C			Electrical insulation: Totally insulated	
<b>Temperature °C (continuous):</b>	-40 ... 80 °C			Halogen free (DIN/VDE 0472, Part 815): 1	
<b>Temperature °F (short term):</b>	-40 ... 284 °F			UV resistance: UL 508	
<b>Temperature °F (continuous):</b>	-40 ... 175 °F			Flammability Rating: UL 508	
<b>Accessories:</b>				Glow Wire Test (IEC 695-2-1) °C: 960	
ABP1412	Painted Steel Back Panel			NEMA Class: UL Type 4, 4X, 6, 6P, 12 and 13	



## X-ON Electronics

Largest Supplier of Electrical and Electronic Components

*Click to view similar products for [Fibox](#) manufacturer:*

Other Similar products are found below :

[PC 100/100 HG ENCLOSURE](#) [PCT 162509](#) [ABS F 65 G](#) [CAB P 302017](#) [CAB PC 303018 G3B](#) [ABQ3 153410](#) [CAB PCQ 404017 G](#) [PC 2819 13 T-2FSH](#) [PC 5628 13 T](#) [TAM 090706 MC](#) [TAM201610](#) [ARCA 203015](#) [ARCA 604021](#) [EKPVT 2539547](#) [PC 100/75 HT](#) [PCM 125/100 G](#) [CAB PC 403018 G](#) [PC 125/125 HG](#) [7094450](#) [PC 200/150 HT](#) [PCM 175/100 T](#) [PCT 121210](#) [9821007](#) [EKPE 130 T ENCLOSURE](#) [ABS C 85 G](#) [FEX 3828 18 T ENCLOSURE](#) [7811250](#) [CAB PC 302018 T CABINET](#) [CAB PC 303018 T CABINET](#) [CAB PCQ 403023 T](#) [CAB PCQ 603017G](#) [CAB PC 604022 T3B CABINET](#) [PC 30/25-3 ENCLOSURE](#) [AR14127CHSS](#) [EKTH 130 T](#) [EKUH 180 G](#) [EKUH 180 T](#) [AR1086CHLT](#) [AR181610CHSC](#) [FP 36/31](#) [MP 1912](#) [PC 071004](#) [PC 175/150 HG](#) [PC 3819 18 T-2FSH](#) [PC 5628 13 T-3FSH](#) [8120843](#)  
[8120844](#) [8120845](#) [8120846](#)