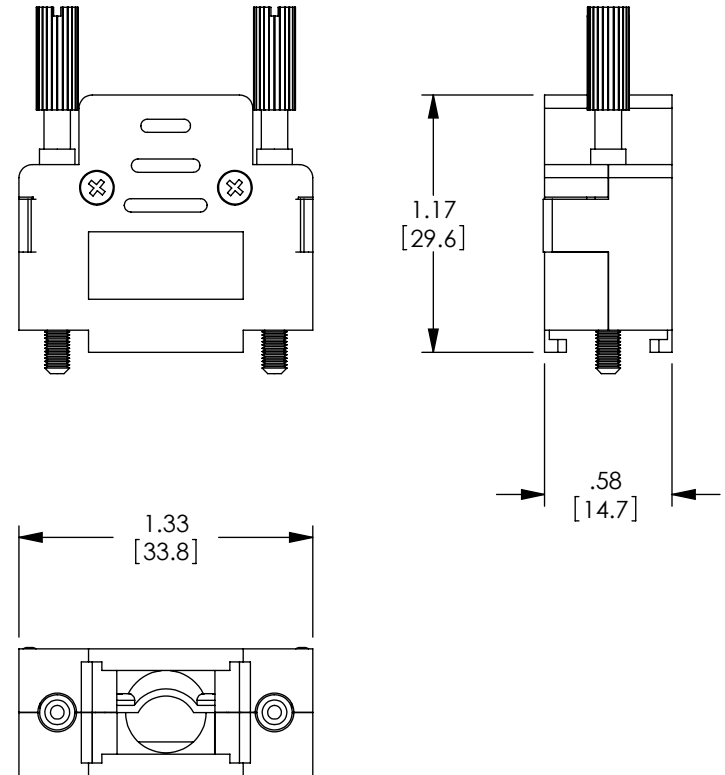
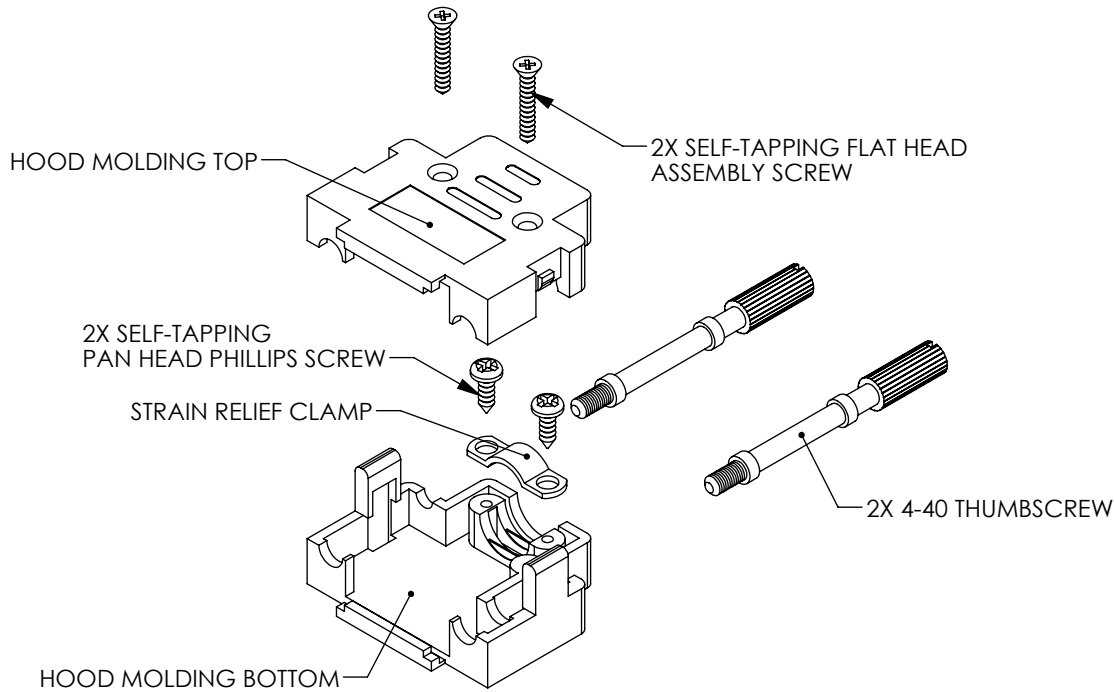


THE INFORMATION CONTAINED IN THIS DRAWING IS THE SOLE PROPERTY OF L-COM, INC. ANY REPRODUCTION IN PART OR WHOLE WITHOUT THE WRITTEN PERMISSION OF L-COM, INC. IS PROHIBITED.

REVISIONS			
REV	DESCRIPTION	DATE	APPROVED
A	INITIAL RELEASE	6/1/2004	T. CLARK
B	ECN 4624: REVISED MATERIALS AND FINISHES, NEW FORMAT	3/19/10	D. FRISIELLO



**NOTES:**


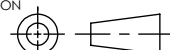
**MATERIAL:**  
 HOOD MOLDING: ABS THERMOPLASTIC  
 THUMBSCREW: STEEL  
 SELF-TAPPING SCREW: STEEL  
 STRAIN RELIEF CLAMP: STEEL

**FINISH:**  
 HOOD MOLDING: METALIZED, CHROME ALL SURFACES  
 THUMBSCREW: NICKEL PLATED  
 SELF-TAPPING SCREW: NICKEL PLATED  
 STRAIN RELIEF CLAMP: NICKEL PLATED

COMPONENT ASSEMBLY SHALL BE INDIVIDUALLY PACKAGED IN ACCORDANCE WITH L-COM SPECIFICATION PS-0031.

ALL DIMENSIONS ARE FOR REFERENCE ONLY.

**RoHS Compliant** ✓

UNLESS OTHERWISE SPECIFIED, DIMENSIONS ARE IN INCHES [mm]  DIMENSIONAL TOLERANCES: .X = ±.1 .XX = ±.02 .XXX = ±.005  ANGULAR TOLERANCES: ALL = ± 1°	APPROVALS	DATE		45 BEECHWOOD DRIVE NORTH ANDOVER, MA 01845	
	DRAWN BY T. CLARK	5/24/2004			
	CHECKED BY D. PARHAM	6/1/2004	CATEGORY DATA		
	APPROVED BY R. CARRICK	6/1/2004	PRODUCT DESCRIPTION DB9/HDB15 METALLIZED HOOD KIT		
PROJECTION 	COLOR VARIATIONS MAY OCCUR	SIZE <b>A</b>	FSCM NO. <b>43321</b>	DWG. NO. SDRS09HOT	REV. <b>B</b>
		SCALE: NONE	CAD FILE: SDRS09HOT.SLDDRW		SHEET 1 OF 1

## X-ON Electronics

Largest Supplier of Electrical and Electronic Components

*Click to view similar products for [L-Com](#) manufacturer:*

Other Similar products are found below :

[AVG2-KVM](#) [DVIHDMF](#) [TSP4088C5](#) [CAUALB-3M](#) [CA-RSPNMA002](#) [HG913Y-NF](#) [CSMNB15MF-15](#) [CSMNB15MM-10](#)  
[TRD815RA2BLK-5](#) [TRD815RA2BL-5](#) [WJ670300](#) [CSM9MF-2.5](#) [CA3A-90DA-1M](#) [CA3A-90LA-05M](#) [CA3A-90LMICB-03M](#) [CA3A-90RMICB-03M](#) [U3A00003-03M](#) [CTLF3VGAMM-20](#) [HDCAMM-3](#) [U3A00013-105M](#) [TSP8048C5S-10PK](#) [CSMT15MM-25](#) [CSPL25MM-50](#) [CSPL9MF-10](#) [CSPL9MF-5](#) [CSPL25MF-5](#) [TRD855HFB-1M](#) [TRD855HFB-4M](#) [TRD855HFB-5M](#) [AL-IPEPS](#) [NB201611-10F-1](#) [NB121005-10F](#) [TRD855SRA6DBL-1M](#) [TRD855SRA7DBL-10M](#) [U2A00016-3M](#) [U2A00017-03M](#) [PR175SCDLCQ24](#) [U3A00089-2M](#) [TRA5261S-1F](#) [TRA6261-1F](#) [TRA6261-25F](#) [HG2415U-PRO-5PK](#) [USBBFT](#) [DGB25F](#) [CAUBLKAB-1M](#) [CASATAL-18](#) [CIB24-6M](#) [CA3A-90LMICB-1M](#) [U2A00001-5M](#) [U3A00008-1M](#)