



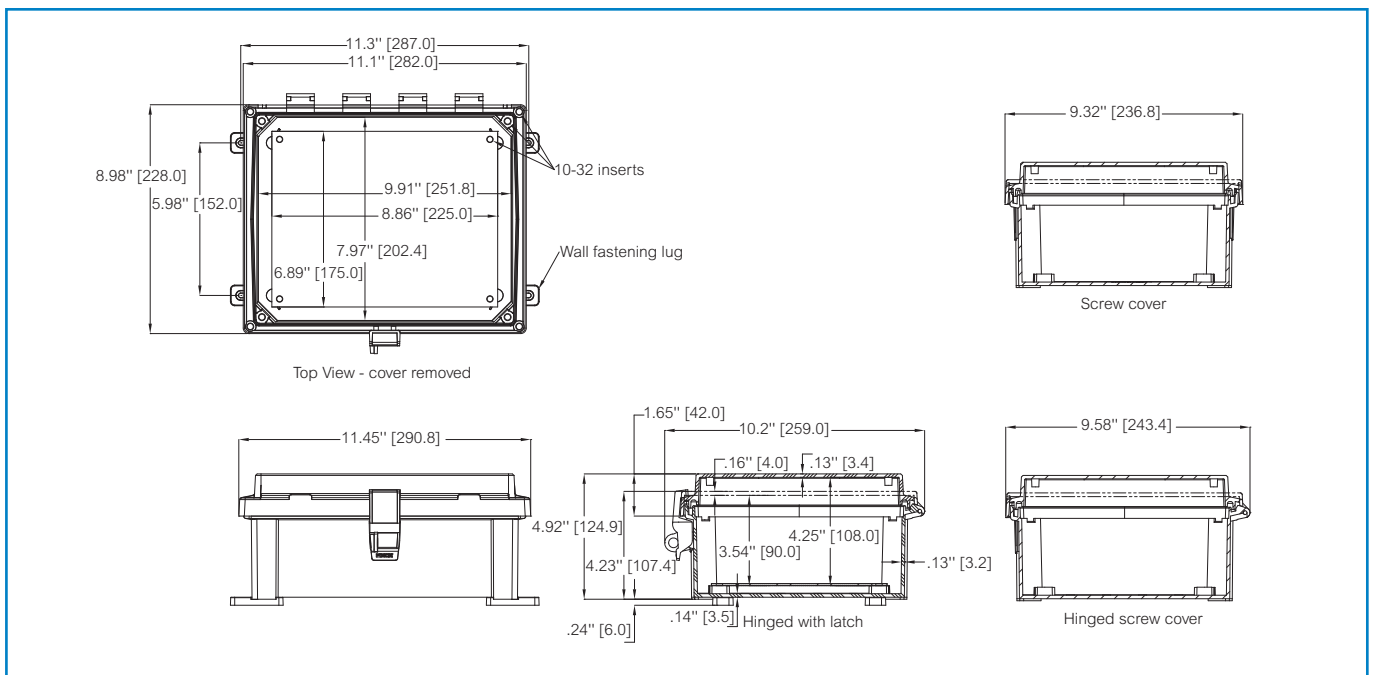
Sample photo

Order symbol: AR1084CHSSL
Product nbr: 8561100
Description: PC Enclosure
Remarks: Hinged opaque cover w/S.S. Lockable latch

EAN: 6418074066732
EI. number:
Finland:

Including: Hinged cover base with 10-32 brass inserts, latched cover with formed in place PUR gasket, and stainless hinge pin. Quick release latches. (Latch options available.) Enclosure mounting foot kit. Accessory 10-32 screws for panel mounting.

| Dimensions: | Length | Width | Height | Accessories: | |
|-------------------------------------|--------------------------|-------|--------|---|-----------------------------|
| mm: | 254 | 203 | 102 | ALBP108 | Aluminum Back Panel |
| inch: | 10.0 | 8.0 | 4.0 | ADFP108 | Dead Front Panel w/ screws |
| Materials: | | | | ASP108 | Aluminum Swing Panel |
| Material: | Polycarbonate | | | ASPK108 | Swing Panel Kit incl. Panel |
| Base colour: | RAL 7035 -light grey | | | ASPHK10 | Swing Panel Kit w/o Panel |
| Cover screws material: | Stainless steel | | | AMFL8 | 8" Mounting Flange Set |
| Cover colour: | RAL 7035 -light grey | | | Rating: | |
| Gasket material: | Polyurethane | | | Ingress Protection (EN 60529): IP66/IP67 | |
| Temperatures: | | | | Electrical insulation: Totally insulated | |
| Temperature °C (short term): | -40 ... 140 °C | | | Halogen free (DIN/VDE 0472, Part 815): 0 | |
| Temperature °C (continuous): | -40 ... 80 °C | | | UV resistance: UL 508 | |
| Temperature °F (short term): | -40 ... 284 °F | | | Flammability Rating: UL 508 | |
| Temperature °F (continuous): | -40 ... 175 °F | | | Glow Wire Test (IEC 695-2-1) °C: 960 | |
| Accessories: | | | | NEMA Class: UL Type 4, 4X, 6, 6P, 12 and 13 | |
| ABP108 | Painted Steel Back Panel | | | | |



X-ON Electronics

Largest Supplier of Electrical and Electronic Components

Click to view similar products for [Fibox](#) manufacturer:

Other Similar products are found below :

[PC 100/100 HG ENCLOSURE](#) [PCT 162509](#) [ABS F 65 G](#) [CAB P 302017](#) [CAB PC 303018 G3B](#) [ABQ3 153410](#) [CAB PCQ 404017 G](#) [PC 2819 13 T-2FSH](#) [PC 5628 13 T](#) [TAM 090706 MC](#) [TAM201610](#) [ARCA 203015](#) [ARCA 604021](#) [EKPVT 2539547](#) [PC 100/75 HT](#) [PCM 125/100 G](#) [CAB PC 403018 G](#) [PC 125/125 HG](#) [7094450](#) [PC 200/150 HT](#) [PCM 175/100 T](#) [PCT 121210](#) [9821007](#) [EKPE 130 T ENCLOSURE](#) [ABS C 85 G](#) [FEX 3828 18 T ENCLOSURE](#) [7811250](#) [CAB PC 302018 T CABINET](#) [CAB PC 303018 T CABINET](#) [CAB PCQ 403023 T](#) [CAB PCQ 603017G](#) [CAB PC 604022 T3B CABINET](#) [PC 30/25-3 ENCLOSURE](#) [AR14127CHSS](#) [EKTH 130 T](#) [EKUH 180 G](#) [EKUH 180 T](#) [AR1086CHLT](#) [AR181610CHSC](#) [FP 36/31](#) [MP 1912](#) [PC 071004](#) [PC 175/150 HG](#) [PC 3819 18 T-2FSH](#) [PC 5628 13 T-3FSH](#) [8120843](#) [8120844](#) [8120845](#) [8120846](#)