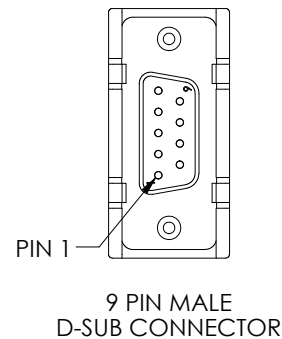
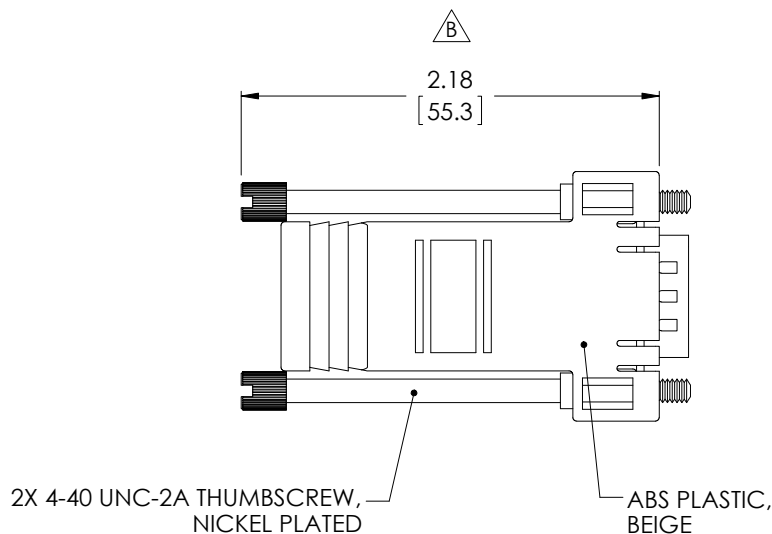
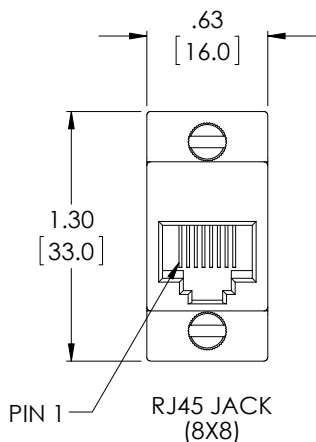
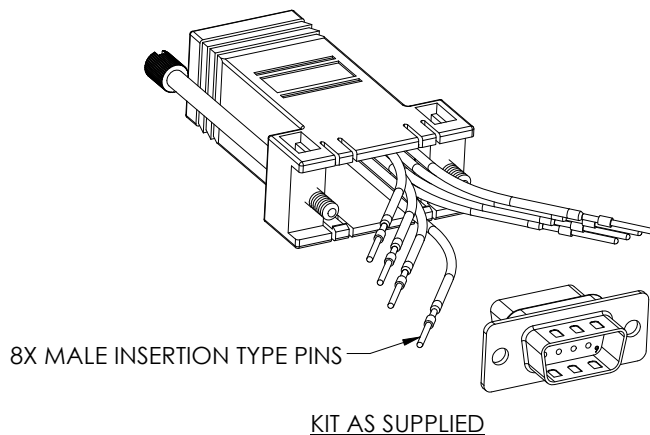


THE INFORMATION CONTAINED IN THIS DRAWING IS THE SOLE PROPERTY OF L-COM, INC. ANY REPRODUCTION IN PART OR WHOLE WITHOUT THE WRITTEN PERMISSION OF L-COM, INC. IS PROHIBITED.

REVISIONS			
REV	DESCRIPTION	DATE	APPROVED
A	RELEASED TO PRODUCTION	1/10/01	MCCORMICK
B	ECN 6971: UPDATED DESIGN, FORMAT, PACKAGING	7/22/13	D_DESJARDIN



WIRING CHART	
RJ45 JACK	COLOR
PIN 1	BLUE
PIN 2	ORANGE
PIN 3	BLACK
PIN 4	RED
PIN 5	GREEN
PIN 6	YELLOW
PIN 7	BROWN
PIN 8	WHITE



**NOTES:**

- ADAPTER KIT SHALL BE INDIVIDUALLY PACKAGED UN-ASSEMBLED IN ACCORDANCE WITH L-COM SPECIFICATION PS-0031.
- ALL DIMENSIONS ARE FOR REFERENCE ONLY

**REGULATORY COMPLIANCE:**  
ROHS, CE

UNLESS OTHERWISE SPECIFIED, DIMENSIONS ARE IN INCHES [mm] OVERALL CABLE LENGTH TOLERANCE: $\leq 12$ [305] = +1 [25] / -0 $>12$ [305] $\leq 60$ [1524] = +2 [51] / -0 $>60$ [1524] $\leq 120$ [3048] = +4 [102] / -0 $>120$ [3048] $\leq 300$ [7620] = +6 [152] / -0 $>300$ [7620] = +5% / -0% ALL OTHER DIMENSIONAL TOLERANCES: .X = $\pm .2$ [5.08] .XX = $\pm .02$ [1.51] .XXX = $\pm .005$ [1.13]	APPROVALS C. MCCORMICK CHECKED BY D. PARHAM APPROVED BY R. CARRICK	DATE 1/10/01 1/18/01 1/18/01	45 BEECHWOOD DRIVE NORTH ANDOVER, MA 01845
	CONFIGURATION DETAILS OF UNDIMENSIONED FEATURES MAY VARY		CATEGORY TELECOM/MODULAR
	COLOR VARIATIONS MAY OCCUR		PRODUCT DESCRIPTION ADAPTOR KIT, DB9M/RJ45 JACK
	PROJECTION 	SCALE: NONE	FSCM NO. <b>43321</b> DWG. NO. <b>RA098M</b> CAD FILE: RA098M.SLDDRW

## X-ON Electronics

Largest Supplier of Electrical and Electronic Components

*Click to view similar products for [L-Com](#) manufacturer:*

Other Similar products are found below :

[AVG2-KVM](#) [DVIHDMF](#) [TSP4088C5](#) [CAUALB-3M](#) [CA-RSPNMA002](#) [HG913Y-NF](#) [CSMNB15MF-15](#) [CSMNB15MM-10](#)  
[TRD815RA2BLK-5](#) [TRD815RA2BL-5](#) [WJ670300](#) [CSM9MF-2.5](#) [CA3A-90DA-1M](#) [CA3A-90LA-05M](#) [CA3A-90LMICB-03M](#) [CA3A-90RMICB-03M](#) [U3A00003-03M](#) [CTLF3VGAMM-20](#) [HDCAMM-3](#) [U3A00013-105M](#) [TSP8048C5S-10PK](#) [CSMT15MM-25](#) [CSPL25MM-50](#) [CSPL9MF-10](#) [CSPL9MF-5](#) [CSPL25MF-5](#) [TRD855HFB-1M](#) [TRD855HFB-4M](#) [TRD855HFB-5M](#) [AL-IPEPS](#) [NB201611-10F-1](#) [NB121005-10F](#) [TRD855SRA6DBL-1M](#) [TRD855SRA7DBL-10M](#) [U2A00016-3M](#) [U2A00017-03M](#) [PR175SCDLCQ24](#) [U3A00089-2M](#) [TRA5261S-1F](#) [TRA6261-1F](#) [TRA6261-25F](#) [HG2415U-PRO-5PK](#) [USBBFT](#) [DGB25F](#) [CAUBLKAB-1M](#) [CASATAL-18](#) [CIB24-6M](#) [CA3A-90LMICB-1M](#) [U2A00001-5M](#) [U3A00008-1M](#)