



www.ilme.com

E-Xtreme[®]



Titanium plasma protected

3.000 hours in salt spray tests

AVAILABLE 2017





E-Xtreme® series

CORROSION-PROOF METAL ENCLOSURES
3.000 HOURS IN SALT SPRAY TESTS



salt mist



frequent matings

V-Type lever version

For extreme environments as: **icing, very low temperatures, impact resistant, salt mist and chemical resistant.** The lever handle is in **stainless steel** and the locking device guarantees an **IP66/IP67 protection degree.**

V-Type lever





icing



impact resistant



very low temperatures



UV radiations



chemical resistant

C-Type lever version

For extreme environments as: **salt mist, UV radiations, chemical resistant and frequent matings.**
The lever handle is in **polyamide and stainless steel** and the locking device guarantees an **IP65/IP66 protection degree.**





icing



impact resistant



very low temperatures



UV radiations



chemical resistant

ADVANTAGES

Metal hoods and housings intended for **extremely demanding environments**, with special protective treatment under painting. Their **special patented protective coating** assures a high level of protection against the corrosion even in case of long term exposure to salt mist.

- 3.000 hours in salt spray tests



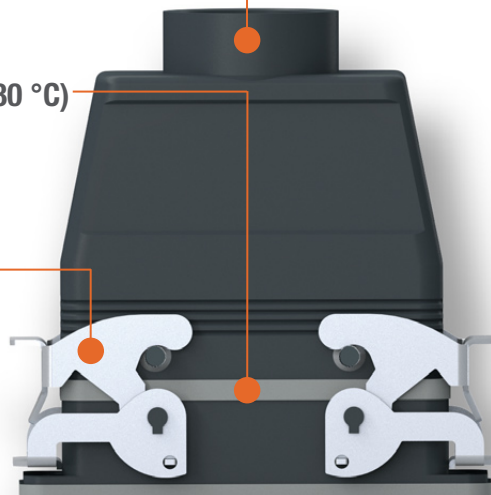
- IP66, IP67, IP69 protection degree (EN 60529)

- corrosion-proof aluminium with a special coating under the powder painting colour RAL 7016 dark grey

- FKM gasket (-40 °C...+180 °C) or silicone gasket (-60 °C...+180 °C)

- V-Type lever or C-Type lever, hoods with moulded pegs or riveted stainless steel bolts

- durable protection against damage caused by stone-chip, icing, salt mist, UV radiations and harsh gases



icing



very low temperatures



salt mist



impact resistant



UV radiations



chemical resistant



Titanium plasma protected

3.000 hours in salt spray tests



TECHNICAL DETAILS

The protection is granted also in case of impact with stones and sand. The materials are able to withstand UV radiations, a wide temperature range and harsh chemicals. The E-Xtreme® series is available in the **full range** of Ilme aluminum hoods and housings versions.

applicable test standards

EN 61984:2010-04	Connectors - Safety requirements and tests
EN 60529:2001-02	Degrees of protection provided by enclosures (IP code)
EN ISO 9227 Ed 2.0	Corrosion tests in artificial atmospheres - Salt spray tests
ASTM B117-09	Standard practice for operating salt spray (fog) apparatus
EN 60512 (series)	Connectors for electronic equipment - Tests and measurement
EN 60068-2-68: 1996	Environmental testing - Part 2-68: Tests - Test L: Dust and sand
EN ISO 20567-1: 2005	Paints and varnishes -- Determination of stone-chip resistance of coatings -- Part 1: Multi-impact testing

general specifications

Material	Aluminum die-cast
Painting	Epoxy powder coating
Colour	RAL 7016 (dark grey)
Locking lever, springs and pegs	Stainless steel
Lever handle	C-Type lever (+125 °C): Polyamide V-Type lever (+180 °C): Stainless steel
Gasket	FKM
Silicon-based compounds	Free
EN ISO 9227 Ed 2.0	3.000 hours (V-Type lever and hood with moulded pegs) 2.000 hours (C-Type lever and hood with riveted stainless steel bolts)
Temperature limits	-40 °C... +125 °C (-60 °C... +180 °C with silicone gasket)
Degree of protection according to IEC/EN 60529 (in mated and locked condition) (IP69K according to ISO 20653, former DIN 40050-9)	IP65, IP66, IP67, IP68 (CG), IP69, IP69K
Stone chipping test	ISO 20567-1
Dust and sand blasting test	EN 60068-2-68
Vibration test	EN 61373 cat. 1B, 3 axis EN 60068-2-6 10+500 Hz 0,35mm/5g break point 60.1 Hz 3 axis
Shock test	EN 61373 cat. 1B, 3 axis
UV resistance	EN ISO 4892-2, EN 50467 on locked housings
Ozone resistance	EN 50467 on locked housings
Chemical resistance	Cleaning fluids, anti-freezing fluids, mineral and synthetic oils, cooling fluids, diesel fuel



www.ilme.com



Choose your connector



I.L.M.E. SpA
Via Marco Antonio Colonna, 9
20149 Milano - Italy
www.ilme.com



X-ON Electronics

Largest Supplier of Electrical and Electronic Components

Click to view similar products for [ILME manufacturer](#):

Other Similar products are found below :

[TAPC 06 L25](#) [TAPC 10.25](#) [TAPW 06 L25](#) [PE3265PI](#) [CHP 16 LS2](#) [ASM20I](#) [KI3243EB6](#) [CQEM18](#) [CCPZTP](#) [CKAX 03 I](#) [TAPH 10.32](#)
[TAVC 24 G40](#) [TMAO 24.40](#) [THCH 06 LG](#) [THIW 16](#) [PE3265SMB](#) [PE1663PI](#) [CQEF32](#) [CCES](#) [CQES](#) [CHO 16 X](#) [CHO 06 L13](#) [TAVC 10](#)
[G32](#) [TAPH 16.32](#) [PE3264SV](#) [CHC10LG](#) [CDDF72](#) [CDMD0.5](#) [CZIR 06 L](#) [TAVW 10 G32](#) [CAVR 06 L21](#) [TAPC 16.32](#) [TAVH 10 G32](#)
[THIH 06 L](#) [AS C13T](#) [CAP 24 CS29](#) [PEW3263PV](#) [CHO 16 L](#) [TAVC 06 LG32](#) [TAVH 10 G25](#) [CDSHF 09](#) [TAPH 24.32](#) [THIW 10](#) [AS C16T](#)
[CRR 36](#) [CRR 42](#) [CHP 48 LS](#) [CDSHF 27 N](#) [CHIR 10](#) [TAVC 06 LG25](#)