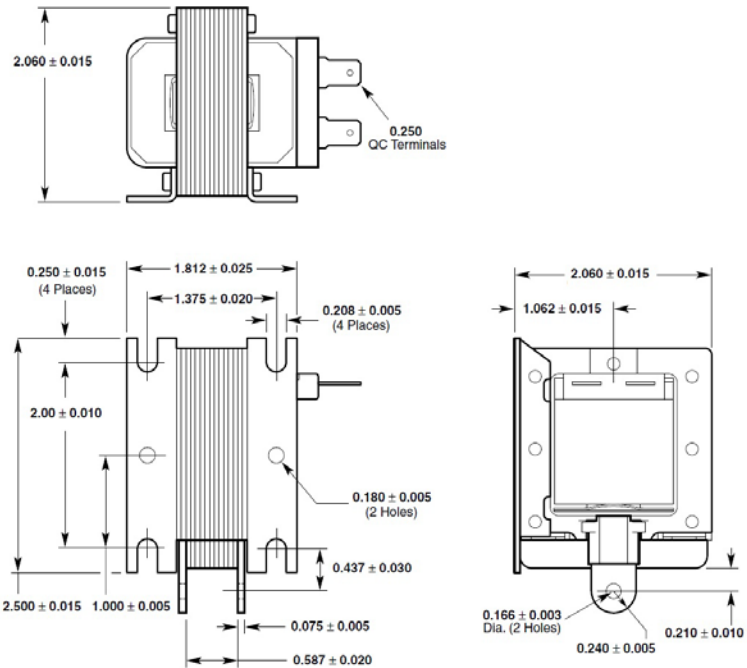
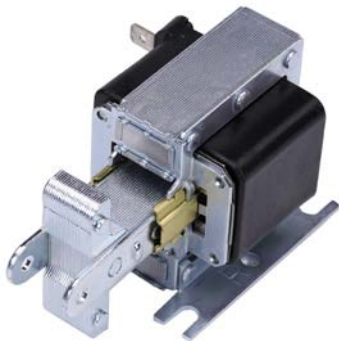


Series 2000 – 3/4" Stack

AC Laminated Pull Solenoid

Size: 2.500" L X 1.812" W X 2.060"H

ALL PRODUCTS ARE RoHS COMPLIANT



Solenoid shown energized in drawing with plunger fully seated

Part No.	Duty Cycle	Voltage	Resistance (Ω) ± 5%	Max On Time	Watts Seated (W)	Current Seated (A)
2005-F-34	Continuous	120 VAC / 60Hz	20.5	∞	17.9	0.43
2255-F-34	Intermittent	120 VAC / 60 Hz	18.3	3 Mins	23.5	0.64
2006-F-34	Continuous	240 VAC / 60 Hz	82.0	∞	17.5	0.22
2256-F-34	Intermittent	240 VAC / 60 Hz	73.5	3 Mins	23.8	0.32

Continuous Duty = 100% "On" Time
 Intermittent Duty = 20% "On" Time
 When ordering please refer to Part No. as listed above

Stroke (in.)	Typical Pull Force (oz.)								Holding Force (oz.)
	0.060	0.125	0.250	0.375	0.500	0.625	0.750	1.000	
Continuous Duty	160	128	101	97	100	110	96	64	112
Intermittent Duty	192	160	128	120	120	110	101	64	N/A

Additional Specifications:

- Dielectric Strength: 1500 VRMS
- Heat Sink: None
- Coil Insulation: Class "F"; 155°C Max Temperature
- Coil Termination: 1/4" Quick Connect Terminals
- Total Unit Weight: 18 oz. / 510 g



innovating motion

X-ON Electronics

Largest Supplier of Electrical and Electronic Components

Click to view similar products for [Saia-Burgess](#) manufacturer:

Other Similar products are found below :

[KOL251H7MKVVPN00](#) [E1ACAAAE](#) [KOP512KK7MWVPN00A](#) [404019/464407](#) [414119/464407](#) [XGG2-88-J22Z1](#) [J84211213](#) [V4NST9UL](#)
[KOP260F0MWVAN00](#) [V9NLR1V-3.0M](#) [UDS1UR6M50CANCZ183](#) [V4NCT7-A1](#) [P2/3FCC 209](#) [195225-233](#) [KOL321H7MRVPN00](#)
[195227-231](#) [KOP170J7MWVPN00](#) [V4NCST7C2-AR10](#) [XGG2-88-S20Z1](#) [V9N](#) [XCG13-L1](#) [XGC2-88-J23](#) [XCG12-L1](#) [V3SYR1UL](#) [195223-](#)
[237](#) [KOL360H7MRVPN00](#) [XGG6-88](#) [V4NST7XUL](#) [XCF5Z1](#) [195222-234](#) [195222-237](#) [QA4/3260](#) [KOL311H7MRVPN00](#) [XGG2-88-J23Z1](#)
[195227-228](#) [V4LSK2](#) [V3SUL](#) [V4NC4SET9-NI1](#) [V4NCT7-Y1](#) [XCG5-J1Z1](#) [F5T8GPUL](#) [XCG11-J1Z1](#) [4BRSH](#) [195226-231](#) [XCG10-J1Z1](#)
[195226-228](#) [F1NST8GP](#) [XCF8Z1](#) [KOL312H7MRVPN00](#) [XGC2-88-S20Z1](#)