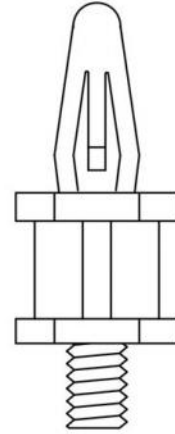
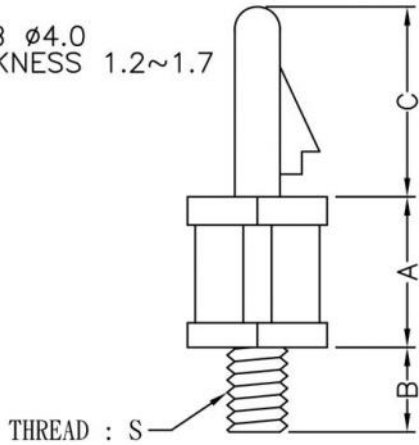


P.C.B  $\phi$ 4.0  
THICKNESS 1.2~1.7



A	B	C	S
6.3	4.8	10.0	M3*0.5

S	SCREW NUT
---	-----------

All measurement does not include gate which raises under 0.3mm.

**Akust Technology Co., Ltd**  
亞冠國際有限公司

PART NUMBER		AV01-0022-AKS		SPEC. DWG.	
TITLE					
MATERIAL				COLOR	
NYLON 66(UL) 94V-0				BLACK	
SIZE	SCALE	UNIT	CHECK		
A4	2:1	mm	Z.C		

## **X-ON Electronics**

Largest Supplier of Electrical and Electronic Components

*Click to view similar products for [AKUST TECHNOLOGY](#) manufacturer:*

Other Similar products are found below :

[FG04-0114-AKS](#) [BAB/CG](#) [SK00-0038-AKS](#) [FG00-0040-AKS](#) [SK00-0044-AKS](#)