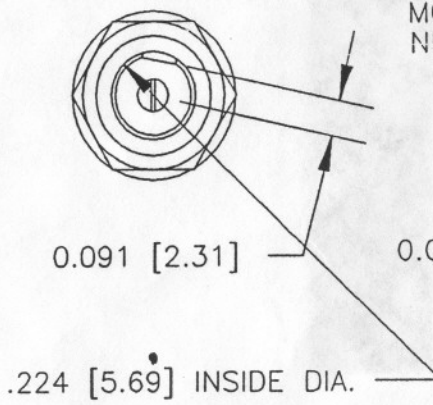
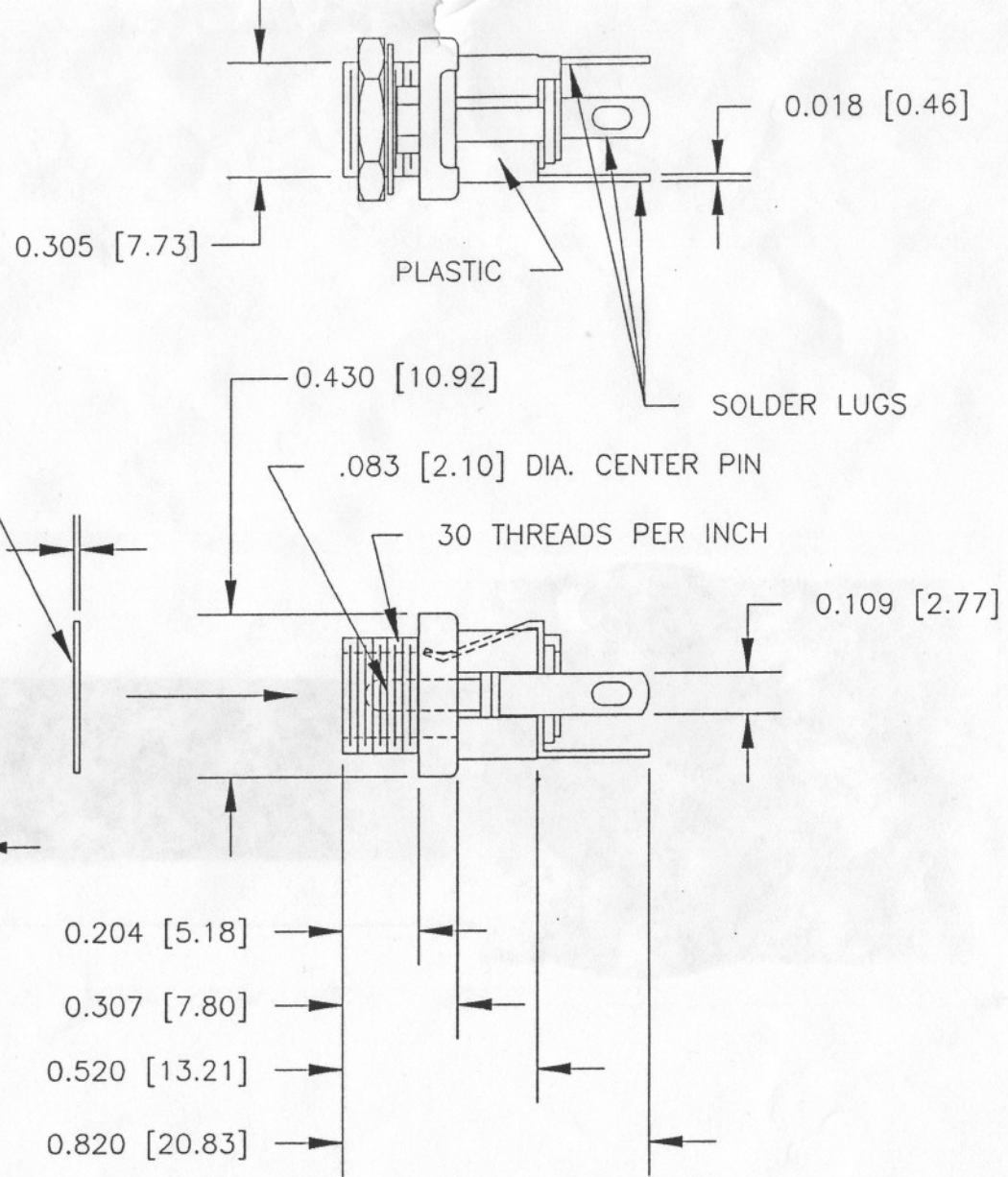


NOTES:

- 1) CODE: GREEN
- 2) FOR USE WITH THE 27-130, (5.5mm X 2.1mm DC PLUG)
- 3) MOUNTING HOLE: .305 [7.74] DIA.
- 4) MOUNTING DEPTH: 1/8", .125, [3.17] MAX.
- 5) MATERIAL:
 BODY: PLASTIC (BLACK)
 MOUNTING SHAFT, LUGS & HARDWARE: NICKEL-PLATED BRASS
- 6) HARDWARE: (ATTACHED)
 ONE MOUNTING NUT
 ONE WASHER
- 7) PACKAGING: POLY BAG WITH MCM HEADER
 ONE JACK PER BAG
- 8) TOLERANCE: $\pm 1/32$, .03, [.8]
- 9) DIMENSIONS ARE IN INCHES [MILLIMETERS]



MCM ELECTRONICS
 PRODUCT SPECIFICATION

DRAWN BY: *ST*
 APPROVED BY: *GC*
 SCALE: 2X

Copyright: MCM Electronics
 This is an original publication of MCM Electronics for the sole use of its designated agents and no part or portion thereof may be reproduced in any form whatsoever without written authorization from MCM Electronics.

DATE:	REVISION

MCM PART# 27-750	DESCRIPTION: 2.1mm DC JACK	DATE: 2/27/90
------------------	----------------------------	---------------

X-ON Electronics

Largest Supplier of Electrical and Electronic Components

Click to view similar products for [MCM manufacturer](#):

Other Similar products are found below :

[NWTBATCAPMB13](#) [25-020](#) [27-505](#) [27-4155](#) [27-840](#) [28-0755](#) [28-5958](#) [50-10820](#) [37-330](#) [PI-UPTIMEUPS](#) [27-5918](#) [27-5977](#) [12-3410](#) [28-6023](#) [55-3230](#) [35SPS-3](#) [28-6008](#) [22-26180](#) [17705](#) [55-5675](#) [27-6020](#) [24-12352](#) [21-7655](#) [28-6017](#) [53-1230](#) [28-5965](#) [21-18966](#) [22-1640](#) [27-4200](#) [83-17607](#) [27-5833](#) [27-5925](#) [24-12344](#) [12-3404](#) [PCM-2100-50](#) [21-19004](#) [28-6080](#) [22-665](#) [24-1040](#) [27-5917](#) [28-6005](#) [55-5670](#)
[HD15MM35N-100F](#) [21-4605](#) [21-12825](#) [24-5360](#) [27-4270](#) [27-5940](#) [27-5949](#) [27-6112](#)