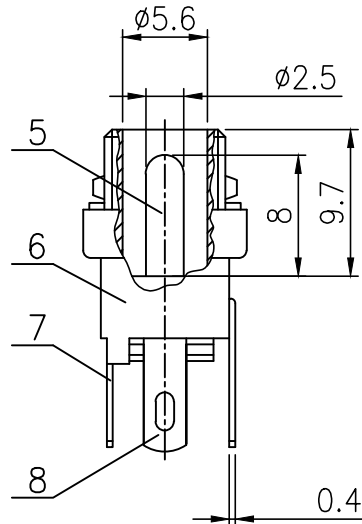
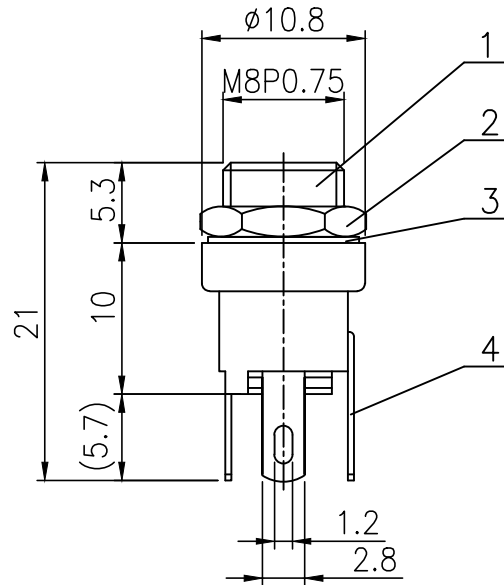


CUSTOMER	MCM	FILE NO.	27-755
----------	-----	----------	--------

THIS DRAWING AND SPECIFICATIONS, HEREIN ARE THE CONFIDENTIAL PROPERTY OF MCM AND SHALL NOT BE REPRODUCED OR COPIED OR DISCLOSED IN WHOLE OR IN PART WITHOUT WRITTEN PERMISSION.

REV.	DESCRIPTION	DRAWN / DATE	APPROVED / DATE
0	INITIAL RELEASE	YANG 09/05/2003	LIN 09/05/2003
1	CHANGE DIM.	YANG 12/08/2009	LIN 12/08/2009
2	CORRECTED SPEC.	FR0S 06/18/2013	FR0S 06/18/2013



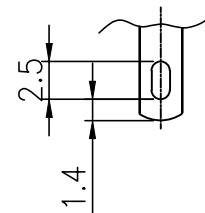
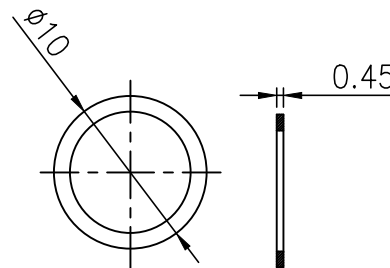
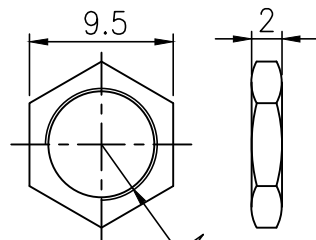
Mechanical:

1. Life; 5000 Insertion/Withdrawal Cycle Min.
2. Insertion/withdrawal force: 5-20N

Electrical:

1. Contact Resistance: 0.1Ω Max.
2. Insulation Resistance: 100M Min.
3. Dielectric Withstanding Voltage: 500V AC Max.
4. Contact Rating: 5A 12V DC

P/N	Center Pin
27-750	∅2.1 mm
27-755	∅2.5 mm



RoHS

8	TERMINAL	PHOSPHOR COPPER, SILVER-PLATED
7	TERMINAL	BRASS, SILVER-PLATED
6	BASE	NYLON66, UL94-HB
5	PIN	BRASS, SILVER-PLATED
4	TERMINAL	PHOSPHOR COPPER, SILVER-PLATED
3	WASHER	65Mn, NICKEL-PLATED
2	NUT	BRASS NICKEL-PLATED
1	HOUSING	BRASS, NICKEL-PLATED

NO.	PART NAME	MATERIAL
8	TERMINAL	PHOSPHOR COPPER, SILVER-PLATED
7	TERMINAL	BRASS, SILVER-PLATED
6	BASE	NYLON66, UL94-HB
5	PIN	BRASS, SILVER-PLATED
4	TERMINAL	PHOSPHOR COPPER, SILVER-PLATED
3	WASHER	65Mn, NICKEL-PLATED
2	NUT	BRASS NICKEL-PLATED
1	HOUSING	BRASS, NICKEL-PLATED

DIMENSIONS ARE IN	TOLERANCES ARE	MATERIAL
mm [INCH]	FRACTIONS DECIMALS ANGLES	
MOLD NO.	± 0.20 [0.008]	FINISH
27-755		COLOR

DC POWER JACK

P/N	27-755	DRAWN	YANG	DATE	09/05/2003
PROJECT NO.					
SCALE	2/1	SIZE	A4	SHEET	1 OF 1
					QC001

X-ON Electronics

Largest Supplier of Electrical and Electronic Components

Click to view similar products for [MCM manufacturer](#):

Other Similar products are found below :

[NWTBATCAPMB13](#) [25-020](#) [27-505](#) [27-4155](#) [27-840](#) [28-0755](#) [28-5958](#) [50-10820](#) [37-330](#) [PI-UPTIMEUPS](#) [27-5918](#) [27-5977](#) [12-3410](#) [28-6023](#) [55-3230](#) [35SPS-3](#) [28-6008](#) [22-26180](#) [17705](#) [55-5675](#) [27-6020](#) [24-12352](#) [21-7655](#) [28-6017](#) [53-1230](#) [28-5965](#) [21-18966](#) [22-1640](#) [27-4200](#) [83-17607](#) [27-5833](#) [27-5925](#) [24-12344](#) [12-3404](#) [PCM-2100-50](#) [21-19004](#) [28-6080](#) [22-665](#) [24-1040](#) [27-5917](#) [28-6005](#) [55-5670](#)
[HD15MM35N-100F](#) [21-4605](#) [21-12825](#) [24-5360](#) [27-4270](#) [27-5940](#) [27-5949](#) [27-6112](#)