

CUSTOMER

MCM

FILE NO.

83-220

THIS DRAWING AND SPECIFICATIONS HEREIN ARE THE
CONFIDENTIAL PROPERTY OF SAMMAR AND SHALL NOT
BE REPRODUCED OR COPIED OR DISCLOSED IN WHOLE
OR IN PART WITHOUT WRITTEN PERMISSION.

REV.

0

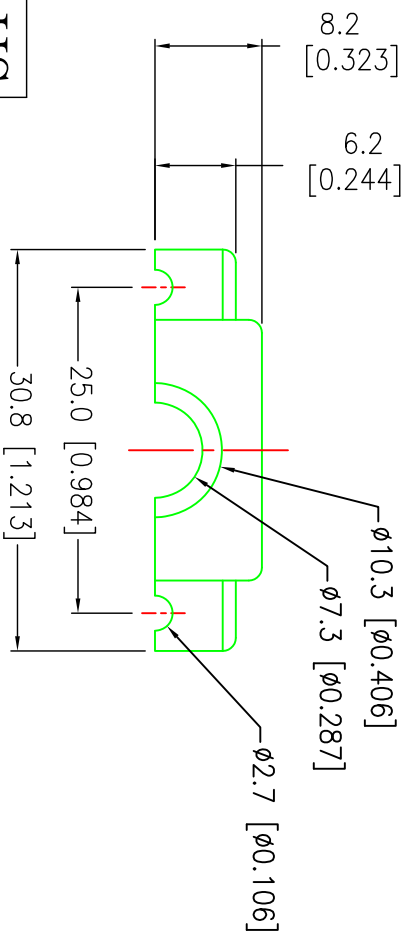
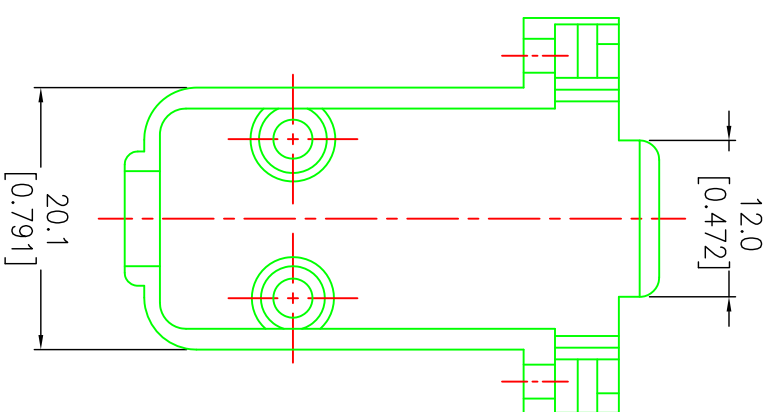
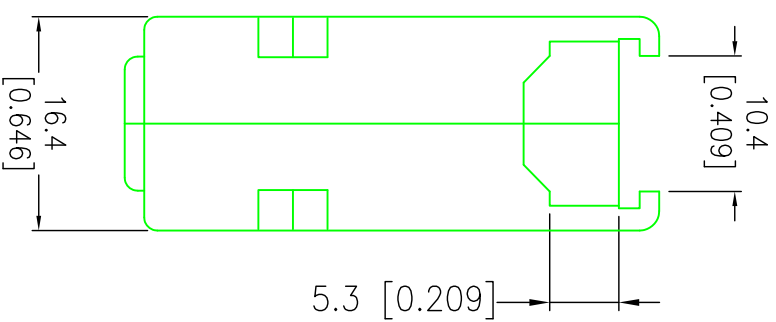
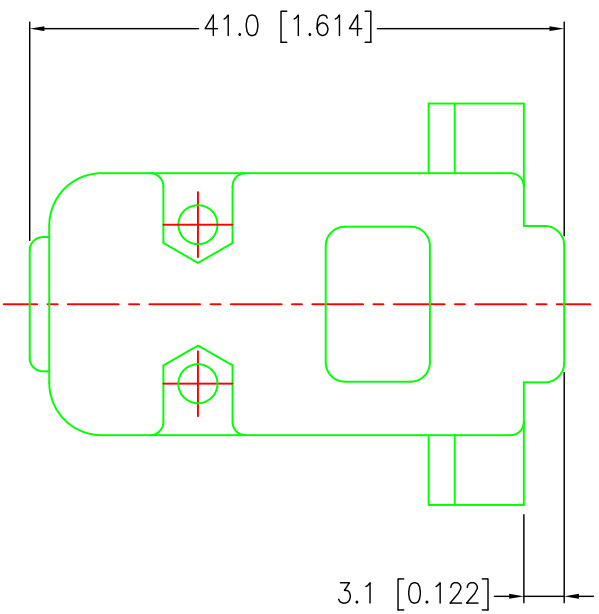
DESCRIPTION

INITIAL RELEASE

DRAWN / DATE

YANG 04/16/2008

APPROVED / DATE



ROHS

Material:

1. Plastic Cover: ABS, Chrome-Plated
2. Cable Clamp: Steel, Nickel-Plated
3. Saddle Washer: Steel, Nickel-Plated
4. Screws: Steel, Nickel-Plated
5. Nut: Steel, Nickel-Plated

DIMENSIONS ARE IN
mm [INCH]

TOLERANCES ARE
FRACTIONS DECIMALS ANGLES

MATERIAL

FINISH

COLOR

MOLD NO.

83-220

X ±0.2 [0.008]

.XX ±0.12 [0.005]

RS232 9P HOOD

P/N

PROJECT NO.

SCALE

SIZE

SHEET

1 OF 2

83-220

1.6:1

A4

1

2

DRAWN

YANG

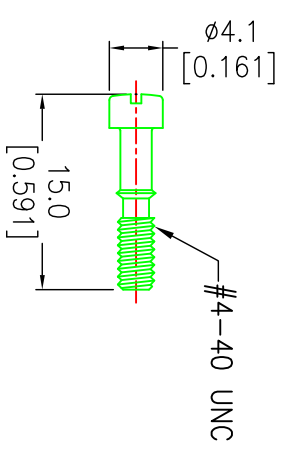
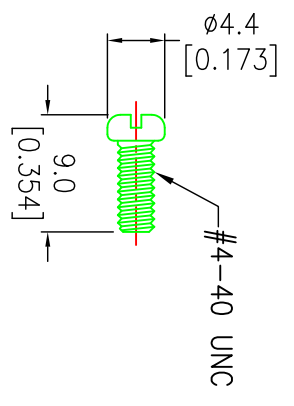
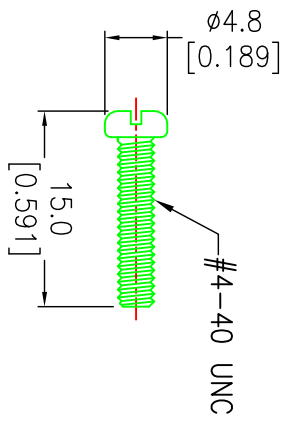
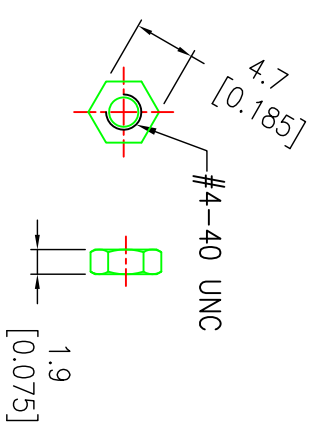
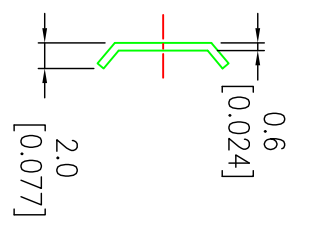
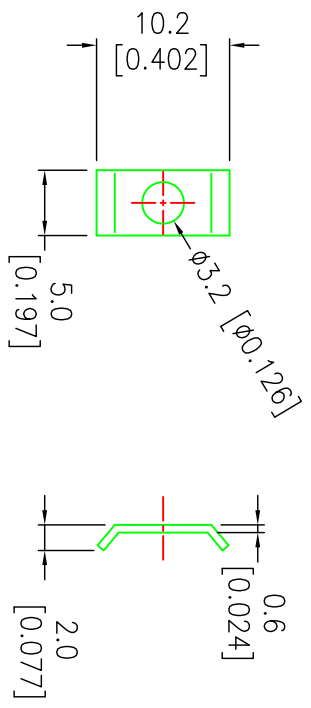
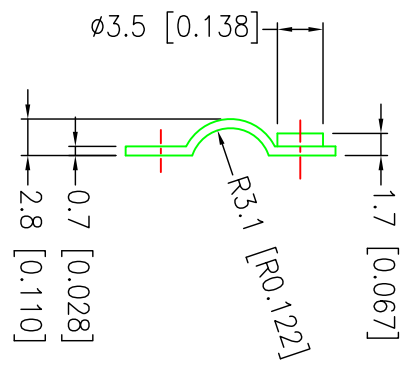
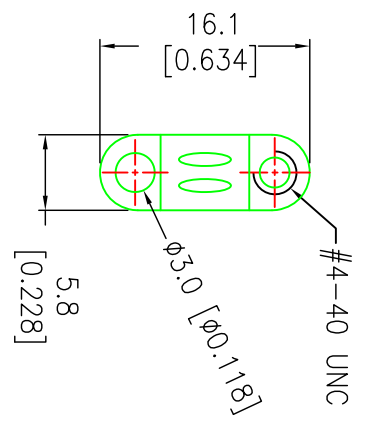
DATE

04/16/2008

MS020

THIS DRAWING AND SPECIFICATIONS HEREIN ARE THE CONFIDENTIAL PROPERTY OF SAMMAR AND SHALL NOT BE REPRODUCED OR COPIED OR DISCLOSED IN WHOLE OR IN PART WITHOUT WRITTEN PERMISSION.

| REV. | DESCRIPTION | DRAWN / DATE | APPROVED / DATE |
|------|-----------------|-----------------|-----------------|
| 0 | INITIAL RELEASE | YANG 04/16/2008 | |



ROHS

| | | | | | | | | | | | |
|-------------------|--|-------------------------------------|--|--------------|--|----------------------------------|--|-------|--|------------|--|
| DIMENSIONS ARE IN | | TOLERANCES ARE | | MATERIAL | | P/N | | DRAWN | | DATE | |
| mm [INCH] | | FRACTIONS DECIMALS ANGLES | | FINISH COLOR | | PROJECT NO. 83-220 | | YANG | | 04/16/2008 | |
| MOLD NO. 83-220 | | X ±0.2 [0.008] .XX ±0.12 [0.005] | | | | SCALE 1.6:1 SIZE A4 SHEET 2 OF 2 | | | | MS020 | |
| SAMMAR | | | | | | RS232 9P HOOD | | | | | |

X-ON Electronics

Largest Supplier of Electrical and Electronic Components

Click to view similar products for [MCM manufacturer](#):

Other Similar products are found below :

[NWTBATCAPMB13](#) [25-020](#) [27-505](#) [27-4155](#) [27-840](#) [28-0755](#) [28-5958](#) [50-10820](#) [37-330](#) [PI-UPTIMEUPS](#) [27-5918](#) [27-5977](#) [12-3410](#) [28-6023](#) [55-3230](#) [35SPS-3](#) [28-6008](#) [22-26180](#) [17705](#) [55-5675](#) [27-6020](#) [24-12352](#) [21-7655](#) [28-6017](#) [53-1230](#) [28-5965](#) [21-18966](#) [22-1640](#) [27-4200](#) [83-17607](#) [27-5833](#) [27-5925](#) [24-12344](#) [12-3404](#) [PCM-2100-50](#) [21-19004](#) [28-6080](#) [22-665](#) [24-1040](#) [27-5917](#) [28-6005](#) [55-5670](#)
[HD15MM35N-100F](#) [21-4605](#) [21-12825](#) [24-5360](#) [27-4270](#) [27-5940](#) [27-5949](#) [27-6112](#)