

# BOXER WH PTS

Polypropylene tool trolley



## General features

- chromed handle (mod. Euro Boxer excluded)
- central lock with key (mod. Euro Boxer excluded)
- 2 side closing
- document area
- metal lid support stay (mod. Euro Boxer excluded)

## Features

- 2 tool pallets with pouches
- bottom area with removable dividers
- telescopic handle
- wheels on ball bearings
- 2 small component boxes

## Versions

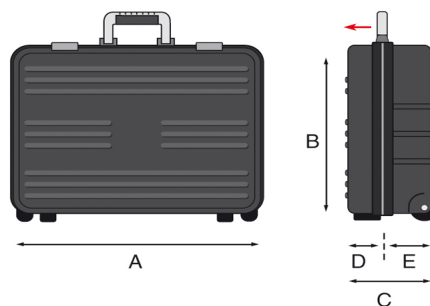
- BOXER PEL
- BOXER PTS
- BOXER EURO BOXER
- BOXER WH PEL
- BOXER WH PTS

## EAN

8024482175669



Technical features	A	B	C	D	E
mm internal dimensions	430	320	190	80	110
	Weight Kg 5,00				
inc internal dimensions	16 15/16	12 5/8	7 1/2	3 1/8	4 5/16
	Weight lbs 11.00				



## **BOXER WH PTS**

Polypropylene tool trolley



Polypropylene case realized with the injection molding technique. It has a modern design, with compact dimensions, high capacity and lightweight. The aluminium profile grants a further strength.

# Accessories

BOXER WH PTS



LOCK BELT



WL01



WL02



WL03



WL04



WL05

## **X-ON Electronics**

Largest Supplier of Electrical and Electronic Components

*Click to view similar products for [Gt Line manufacturer](#):*

Other Similar products are found below :

[REVO PEL](#) [3317.B](#) [3818.B](#) [TOP08 L](#) [3005.B](#) [1908.B](#) [5822.B](#) [NEW M. WHEELS PTS](#) [5221.B](#) [TOP10N](#) [TOP SMART N](#) [TOP BELT N](#)  
[TOP 04](#) [BOXER WH PEL](#) [BOXER WH PTS](#) [WL 01](#) [WL 02](#)