

CONTINUOUS HINGE WITH CLAMPS, EMC, TYPE 12



APPLICATION

This enclosure is used in indoor applications to contain stray electromagnetic interference (EMI) signals produced by internal components and to shield those components from external EMI/RFI interference.

SPECIFICATIONS

- 16 or 14 gauge steel
- Seams continuously welded and ground smooth
- Continuous hinge
- Bonding provision on door
- Combination woven steel mesh and oil-resistant gasket
- Stainless steel screw-down door clamps
- Weldnuts provided for mounting optional panels and terminal kits in size 6.00 x 4.00 in. (152 x 102mm) and larger
- Shielding effectiveness greater than 80 dB at 1 GHz

FINISH

Plated finish provides conductive surfaces for gasket contact areas and conduit entries.

ACCESSORIES

See also Accessories.

Industrial Corrosion Inhibitors

Fast-Operating Clamp-Cover Junction Box Clamp

Panels for Junction Boxes

Junction Box and Wall-Mount Enclosure Swing Out Panel Kit

Terminal Block Kit Assembly for Junction Boxes Overview

BULLETIN: A53

INDUSTRY STANDARDS

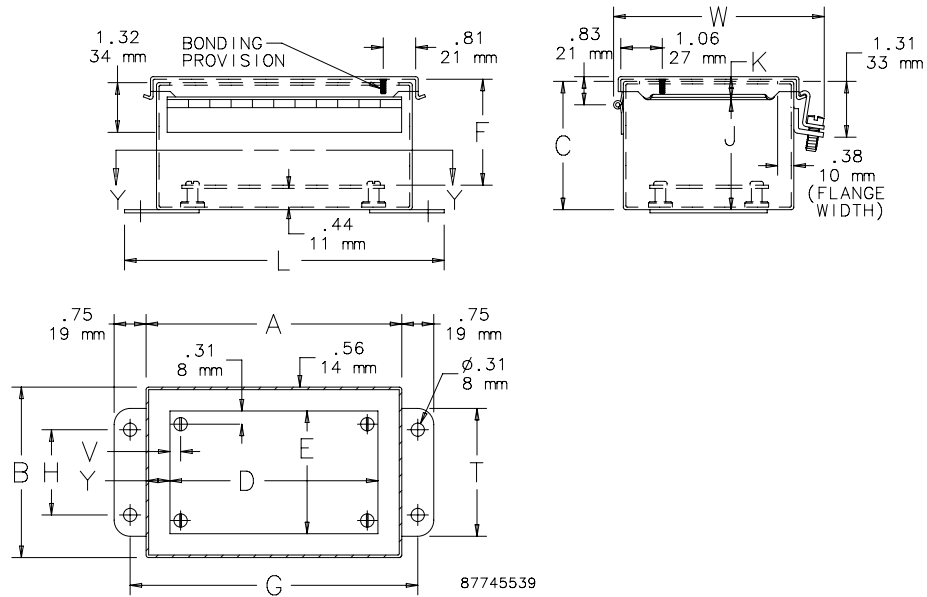
UL 50, 50E Listed; Type 12, 13; File No. E27567
 cUL Listed per CSA C22.2 No. 94; Type 12, 13; File No. E27567
 UL 508A Listed; Type 12, 13; File No. E61997
 cUL Listed per CSA C22.2 No. 94; Type 12,13; File No. E61997

NEMA/EEMAC Type 12, 13
 CSA, File No. 42184: Type 12, 13
 IEC 60529, IP54

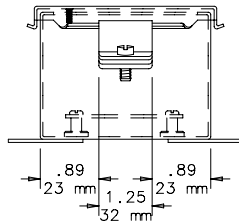
Standard Product

Catalog Number	AxBxC in./mm	Gauge	UL Listed	Panel	Conductive Panel	Panel Size D x E in./mm	Mounting G x H in./mm	Overall L x W in./mm	F in./mm	J in./mm	K in./mm	T in./mm	V in./mm	Y in./mm
A604CHEMC	6.00 x 4.00 x 3.00	16	508A	A6P4	A6P4G	4.88 x 2.88	6.75 x 2.00	7.50 x 4.81	2.53	2.62	0.54	3.00	0.31	0.56
	152 x 102 x 76					124 x 73	171 x 51	191 x 122	64	66	14	76	8	14
A806CHEMC	8.00 x 6.00 x 3.50	14	50, 50E	A8P6	A8P6G	6.75 x 4.88	8.75 x 4.00	9.51 x 6.81	3.03	3.12	0.56	5.00	0.25	0.62
	203 x 152 x 89					171 x 124	222 x 102	241 x 173	77	79	14	127	6	16
A606CHEMC	6.00 x 6.00 x 4.00	16	50, 50E	A6P6	A6P6G	4.88 x 4.88	6.75 x 4.00	7.50 x 6.81	3.53	3.62	0.54	5.00	0.31	0.56
	152 x 152 x 102					124 x 124	171 x 102	191 x 173	90	92	14	127	8	14
A1008CHEMC	10.00 x 8.00 x 4.00	14	50, 50E	A10P8	A10P8G	8.75 x 6.88	10.75 x 6.00	11.50 x 8.81	3.53	3.62	0.56	7.00	0.25	0.62
	254 x 203 x 102					222 x 175	273 x 152	292 x 224	90	92	14	178	6	16
A1210CHEMC	12.00 x 10.00 x 5.00	14	50, 50E	A12P10	A12P10G	10.75 x 8.88	12.75 x 8.00	13.50 x 10.81	4.53	4.62	0.56	9.00	0.25	0.62
	305 x 254 x 127					273 x 226	324 x 203	343 x 275	115	117	14	229	6	16
A1412CHEMC	14.00 x 12.00 x 6.00	14	50, 50E	A14P12	A14P12G	12.75 x 10.88	14.75 x 10.00	15.50 x 12.81	5.53	5.62	0.56	11.00	0.25	0.62
	356 x 305 x 152					324 x 276	375 x 254	394 x 325	140	143	14	279	6	16
A1614CHEMC	16.00 x 14.00 x 6.00	14	50, 50E	A16P14	A16P14G	14.75 x 12.88	16.75 x 12.00	17.50 x 14.81	5.53	5.62	0.56	13.00	0.25	0.62
	406 x 356 x 152					375 x 327	425 x 305	445 x 376	140	143	14	330	6	16

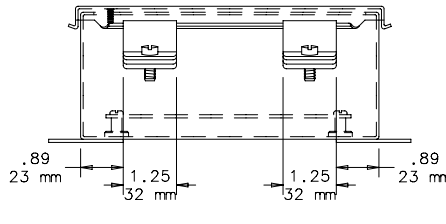
Purchase panels separately.



SECTION Y-Y

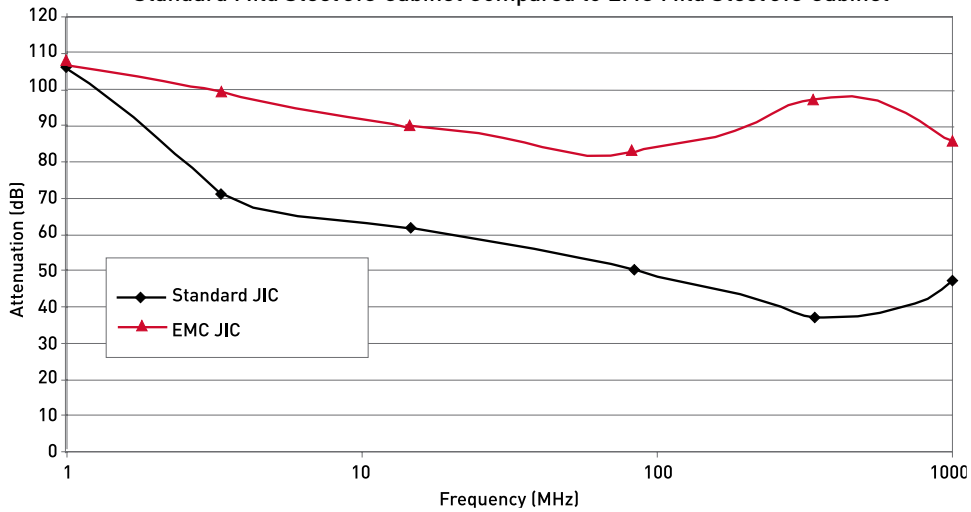


Clamp End of Box,
One Clamp Used



Clamp End of Box,
Two Clamps Used

Steel JIC Shielding Effectiveness
Standard Mild Steel JIC Cabinet Compared to EMC Mild Steel JIC Cabinet



X-ON Electronics

Largest Supplier of Electrical and Electronic Components

Click to view similar products for [Hoffman](#) manufacturer:

Other Similar products are found below :

[A-1412CHQR](#) [A-6P4G](#) [A-202408LP](#) [CSD20168SS](#) [CSD20206](#) [CSD20208SS](#) [CSD24168](#) [CSD36248](#) [CSD36308](#) [PCU7](#) [PDS76R](#)
[PRA197TP](#) [PT126](#) [A10086CH](#) [A1008CHNFSS](#) [A10106CH](#) [A10106CHFL](#) [A10106PHCW](#) [A1043DSC](#) [A1066JFGQRR](#) [A12106CHQRFG](#)
[A1212SC](#) [A1412CHNFSS](#) [A161208LP](#) [A161410CH](#) [A16148CHQRFG](#) [A16H12ALP](#) [A18P16AL](#) [A24H2408SSLP](#) [A24H24BLP](#)
[Q13138PCE](#) [A36P24](#) [Q3PBPCDM](#) [A404CH](#) [A606CHNF](#) [A606NF](#) [A806SC](#) [A845JFGR](#) [A864CHQRFGW](#) [A90P36F1](#) [HJ1412HWPL2LG](#)
[HJ1816HWPL2LG](#) [RHJ1210HWPL2LG](#) [AS125SS](#) [ASE10X10X4](#) [ASE12X12X4](#) [E1PBG](#) [E2PBG](#) [E3PB](#) [LED24V15](#)