

TOUCH-SAFE HEATERS

INDUSTRY STANDARDS

| |
|----------------------------------------------|
| cURus Component Recognized; File No. E150057 |
|----------------------------------------------|

IP 20
CE

APPLICATION

Protect electrical, mechanical equipment from low temperatures, condensation, and corrosion with this heater, which will maintain stable enclosure temperatures by using natural convection resulting in current circulation of warm air.

SPECIFICATIONS

- Heating element PTC resistor - temperature limiting
- Double Insulated Protection
- Mounting clip for 35mm DIN rail, EN 60 715
- Vertical mount

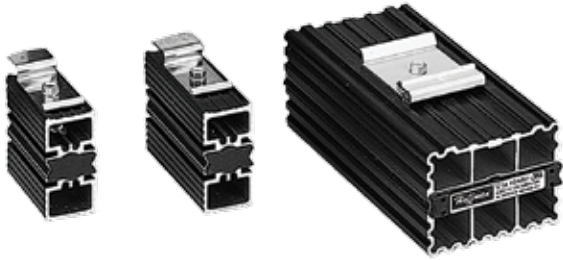
FINISH

- UL 94 V-0 Black Plastic Housing

Performance Data

| CATALOG NUMBERS | DAH101TS | DAH201TS | DAH501TS |
|------------------------------|------------------------------|------------------------------|-------------------------------|
| Electrical Data | | | |
| Rated Voltage (AC/DC) | 110/120 | 110/120 | 110/120 |
| Power Consumption (Watts) | 10 | 20 | 50 |
| Start Nominal Current (Amps) | 2.5 | 4.5 | 8 |
| Unit Construction | | | |
| H x W x D (in./mm) | 3.9 X 1.5 X 3.0/98 x 38 x 75 | 3.9 X 1.5 X 3.0/98 x 38 x 75 | 4.3 X 2.4 X 3.5/110 x 60 x 90 |
| Weight (oz) | 5.0 | 6.1 | 10.4 |

SEMICONDUCTOR HEATERS



INDUSTRY STANDARDS

cURus Component Recognized; File No. E150057

IEC IP54
CE

APPLICATION

Protect electrical, pneumatic, hydraulic and mechanical equipment from low temperatures, condensation and corrosion with this heater, which maintains a stable enclosure temperature.

SPECIFICATIONS

- PTC (Positive Temperature Coefficient) heating element
- Mounting clip for 35-mm DIN rails EN 50022

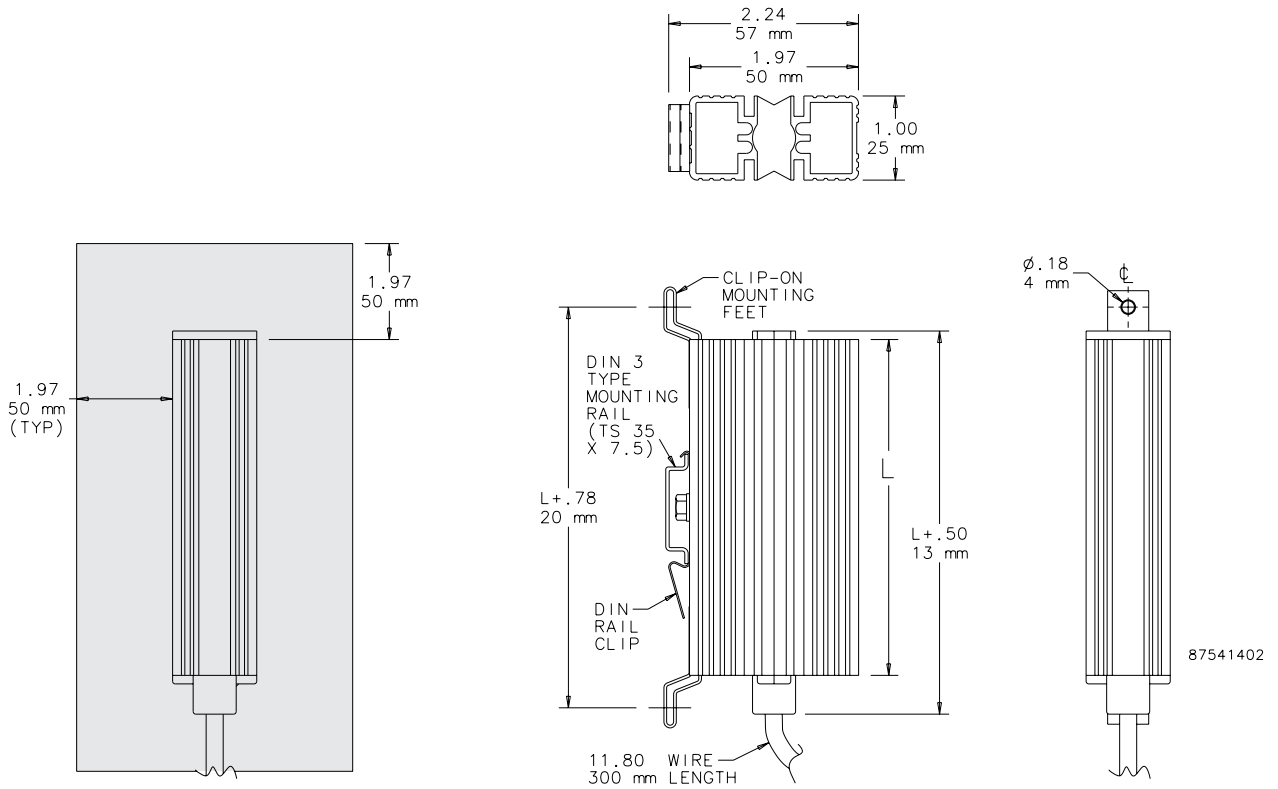
FINISH

- Black anodized, extruded aluminum.

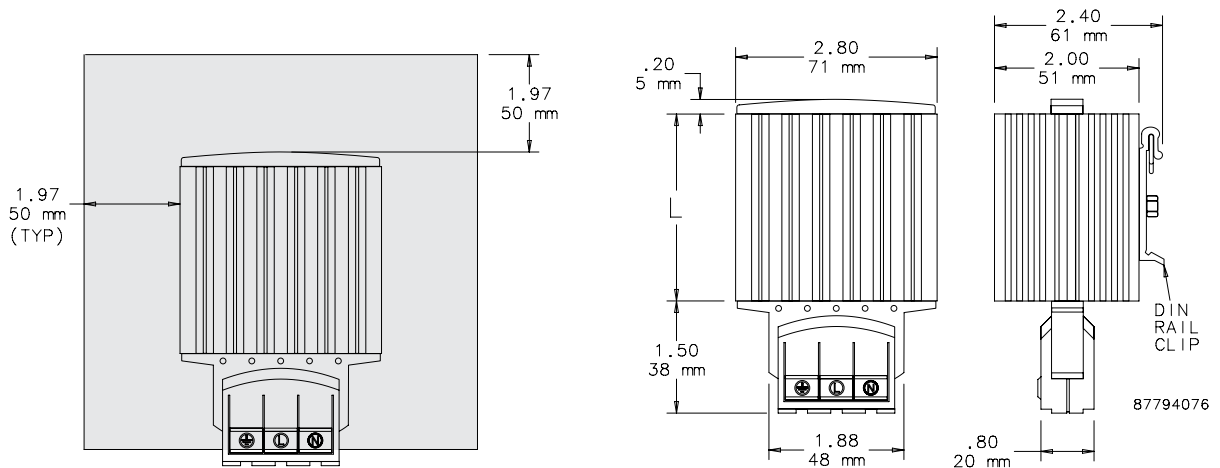
Performance Data **Semiconductor Heater**

| CATALOG NUMBERS | | | |
|------------------------------|----------------------|----------------------|----------------------|
| | DAH101 | DAH301 | DAH601 |
| ELECTRICAL DATA | | | |
| Rated Voltage | AC/DC 110/120 | AC/DC 110/120 | AC/DC 110/250 |
| Power Consumption (Watts) | 10 | 30 | 60 |
| Start Nominal Current (Amps) | 0.8 | 1.2 | 2.5 |
| HEATING PERFORMANCE | | | |
| Watts | 10 | 30 | 60 |
| UNIT CONSTRUCTION | | | |
| L (in./mm) | 1.97/50 | 3.93/100 | 5.5/140 |
| Weight (lb./kg) | 0.45/0.20 | 0.66/0.30 | 1.10/0.50 |

Clearance Range for DAH101 and DAH301



Clearance Range for DAH601



ELECTRIC HEATERS

115/230 Volt
100/200 Watt



115/230 Volt
400/800 Watt



115/230 Volt
1300 Watt

INDUSTRY STANDARDS

UL 508A Component Recognized; File No. E61997

CSA Certified, CSA File No. LR42186
CE

APPLICATION

Protect mechanical, electrical and electronic equipment from low temperatures, condensation and corrosion with this thermostatically controlled, fan-driven heater that maintains a stable enclosure temperature.

Fan draws cool air from the bottom of the enclosure and passes this air across the thermostat and heating element before being released into enclosure cavity. Heated air is discharged through the top of the heater unit.

SPECIFICATIONS

- Aluminum housing
- Thermostat range adjustable from 0 F to 100 F (-18 C to 38 C)
- Four 10-32 x self-tapping screws are included with each heater
- Ball bearing fan
- Terminal strip with clamp connector that accepts both solid and stranded wire

FINISH

- Brushed aluminum


CAUTION

These electric heaters are not designed for use in dusty, dirty, corrosive, or hazardous locations. Portions of the heater can get hot. Adequate protection must be taken to protect people from potential burns, and to protect other components from this heat. Pentair Technical Products recommends this heater only be installed in a totally-enclosed metal enclosure.

DO NOT INSTALL HEATERS ON WOOD PANELS.
Heat sensitive components should not be placed near the heater discharge area since this air can be quite warm. The clearance range defines the space that must be kept free of these components for proper and safe operation of the heater.

Performance Data **100 and 200 Watt Heaters**

| CATALOG NUMBERS | | | | |
|----------------------------|------------|------------|------------|------------|
| | DAH1001A | DAH1002A | DAH2001A | DAH2002A |
| ELECTRICAL DATA | | | | |
| Rated Voltage | 115 | 230 | 115 | 230 |
| Frequency (Hz) | 50/60 | 50/60 | 50/60 | 50/60 |
| Power Consumption (Watts) | 100 | 100 | 200 | 200 |
| Nominal Current (Amps) | 0.98 | 0.49 | 1.89 | 0.95 |
| HEATING PERFORMANCE | | | | |
| Watts | 100 | 100 | 200 | 200 |
| UNIT CONSTRUCTION | | | | |
| Weight (lb./kg) | 1.6/0.73 | 1.6/0.73 | 1.6/0.73 | 1.6/0.73 |
| X (in./mm) | 4.00/102 | 4.00/102 | 6.00/152 | 6.00/152 |

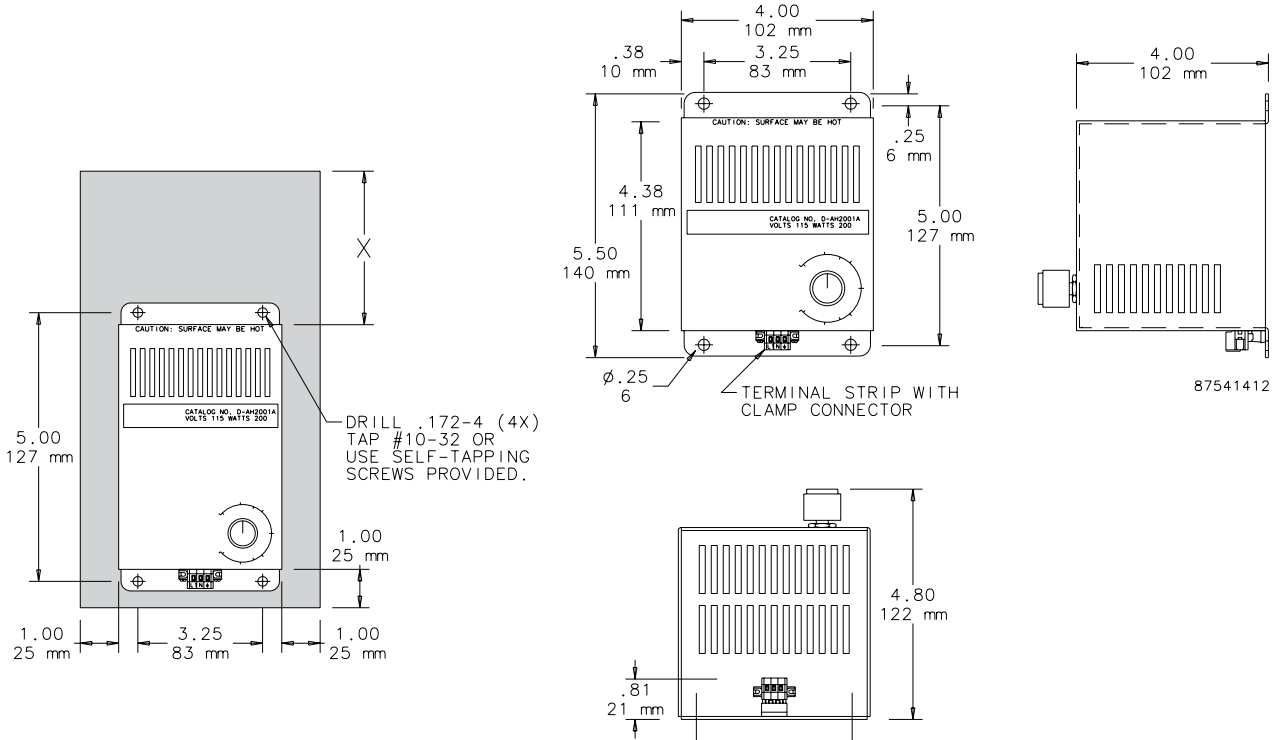
 Performance Data **400 and 800 Watt Heaters**

| CATALOG NUMBERS | | | | |
|----------------------------|------------|------------|------------|------------|
| | DAH4001B | DAH4002B | DAH8001B | DAH8002B |
| ELECTRICAL DATA | | | | |
| Rated Voltage | 115 | 230 | 115 | 230 |
| Frequency (Hz) | 50/60 | 50/60 | 50/60 | 50/60 |
| Power Consumption (Watts) | 400 | 400 | 800 | 800 |
| Nominal Current (Amps) | 3.72 | 1.86 | 7.37 | 3.69 |
| HEATING PERFORMANCE | | | | |
| Watts | 400 | 400 | 800 | 800 |
| UNIT CONSTRUCTION | | | | |
| Weight (lb./kg) | 2.2/1.00 | 2.2/1.00 | 2.2/1.00 | 2.2/1.00 |
| X (in./mm) | 6.00/152 | 6.00/152 | 8.00/203 | 8.00/203 |

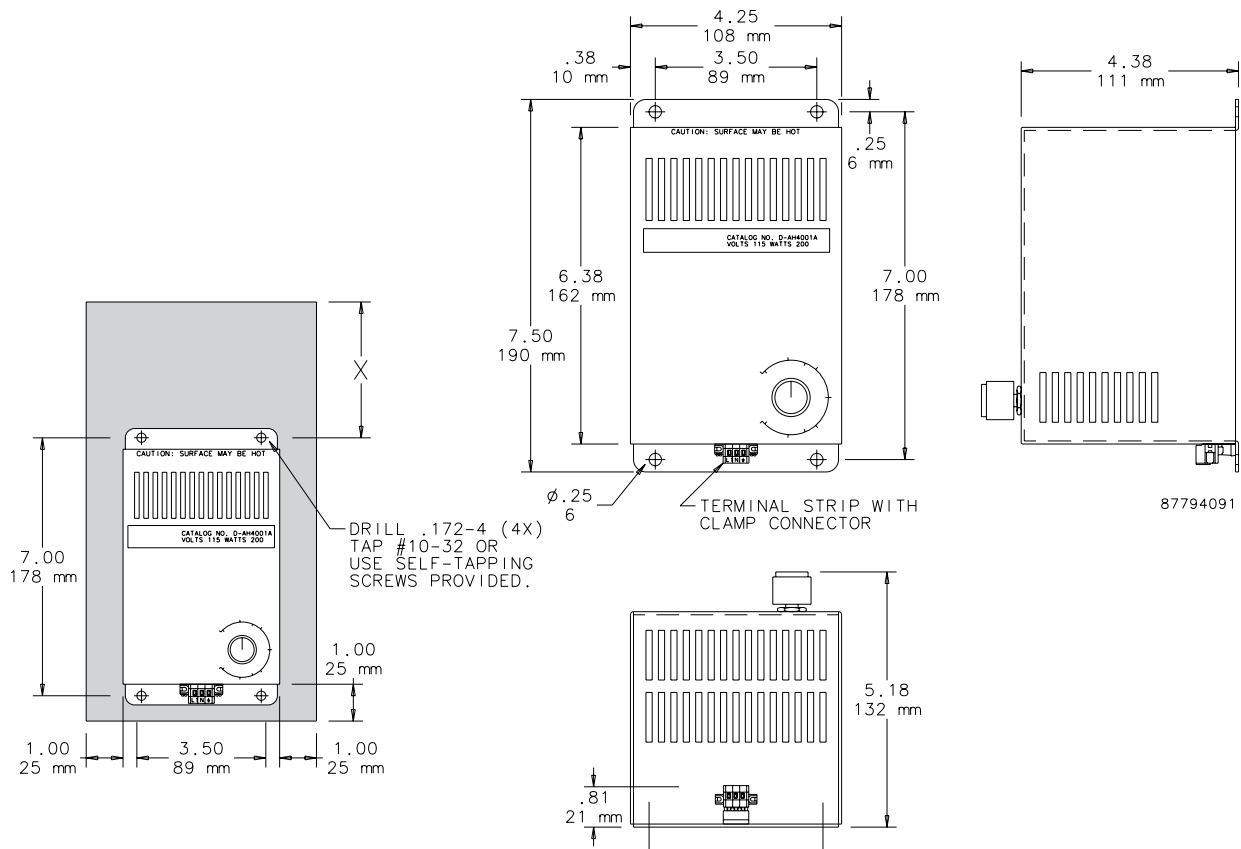
 Performance Data **1300 Watt Heaters**

| CATALOG NUMBERS | | |
|----------------------------|-------------|-------------|
| | DAH13001C | DAH13002C |
| ELECTRICAL DATA | | |
| Rated Voltage | 115 | 230 |
| Frequency (Hz) | 50/60 | 50/60 |
| Power Consumption (Watts) | 1300 | 1300 |
| Nominal Current (Amps) | 11.5 | 5.7 |
| HEATING PERFORMANCE | | |
| Watts | 1300 | 1300 |
| UNIT CONSTRUCTION | | |
| Weight (lb./kg) | 3.4/1.54 | 3.4/1.54 |
| X (in./mm) | 8.00/203 | 8.00/203 |

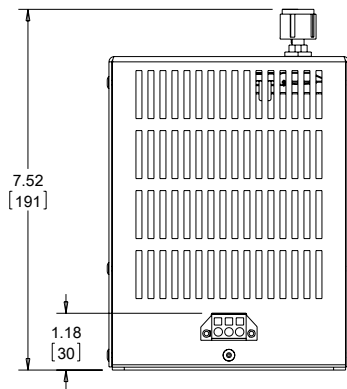
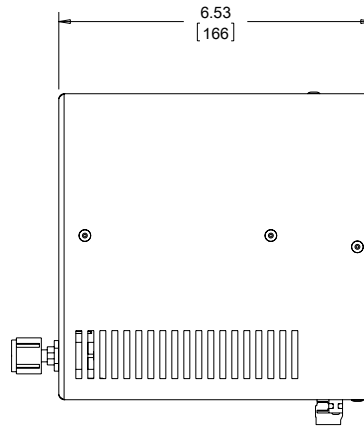
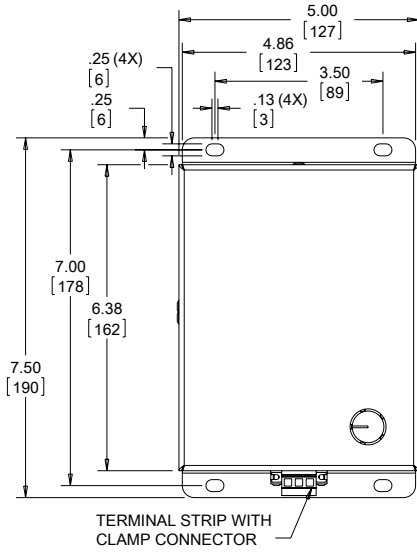
Dimensions and Clearance Range Drawing for DAH1001A, -2A and DAH2001A, -2A



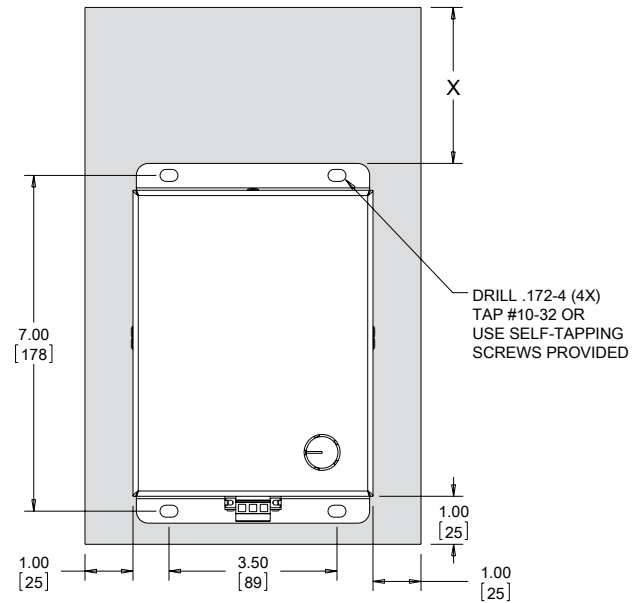
Dimensions and Clearance Range Drawing for DAH4001B, -2B and DAH8001B, -2B



Dimensions and Clearance Range Drawing for DAH13001C and DAH13002C



89091692



HAZARDOUS LOCATION HEATER, ATEX



INDUSTRY STANDARDS

CE
 Conformity Certificate LCIE (Laboratoire Central des Industries
 Electriques) LCIE 01 ATEX 6073
 EEx d IIC T4/II 2 GD, IP6x T135°C
 IEC 60529, IP65/1 (grounded)

APPLICATION

Designed for use in hazardous locations where electrical
 components require protection from condensation and corrosion,
 sudden temperature drops and low temperatures.

FEATURES

- Maintenance-free
- High-performance heating cartridge (element)
- Large convection surface
- Extruded aluminum heat sink
- DIN clip for mounting
- Connection cable: Si HF-JZ 3 x AWG 18 x 3.3 ft. (0.75 mm² x 1 m)
- Operating voltage 110-120 VAC

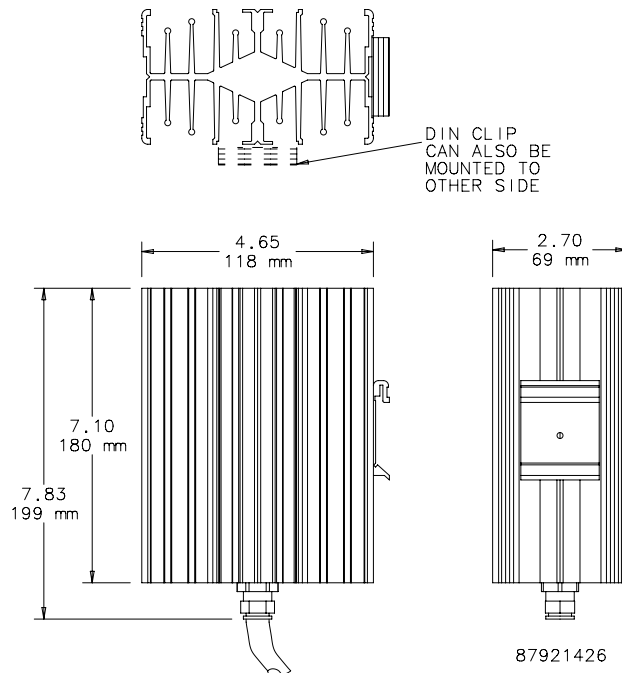
FINISH

- Black anodized

Performance Data **Hazardous Location Heater**

| CATALOG NUMBERS | |
|----------------------------------------|-------------------------------|
| | HLHEAT100 |
| DESIGN DATA | |
| Heating Power (Watts) | 100 |
| Surface Temperature T4 (°F/°C) * | 275/135 |
| UNIT CONSTRUCTION | |
| Unit Dimensions - H x W x D (in. / mm) | 7.10/180 x 4.65/118 x 2.70/69 |

* Surface temperature when mounted vertically.



HAZARDOUS LOCATION HEATERS



INDUSTRY STANDARDS

CE
 ATEX, IECEx
 II2G Ex d IIC T3 / II2 D Ex Td A21 IP65 T200 C
 NEC CSA us
 Class I, Div 1 Groups A, B, C, D / Class II Div 1 Groups E, F, G

APPLICATION

Designed for use in hazardous locations where electrical components require protection from cold freezing temperatures, condensation and corrosion.

SPECIFICATIONS

- 50W, 80W, 200W, 300W, 400W and 600W models available
- Provides freeze protection down to -76 F / -60 C
- Conductive and Convection heating types available
- 50W and 80W models can be mounted directly to manifolds, measuring or analyzing instruments, control valves, and similar equipment
- 200W, 300W, 400W, 600W models are finned heaters that heat the area by transferring the heat from the heater to surrounding air, creating a convection current.
- Two thermostat options available with a 50 F / 10 C or 68 F / 20 C set point

FINISH

- Black Anodized Aluminum

Performance Data 50W and 80W Hazardous Location Heaters

| CATALOG NUMBERS | | |
|-----------------------------------------|------------------------------------------------------------------|---------------|
| | DAHHL501AC | DAHHL801AC |
| HEATING PERFORMANCE | | |
| Watts | 50 | 80 |
| Heating Type | Conductive | Conductive |
| Power Regulation | Self Limiting | Self Limiting |
| HAZARDOUS LOCATION CERTIFICATION | | |
| Temperature Classification (T Code) | T4 | T3 |
| Agency Approvals | ATEX, IECEx, CSA us | |
| ATEX / IECEx Certification | II2G Ex d IIC T3 / II2 D Ex Td A21 IP65 T200 C | |
| NEC CSA us Certification | Class I, Div 1 Groups A, B, C, D / Class II Div 1 Groups E, F, G | |
| ELECTRICAL DATA | | |
| Rated Voltage (VAC or VDC) | 110 - 265 | 110 - 265 |
| Operating Range | | |
| Maximum (F/C) | 302/150 | 302/150 |
| Minimum (F/C) | -76/-60 | -76/-60 |
| UNIT CONSTRUCTION | | |
| Material | Black anodized sea water proof aluminium | |
| ACCESSORIES | | |
| Thermostat* | HLTSTAT10C, HLTSTAT20C | |
| UNIT DIMENSIONS | | |
| Height (in./mm) | 3.5/190 | 3.5/190 |
| Width (in./mm) | 1.6/40 | 1.6/40 |
| Depth (in./mm) | 1.2/30 | 1.2/30 |
| Weight (lb./kg) | 1.1/50 | 1.1/50 |

Thermostats sold separately as an accessory.

Performance Data **200W, 300W, 400W, 600W Hazardous Location Heaters**

| CATALOG NUMBERS | | | | | | |
|-----------------------------------------|------------------------------------------------------------------|---------------|----------------|----------------|----------------|----------------|
| | DAHHL200AC | DAHHL300AC | DAHHL4001A | DAHHL4002A | DAHHL6001A | DAHHL6002A |
| HEATING PERFORMANCE | | | | | | |
| Watts | 200 | 300 | 400 | 400 | 600 | 600 |
| Heating Type | Convection | Convection | Convection | Convection | Convection | Convection |
| Power Regulation | Self Limiting | Self Limiting | Constant Power | Constant Power | Constant Power | Constant Power |
| HAZARDOUS LOCATION CERTIFICATION | | | | | | |
| Temperature Classification (T Code) | T3 | T3 | T3 | T3 | T3 | T3 |
| Agency Approvals | ATEX, IECEx, CSA us | | | | | |
| ATEX / IECEx Certification | II2G Ex d IIC T3 / II2 D Ex Td A21 IP65 T200 C | | | | | |
| NEC CSA us Certification | Class I, Div 1 Groups A, B, C, D / Class II Div 1 Groups E, F, G | | | | | |
| ELECTRICAL DATA | | | | | | |
| Rated Voltage (VAC or VDC) | 110 - 265 | 110 - 265 | 108 - 132 | 207 -253 | 108 - 132 | 207 -253 |
| Operating Range | | | | | | |
| Maximum [F/C] | 302/150 | 302/150 | 302/150 | 302/150 | 302/150 | 302/150 |
| Minimum [F/C] | -76/-60 | -76/-60 | -76/-60 | -76/-60 | -76/-60 | -76/-60 |
| UNIT CONSTRUCTION | | | | | | |
| Material | Black anodized sea water proof aluminium | | | | | |
| ACCESSORIES | | | | | | |
| Thermostat* | HLTSTAT10C, HLTSTAT20C | | | | | |
| UNIT DIMENSIONS | | | | | | |
| Height (in./mm) | 8.9/225 | 12.8/325 | 8.9/225 | 8.9/225 | 12.8/325 | 12.8/325 |
| Width (in./mm) | 9.0/229 | 9.0/229 | 9.0/229 | 9.0/229 | 9.0/229 | 9.0/229 |
| Depth (in./mm) | 2.4/60 | 2.4/60 | 2.4/60 | 2.4/60 | 2.4/60 | 2.4/60 |
| Weight (lb./kg) | 8.7/3.95 | 12.5/5.65 | 8.7/3.95 | 8.7/3.95 | 12.5/5.65 | 12.5/5.65 |

* A thermostat is required for 400W and 600W models. It is sold separately as an accessory.

X-ON Electronics

Largest Supplier of Electrical and Electronic Components

Click to view similar products for [Hoffman](#) manufacturer:

Other Similar products are found below :

[A-1412CHQR](#) [A-6P4G](#) [A-202408LP](#) [CSD20168SS](#) [CSD20206](#) [CSD20208SS](#) [CSD24168](#) [CSD36248](#) [CSD36308](#) [PCU7](#) [PDS76R](#)
[PRA197TP](#) [PT126](#) [A10086CH](#) [A1008CHNFSS](#) [A10106CH](#) [A10106CHFL](#) [A10106PHCW](#) [A1043DSC](#) [A1066JFGQRR](#) [A12106CHQRFG](#)
[A1212SC](#) [A1412CHNFSS](#) [A161208LP](#) [A161410CH](#) [A16148CHQRFG](#) [A16H12ALP](#) [A18P16AL](#) [A24H2408SSLP](#) [A24H24BLP](#)
[Q13138PCE](#) [A36P24](#) [Q3PBPCDM](#) [A404CH](#) [A606CHNF](#) [A606NF](#) [A806SC](#) [A845JFGR](#) [A864CHQRFGW](#) [A90P36F1](#) [HJ1412HWPL2LG](#)
[HJ1816HWPL2LG](#) [RHJ1210HWPL2LG](#) [AS125SS](#) [ASE10X10X4](#) [ASE12X12X4](#) [E1PBG](#) [E2PBG](#) [E3PB](#) [LED24V15](#)