



Main

| | |
|-----------------------------|---|
| Range of product | Harmony XAC |
| Product or component type | Pendant control station |
| Control station name | XACA |
| Control station type | Double insulated |
| Enclosure material | Polypropylene |
| Electrical circuit type | Control circuit |
| Enclosure type | Complete ready for use |
| Control station application | Control of single speed hoist motor |
| Control station composition | 8 pushbuttons |
| Control button type | Third pushbutton 1 NO right, slow Sixth pushbutton 1 NO reverse, slow Seventh pushbutton 1 NO I Second pushbutton 1 NO lower, slow Fourth pushbutton 1 NO left, slow First pushbutton 1 NO raise, slow Fifth pushbutton 1 NO forward slow Eighth pushbutton 1 NC O |
| Contact block name | ZB2BE102 for eighth direction ZB2BE101 for each direction (except eighth) |
| Mechanical interlocking | With mechanical interlocking between pairs |

Complementary

| | |
|---|---|
| Control station colour | Yellow |
| Connections - terminals | Screw clamp terminals, connection capacity: 1 x 0.5...2 x 1.5 mm ² with cable end Screw clamp terminals, connection capacity: 1 x 0.5...1 x 2.5 mm ² without cable end |
| Mechanical durability | 1000000 cycles |
| Cable entry | Rubber sleeve with stepped entry, cable outer diameter: 8...26 mm |
| Contact code designation | Q600 DC-13, U _e = 600 V, I _e = 0.1 A conforming to IEC 60947-5-1 appendix A Q600 DC-13, U _e = 250 V, I _e = 0.27 A conforming to IEC 60947-5-1 appendix A A600 AC-15, U _e = 600 V, I _e = 1.2 A conforming to IEC 60947-5-1 appendix A A600 AC-15, U _e = 240 V, I _e = 3 A conforming to IEC 60947-5-1 appendix A |
| [I _{th} e] conventional enclosed thermal current | 10 A |
| [U _i] rated insulation voltage | 600 V (degree of pollution: 3) |
| [U _{imp}] rated impulse withstand voltage | 6 kV conforming to IEC 60947-1 |
| Contacts operation | Slow-break |
| Resistance across terminals | <= 25 MOhm |
| Operating force | 8 N for eighth pushbutton 10 N for pushbutton |
| Short circuit protection | 10 A fuse protection by cartridge fuse type gG |
| Rated operational power in W | 65 W DC-13 for 1000000 cycles, operating rate = 60 cyc/mn at 24 V, load factor = 0.5 (inductive load) conforming to IEC 60947-5-1 appendix C 48 W DC-13 for 1000000 cycles, operating rate = 60 cyc/mn at 48 V, load factor = 0.5 (inductive load) conforming to IEC 60947-5-1 appendix C 40 W DC-13 for 1000000 cycles, operating rate = 60 cyc/mn at 120 V, load factor = 0.5 (inductive load) conforming to IEC 60947-5-1 appendix C |
| Terminals description ISO n°1 | (13-14)NO |
| Terminals description ISO n°2 | (11-12)NC |
| Terminal identifier | (11-12)NC (13-14)NO |
| Product weight | 0.94 kg |

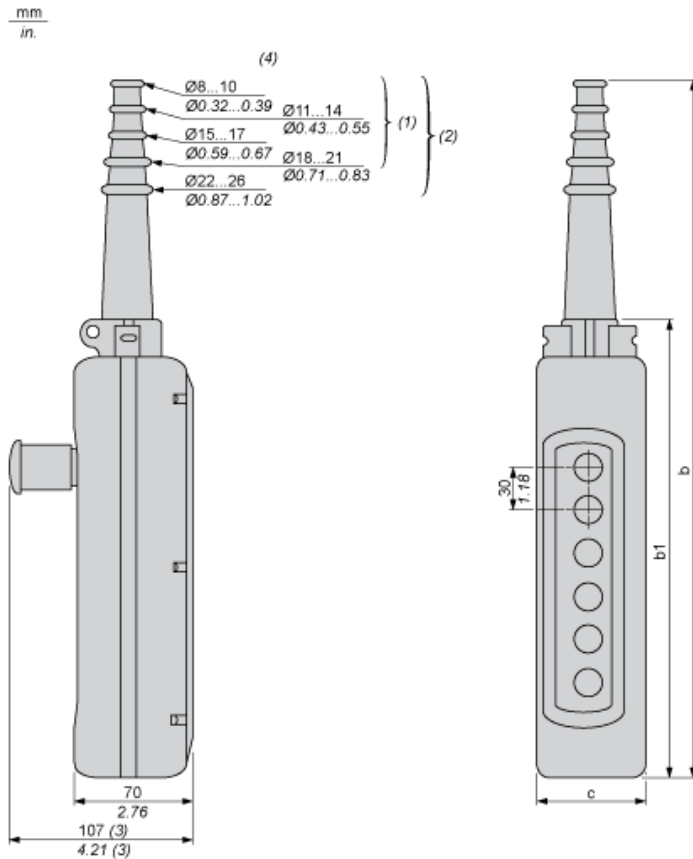
The information provided in this documentation contains general descriptions and/or technical characteristics of the performance of the products contained herein. This documentation is not intended as a substitute for and is not to be used for determining suitability or reliability of these products for specific user applications. It is the duty of any such user or integrator to perform the appropriate and complete risk analysis, evaluation and testing of the products with respect to the relevant specific application or use thereof. Neither Schneider Electric Industries SAS nor any of its affiliates or subsidiaries shall be responsible or liable for misuse of the information contained herein.

Environment

| | |
|--|--|
| Standards | EN/IEC 60204-32 EN/IEC 60947-5-1 UL 508 CSA C22.2 No 14 |
| Product certifications | CCC GOST |
| Protective treatment | TH |
| Ambient air temperature for operation | -25...70 °C |
| Ambient air temperature for storage | -40...70 °C |
| Vibration resistance | 15 gn (f = 10...500 Hz) conforming to IEC 60068-2-6 |
| Shock resistance | 100 gn conforming to IEC 60068-2-27 |
| Class of protection against electric shock | Class II conforming to IEC 61140 |
| IP degree of protection | IP65 conforming to IEC 60529 |
| IK degree of protection | IK08 conforming to EN 50102 |

Dimensions

Below drawing shows a product with 6 cut-outs. Select the number of cut-outs according to the product characteristics in order to get b, b1 and c dimensions.



- (1) For 2 and 3-way XAC A stations.
- (2) For 4 to 8-way XAC A stations.
- (3) With trigger action Emergency stop head operator
- (4) Internal \varnothing

Dimensions in mm

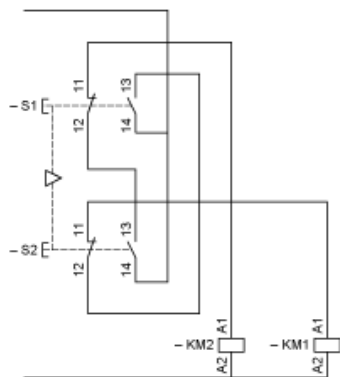
| Number of cut-outs | 2 | 3 | 4 | 5 | 6 | 8 | 12 |
|--------------------|-----|-----|-----|-----|-----|-----|-----|
| b | 314 | 314 | 440 | 440 | 500 | 560 | 680 |
| b1 | 190 | 190 | 250 | 250 | 310 | 370 | 490 |
| c | 80 | 80 | 80 | 80 | 80 | 80 | 92 |

Dimensions in in.

| Number of cut-outs | 2 | 3 | 4 | 5 | 6 | 8 | 12 |
|--------------------|-------|-------|-------|-------|-------|-------|-------|
| b | 12.36 | 12.36 | 17.32 | 17.32 | 19.68 | 22.05 | 26.77 |
| b1 | 7.48 | 7.48 | 9.84 | 9.84 | 12.20 | 14.57 | 19.29 |
| c | 3.15 | 3.15 | 3.15 | 3.15 | 3.15 | 3.15 | 3.62 |

Control of Single-Speed Reversing Motor

With ZBE2BE101 + ZB2BE102 contacts blocks, to be ordered separately

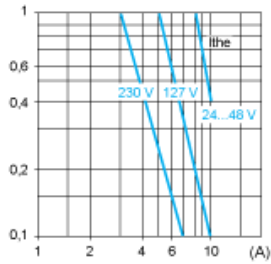


Rated Operational Power

AC Supply 50/60 Hz Inductive Circuit

Operating rate: 3600 operating cycles/hour. Load factor: 0.5.

Millions of operating cycles, AC-15 utilization category



I_{the} Thermal current
(A) Current

DC Supply

Operating rate: 3600 operating cycles/hour. Load factor: 0.5.

Power broken in W for 1 million operating cycles, DC-13 utilization category

| Voltage | V | 24 | 48 | 120 |
|-------------------|---|----|----|-----|
| Inductive circuit | W | 65 | 48 | 40 |

X-ON Electronics

Largest Supplier of Electrical and Electronic Components

Click to view similar products for [Control Switches](#) category:

Click to view products by [Schneider](#) manufacturer:

Other Similar products are found below :

[80887-99](#) [80932-99](#) [86855-00](#) [88814-30](#) [89721-12](#) [89804-08](#) [EX0011-1](#) [SSN](#) [RL01801](#) [50051857-17](#) [50099156-001-05](#) [51.155R-15200](#)
[50058920-26](#) [KMK-PA](#) [RAL9005](#) [M16](#) [ACCU-SC/L-3000](#) [PORTAPRO](#) [CFPS-73-48M](#) [WEL.PT-O6](#) [WEL.PT-L8](#) [WEL.PT-K7](#) [WEL.PT-](#)
[H7](#) [WEL.PT-E9](#) [WEL.PT-D7](#) [WEL.PT-B7](#) [WEL.PT-AA9](#) [WEL.PT-AA8](#) [WEL.PT-A8](#) [WEL.LT-F](#) [WEL.LT-4](#) [WEL.LT-1LX](#) [WEL.LT-1L](#)
[WEL.ET-BB](#) [WEL.CT5B7](#) [WEL.51361699](#) [RGFRA1903041A1T](#) [PLC-60/75](#) [PLC-30/40](#) [PLC-24/30](#) [PLC-40/55](#) [LOC-MIKSER2](#) [8522808](#)
[CC-100N](#) [V8Y-11Z-Y](#) [V8Y-11Z-R](#) [V8Y-11Z-O](#) [V8Y-11Z-24R](#) [V8Y-11Z-24O](#) [V8Y-11Z-230B](#) [V8Y-11-230W](#) [V8Y-11-230O](#)