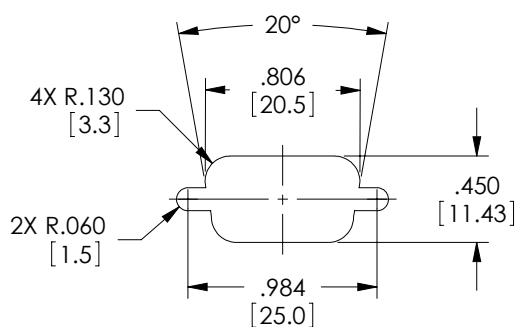
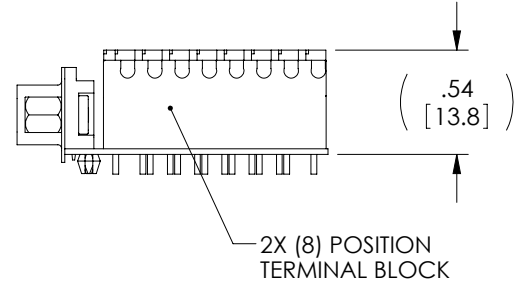
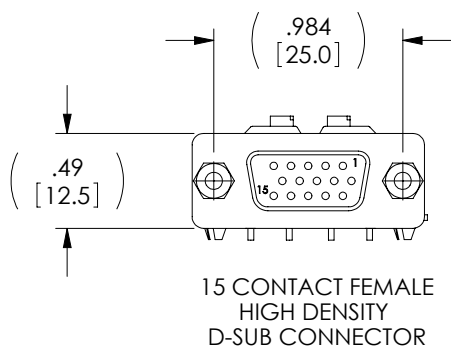
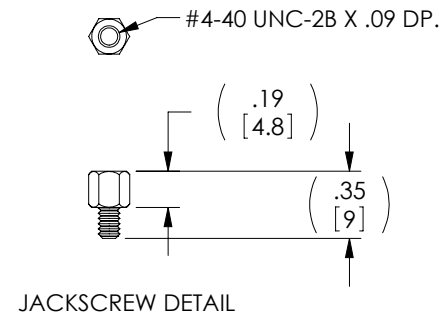
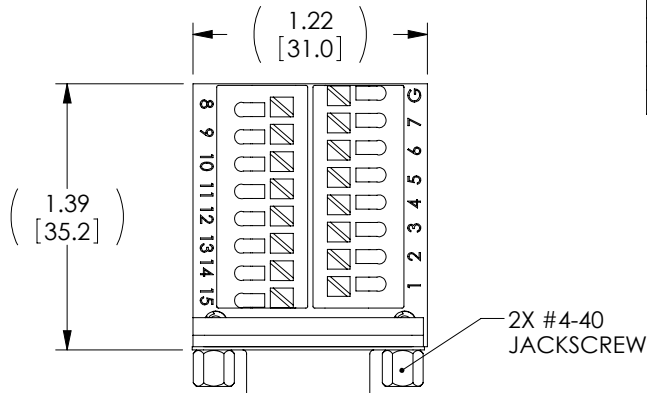


THE INFORMATION CONTAINED IN THIS DRAWING IS THE SOLE PROPERTY OF L-COM, INC. ANY REPRODUCTION IN PART OR WHOLE WITHOUT THE WRITTEN PERMISSION OF L-COM, INC. IS PROHIBITED.

REVISIONS			
REV	DESCRIPTION	DATE	APPROVED
A	INITIAL RELEASE	4/26/11	D.GRIFFIN

WIRE MAP	
HD15	TERMINAL BLOCK
1	1
2	2
3	3
4	4
5	5
6	6
7	7
8	8
9	9
10	10
11	11
12	12
13	13
14	14
15	15
SHELL	GND



RECOMMENDED PANEL OPENING  
(MAX PANEL THICKNESS: 0.06")

**RoHS Compliant** ✓

- NOTES:**
- VOLTAGE RATING: 1000V AC & 500V DC
  - COMPONENT SHALL BE TESTED FOR CONTINUITY.
  - COMPONENT SHALL BE INDIVIDUALLY PACKAGED IN ACCORDANCE WITH L-COM SPEC. PS-0031.

UNLESS OTHERWISE SPECIFIED, DIMENSIONS ARE IN INCHES [mm] OVERALL CABLE LENGTH TOLERANCE: <math>\leq 12 [305]</math> = +1 [25] / -0 <math>> 12 [305] \leq 60 [1524]</math> = +2 [51] / -0 <math>> 60 [1524] \leq 120 [3048]</math> = +4 [102] / -0 <math>> 120 [3048] \leq 300 [7620]</math> = +6 [152] / -0 <math>> 300 [7620]</math> = +3% / -0%	APPROVALS	DATE		45 BEECHWOOD DRIVE NORTH ANDOVER, MA 01845
	DRAWN BY D. CASTRO	4/22/11		CATEGORY
ALL OTHER DIMENSIONAL TOLERANCES: .X = ±.2 .XX = ±.02 .XXX = ±.005	CHECKED BY D. PARHAM	4/22/11	PRODUCT DESCRIPTION	CONN, HB 15F FLD TERM SCREWLESS
PROJECTION 	APPROVED BY S. SMITH	4/25/11	CONFIGURATION DETAILS OF UNDIMENSIONED FEATURES MAY VARY	SIZE <b>A</b> FSCM NO. <b>43321</b> DWG. NO. <b>DGSH15FT</b> REV. <b>A</b>
	COLOR VARIATIONS MAY OCCUR		SCALE: NONE	CAD FILE: DGSH15FT.SLDDRW SHEET 1 OF 1

## X-ON Electronics

Largest Supplier of Electrical and Electronic Components

*Click to view similar products for [L-Com](#) manufacturer:*

Other Similar products are found below :

[AVG2-KVM](#) [DVIHDMF](#) [TSP4088C5](#) [CAUALB-3M](#) [CA-RSPNMA002](#) [HG913Y-NF](#) [CSMNB15MF-15](#) [CSMNB15MM-10](#)  
[TRD815RA2BLK-5](#) [TRD815RA2BL-5](#) [WJ670300](#) [CSM9MF-2.5](#) [CA3A-90DA-1M](#) [CA3A-90LA-05M](#) [CA3A-90LMICB-03M](#) [CA3A-90RMICB-03M](#) [U3A00003-03M](#) [CTLF3VGAMM-20](#) [HDCAMM-3](#) [U3A00013-105M](#) [TSP8048C5S-10PK](#) [CSMT15MM-25](#) [CSPL25MM-50](#) [CSPL9MF-10](#) [CSPL9MF-5](#) [CSPL25MF-5](#) [TRD855HFB-1M](#) [TRD855HFB-4M](#) [TRD855HFB-5M](#) [AL-IPEPS](#) [NB201611-10F-1](#) [NB121005-10F](#) [TRD855SRA6DBL-1M](#) [TRD855SRA7DBL-10M](#) [U2A00016-3M](#) [U2A00017-03M](#) [PR175SCDLCQ24](#) [U3A00089-2M](#) [TRA5261S-1F](#) [TRA6261-1F](#) [TRA6261-25F](#) [HG2415U-PRO-5PK](#) [USBBFT](#) [DGB25F](#) [CAUBLKAB-1M](#) [CASATAL-18](#) [CIB24-6M](#) [CA3A-90LMICB-1M](#) [U2A00001-5M](#) [U3A00008-1M](#)