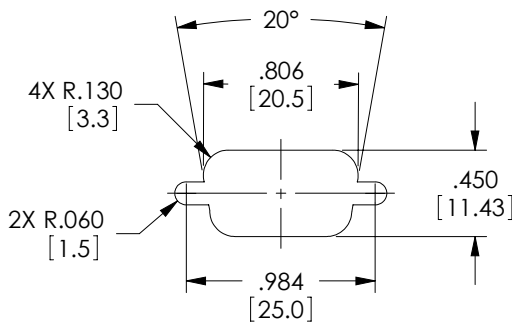
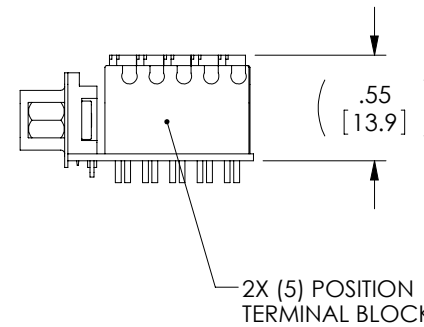
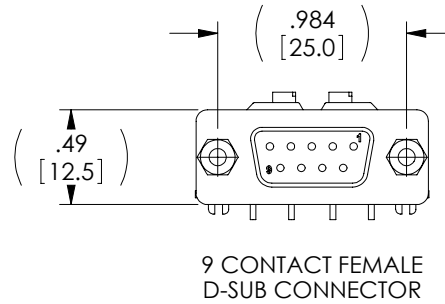
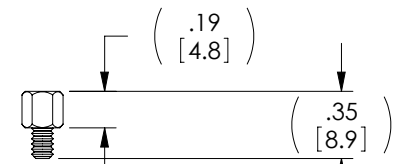
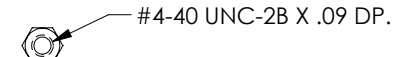
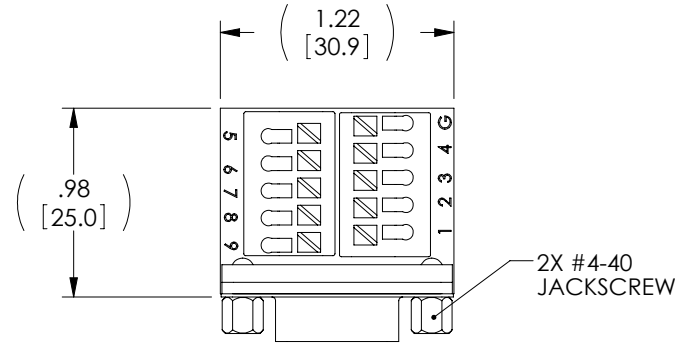


THE INFORMATION CONTAINED IN THIS DRAWING IS THE SOLE PROPERTY OF L-COM, INC. ANY REPRODUCTION IN PART OR WHOLE WITHOUT THE WRITTEN PERMISSION OF L-COM, INC. IS PROHIBITED.

REVISIONS			
REV	DESCRIPTION	DATE	APPROVED
A	INITIAL RELEASE	4/26/11	D.GRIFFIN

WIRE MAP	
DB9	TERMINAL BLOCK
1	1
2	2
3	3
4	4
5	5
6	6
7	7
8	8
9	9
SHELL	GND



RECOMMENDED PANEL OPENING
(MAX PANEL THICKNESS: 0.06")

NOTES:

- VOLTAGE RATING: 1000V AC & 500V DC
- COMPONENT SHALL BE TESTED FOR CONTINUITY.
- COMPONENT SHALL BE INDIVIDUALLY PACKAGED IN ACCORDANCE WITH L-COM SPEC. PS-0031.

RoHS Compliant ✓

UNLESS OTHERWISE SPECIFIED, DIMENSIONS ARE IN INCHES [mm] OVERALL CABLE LENGTH TOLERANCE: ≤12 [305] = +1 [25] / -0 >12 [305] ≤60 [1524] = +2 [51] / -0 >60 [1524] ≤120 [3048] = +4 [102] / -0 >120 [3048] ≤300 [7620] = +6 [152] / -0 >300 [7620] = +3% / -0%	APPROVALS	DATE	L-com Global Connectivity 45 BEECHWOOD DRIVE NORTH ANDOVER, MA 01845
	DRAWN BY D. CASTRO	4/21/11	
ALL OTHER DIMENSIONAL TOLERANCES: .X = ±.2 .XX = ±.02 .XXX = ±.005	CHECKED BY D. PARHAM	4/22/11	CATEGORY DATA
	APPROVED BY S. SMITH	4/25/11	PRODUCT DESCRIPTION CONN,DB9F FLD TERM SCREWLESS
PROJECTION 	CONFIGURATION DETAILS OF UNDIMENSIONED FEATURES MAY VARY	COLOR VARIATIONS MAY OCCUR	SIZE A FSCM NO. 43321 DWG. NO. DGS9FT REV. A
SCALE: NONE		CAD FILE: DGS9FT.SLDDRW	SHEET 1 OF 1

X-ON Electronics

Largest Supplier of Electrical and Electronic Components

Click to view similar products for [L-Com](#) manufacturer:

Other Similar products are found below :

[AVG2-KVM](#) [DVIHDMF](#) [TSP4088C5](#) [CAUALB-3M](#) [CA-RSPNMA002](#) [HG913Y-NF](#) [CSMNB15MF-15](#) [CSMNB15MM-10](#)
[TRD815RA2BLK-5](#) [TRD815RA2BL-5](#) [WJ670300](#) [CSM9MF-2.5](#) [CA3A-90DA-1M](#) [CA3A-90LA-05M](#) [CA3A-90LMICB-03M](#) [CA3A-90RMICB-03M](#) [U3A00003-03M](#) [CTLF3VGAMM-20](#) [HDCAMM-3](#) [U3A00013-105M](#) [TSP8048C5S-10PK](#) [CSMT15MM-25](#) [CSPL25MM-50](#) [CSPL9MF-10](#) [CSPL9MF-5](#) [CSPL25MF-5](#) [TRD855HFB-1M](#) [TRD855HFB-4M](#) [TRD855HFB-5M](#) [AL-IPEPS](#) [NB201611-10F-1](#) [NB121005-10F](#) [TRD855SRA6DBL-1M](#) [TRD855SRA7DBL-10M](#) [U2A00016-3M](#) [U2A00017-03M](#) [PR175SCDLCQ24](#) [U3A00089-2M](#) [TRA5261S-1F](#) [TRA6261-1F](#) [TRA6261-25F](#) [HG2415U-PRO-5PK](#) [USBBFT](#) [DGB25F](#) [CAUBLKAB-1M](#) [CASATAL-18](#) [CIB24-6M](#) [CA3A-90LMICB-1M](#) [U2A00001-5M](#) [U3A00008-1M](#)