

## Category 6A Shielded Keystone Panel Mount Coupler



### Category 6A Shielded Keystone Panel Mount Coupler (SGACK2Spmmc)

#### Features

- High performance data throughput Category 6A, ANSI/TIA/EIA-568-B.2-10 – can run 10GBASE-T at 100 metres
- Easily mounted into panels of virtually any thickness
- Die cast adaptor is robust and ensures easy mounting (into standard cut-out) and reliable earthing
- RJ45 complies with FCC part 68 standard
- Jack insertion life > 750 mating cycles
- Operating temperature: -40°C ~ +60°C

#### Packaging

- Supplied in individual polythene bags then in bags of 20

#### Specifications

- Materials

##### Coupler

Housing: Nickel plated zinc alloy

Contacts: 50µ"/1.27µm gold plated over nickel over phosphor bronze

Earthing lug material: Stainless steel SUS304

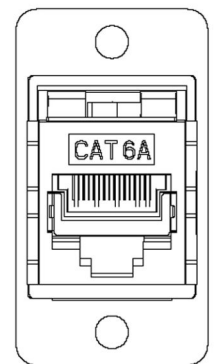
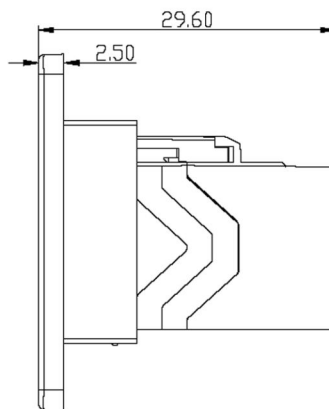
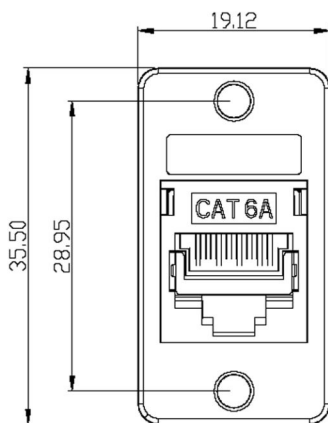
Panel mount adaptor: Zinc alloy

- Colour: Silver
- Dimensions: 35.5 x 19.12 x 29.6mm approx. (H x W x D)
- Assembled weight (without screws): 26g approx.
- Supplied with 2 pairs of screws
  - 2 x round head nickel-plated steel self-tapping screws
  - 2 x round head (4.40 x ¼") machine screws

For more detailed coupler specifications please see the webpage below:

[http://www.tuk.co.uk/tuk\\_live/product\\_details.php?category\\_id=&pld=150](http://www.tuk.co.uk/tuk_live/product_details.php?category_id=&pld=150)

ROHS Compliant

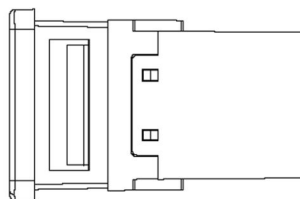


**ELECTRICAL**

Current rating: 1.5A  
Dielectric withstanding voltage: 1000VDC  
Insulation resistance: 500M $\Omega$  min.  
Contact resistance: 20m $\Omega$  max.

**MECHANICAL**

Materials: Zinc alloy  
Cosmetic: Nickel electroplating + sandblasting  
RJ45 jack contact: 50 $\mu$ "/1.27 $\mu$ m gold plated over nickel over phosphor bronze



## X-ON Electronics

Largest Supplier of Electrical and Electronic Components

*Click to view similar products for [Tuk](#) manufacturer:*

Other Similar products are found below :

[ADQ88](#) [KOLSMDX](#) [PXCAT6S8XL2](#) [SKH1](#) [PXSPDY6#100](#) [PSPDY5#100](#) [PXSPDY6#10](#) [SP5RD](#) [FTT](#) [SKFBKDPM](#) [SACK3S-24](#)  
[OT45BK](#) [SKFYW](#) [PSDL-6#20](#) [WJOL](#) [FJP2](#) [KH4](#) [KRCAWHBKDPM](#) [SPDL5BK](#) [TRCSPDY3](#) [PSDL-5#100](#) [SKFGN](#) [SP3RD](#) [SLJBKDPM](#)  
[SEKEIPM](#) [FJKPT](#) [KCUAA2BKDPM](#) [SP5GN](#) [MGOP6](#) [TPOET](#) [PXSPDY5#10](#) [WJSG](#) [SILWH](#) [SP3YW](#) [SACK2WHPM](#) [T2079](#)  
[FACK2BKDPM](#) [KOCSMDPM](#) [SP5YW](#) [SGPZ10BK](#) [ADF](#) [SEKEI-45WH](#) [TRCSPDYBP](#) [SP5GYB](#) [SKH4](#) [SGKH2](#) [SKFWHPM](#) [KOCSM](#)  
[SKH2](#) [SP10RD](#)