

## ACT20P ACT20P-AI-AO-DC-S

**Weidmüller Interface GmbH & Co. KG**  
 Klingenbergstraße 16  
 D-32758 Detmold  
 Germany  
 Fon: +49 5231 1429-0  
 Fax: +49 5231 14292083  
 www.weidmueller.com



### ACT20P: The flexible solution

- Precise and highly functional signal converters
- Simple configuration via display (Pro DCDC II), FDT/DTM software or DIP switch
- Release levers simplify handling
- More space in the control cabinet, from 12.5 mm wide for two channels

### General ordering data

Type	ACT20P-AI-AO-DC-S
Order No.	<a href="#">1477420000</a>
Version	ACT20P, Signal converter/insulator, Input, DC U/I signals, Screw connection
GTIN (EAN)	4050118284959
Qty.	1 pc(s).

**ACT20P**  
**ACT20P-AI-AO-DC-S**

**Weidmüller Interface GmbH & Co. KG**  
 Klingenbergstraße 16  
 D-32758 Detmold  
 Germany  
 Fon: +49 5231 1429-0  
 Fax: +49 5231 14292083  
 www.weidmueller.com

**Technical data****Dimensions and weights**

Width	12.5 mm	Width (inches)	0.492 inch
Height	117.2 mm	Height (inches)	4.614 inch
Depth	113.7 mm	Depth (inches)	4.476 inch
Weight	80 g	Net weight	80 g

**Temperatures**

Humidity	10...90 % (no condensation)	Operating temperature	-20 °C...60 °C
Storage temperature	-25 °C...70 °C		

**Input**

Number of inputs	1	Sensor supply	24 V DC
Input voltage	configurable, 0...11 V (min. measurement range 2V)	Input resistance, voltage	≥ 1 MΩ
Input current	configurable, 0...22 mA (min. measurement range 4 mA)	Input resistance, current	100 Ω
Resolution	3.5 μA / 1.76 mV per bit		

**Output**

Number of outputs	1	Output voltage, note	adjustable, 0...11 V, min. output range 2V
Output current	adjustable, 0...22 mA, min. output range 4 mA	load impedance voltage	≥ 500 kΩ
load impedance current	≤ 1kΩ	Offset voltage	≤ 20 mV

**General data**

Configuration	DIP switch, Keys and LED display	Galvanic isolation	3-way isolator, between input/output/supply
Linearity	< ± 0.1 % of signal range, Typ. ± 0.05 % of signal range	Long-term drift	0.1 % / 10.000 h
Mounting rail	TS 35	Power consumption, typ.	3 W
Step response time	350 ms	Supply voltage	12...60 V DC
Temperature coefficient	< 0.05 % / °C		

**Insulation coordination**

EMC standards	IEC 61326-1	Galvanic isolation	3-way isolator, between input/output/supply
Impulse withstand voltage	4 kV (1.2/50 μs)	Insulation voltage Standards	2 kV inputs / outputs IEC 61326-1:2012, UL 61010-1:2012, 3rd Edition
Pollution severity	2		
Surge voltage category	III		

**Data sheet**

**ACT20P  
ACT20P-AI-AO-DC-S**

**Weidmüller Interface GmbH & Co. KG**  
 Klingenbergstraße 16  
 D-32758 Detmold  
 Germany  
 Fon: +49 5231 1429-0  
 Fax: +49 5231 14292083  
 www.weidmueller.com

**Technical data**

**Connection data**

Type of connection	Screw connection	Tightening torque, min.	0.4 Nm
Tightening torque, max.	0.6 Nm	Clamping range, rated connection	1.5 mm <sup>2</sup>
Clamping range, rated connection, min.	0.5 mm <sup>2</sup>	Clamping range, rated connection, max.	2.5 mm <sup>2</sup>
Wire connection cross section AWG, min.	AWG 30	Wire connection cross section AWG, max.	AWG 14

**Classifications**

ETIM 6.0	EC002653	eClass 6.2	27-21-01-20
eClass 9.1	27-21-01-20		

**Approvals**

Approvals



ROHS

Conform

**Downloads**

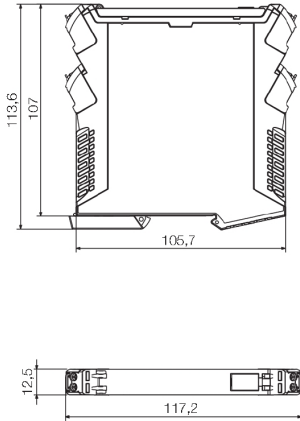
Approval/Certificate/Document of Conformity	<a href="#">Declaration of Conformity</a>
Brochure/Catalogue	<a href="#">CAT 4.1 ELECTR 16/17 EN</a>
User Documentation	<a href="#">Instruction sheet</a>

**Data sheet**

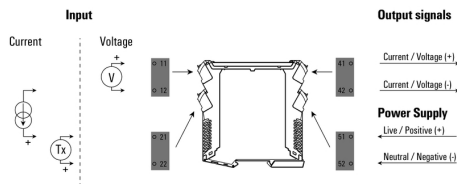
**ACT20P  
ACT20P-AI-AO-DC-S**

**Weidmüller Interface GmbH & Co. KG**  
 Klingenbergstraße 16  
 D-32758 Detmold  
 Germany  
 Fon: +49 5231 1429-0  
 Fax: +49 5231 14292083  
 www.weidmueller.com

**Drawings**



terminal coding



## X-ON Electronics

Largest Supplier of Electrical and Electronic Components

*Click to view similar products for [Weidmuller manufacturer](#):*

Other Similar products are found below :

[8924550000](#) [56956](#) [0133660000](#) [6720000227](#) [6720005111](#) [68676](#) [69718](#) [EXO24CH](#) [7940000218](#) [8005181001](#) [8008180000](#) [8432240000](#)  
[8463580000](#) [8545830000](#) [8689870000](#) [8705640000](#) [8869870000](#) [9001080000](#) [9001280000](#) [9004250000](#) [9004780000](#) [9014100000](#)  
[9018490000](#) [9019040000](#) [9026010000](#) [9028630000](#) [903708](#) [9037350000](#) [9046290000](#) [9046310000](#) [9046380000](#) [9046390000](#) [9129643500](#)  
[913155](#) [9159530000](#) [919656](#) [919764](#) [9202230000](#) [9456750000](#) [9457913000](#) [9512200000](#) [980811](#) [980826](#) [9912800003](#) [9916280012](#)  
[9918380000](#) [9919371205](#) [9919371224](#) [9925710000](#) [1166660000](#)