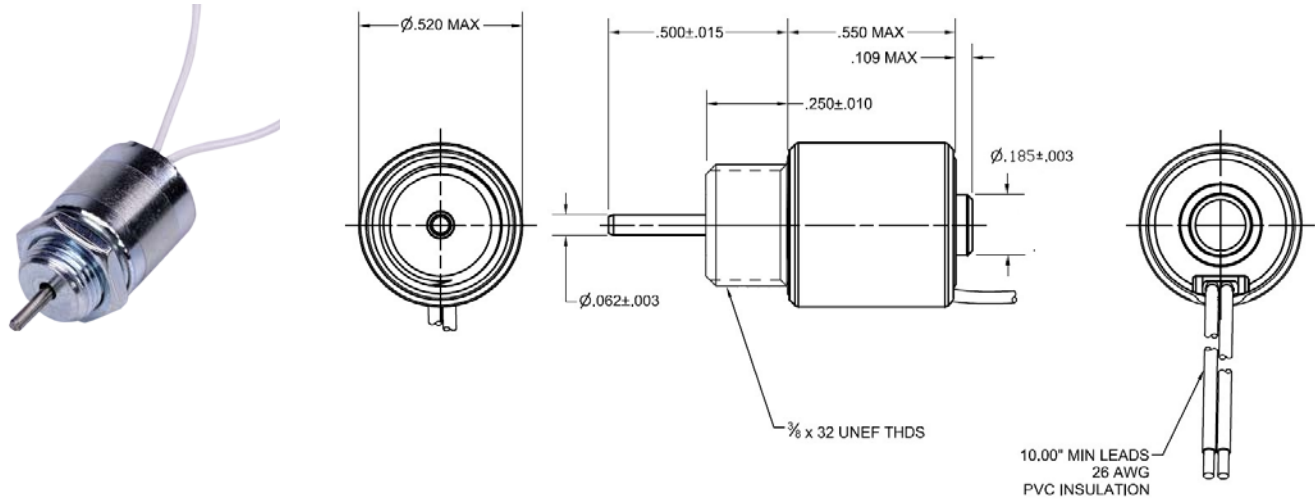


Model 50

STA[®] Push DC Tubular Solenoid

Size: ½" OD X ½" L

ALL PRODUCTS ARE RoHS COMPLIANT



Solenoid shown energized with
 Supplied with hex nut shipped loose
 Spring kits available (consult factory)

Part No.	Duty Cycle	Voltage	Resistance (Ω) ± 5%	Max On Time	Power (W)	Current (A)
195201-234	Intermittent	12 VDC	13.10	5 Secs	12	0.92
195201-237	Continuous	12 VDC	45.70	∞	3	0.26
195201-237	Intermittent	24 VDC	45.70	5 Secs	12	0.53
195201-240	Continuous	24 VDC	185.0	∞	3	0.13

Continuous Duty = 100% "On" Time
 Intermittent Duty = 25% "On" Time
 When ordering please refer to Part No. as listed above
 Please consult factory for custom configurations and other pole face angles

Stroke (in.)	Typical Push Force (oz.)								Holding Force (oz.)
	0.010	0.020	0.030	0.040	0.050	0.060	0.080	0.100	
Continuous Duty	6.3	4.2	3.0	2.3	1.8	1.4	0.9	0.6	---
Intermittent Duty	12.6	9.6	7.9	6.5	5.5	4.7	3.2	2.4	---

Additional Specifications:

Dielectric Strength: 500 VRMS
 Recommended Heat Sink: Maximum watts dissipated by solenoid are based on an unrestricted flow of air at 20°C, with solenoid mounted to the equivalent of an aluminum plate measuring 2" square by 1/8" thick.
 Total Unit Weight: 0.51 oz. / 14.5 g
 Plunger Weight: 0.04 oz. / 1.2 g



X-ON Electronics

Largest Supplier of Electrical and Electronic Components

Click to view similar products for [Ledex manufacturer](#):

Other Similar products are found below :

[195206-225](#) [123423-030](#) [123423-033](#) [195207-231](#) [B22-254-M-36](#) [152099-227](#) [190835-030](#) [2536-F-34](#) [174534-035](#) [174419-026](#) [195201-234](#)
[195191-031](#) [190834-029](#) [129415-029](#) [129415-026](#) [123422-028](#) [195205-227](#) [174419-023](#) [H-15021-028](#) [152099-226](#) [2006-F-34](#) [2537-F-34](#)
[C5-272-B-1](#) [195201-237](#) [129450-026](#) [1000-M-1](#) [2255-F-34](#) [129450-029](#) [2256-F-34](#) [152097-229](#) [1250-A-1](#) [3500-M-1](#) [C5-267-B-1](#) [152097-](#)
[230](#) [H-2268-031](#) [195202-237](#) [195200-237](#) [B14HD-254-B-4](#) [2005-F-34](#) [3000-M-1](#) [151082-234](#) [195200-234](#) [H-2414-029](#) [195205-230](#)
[B11HD-253-B-3](#) [810-282-330](#) [195202-231](#) [123421-033](#) [123421-036](#) [129409-031](#)