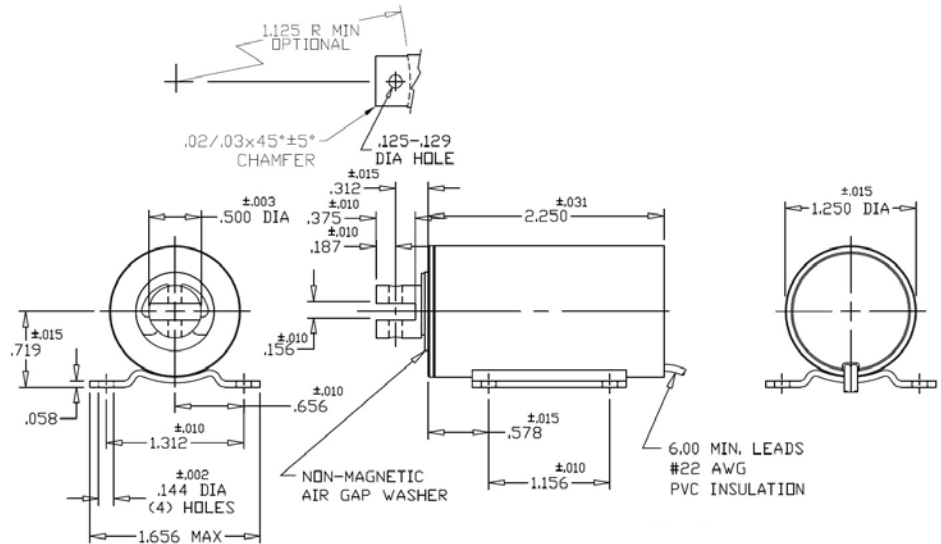


Model 125

Standard Pull DC Tubular Solenoid

Size: 1-1/4" OD X 2-1/4" L

ALL PRODUCTS ARE RoHS COMPLIANT



Solenoid shown energized with plunger fully seated
 Supplied with hex nut shipped loose
 Spring kits available (consult factory)

Part No.	Duty Cycle	Voltage	Resistance (Ω) ± 5%	Max On Time	Power (W)	Current (A)
174419-023	Intermittent	12 VDC	3.52	60 Secs	40.9	3.41
174419-026	Continuous	12 VDC	14.10	∞	10.2	0.85
174419-026	Intermittent	24 VDC	14.10	60 Secs	40.9	1.70
174419-029	Continuous	24 VDC	55.10	∞	10.5	0.44

Continuous Duty = 100% "On" Time
 Intermittent Duty = 25% "On" Time
 When ordering please refer to Part No. as listed above
 Please consult factory for custom configurations and other pole face angles

Stroke (in.)	Typical Pull Force (oz.)								Holding Force (oz.)
	0.060	0.125	0.250	0.375	0.500	0.625	0.750	1.000	
Continuous Duty	69.1	48.7	25.1	14.9	12.6	12.4	12.4	N/A	144.0
Intermittent Duty	119.4	97.4	69.1	51.1	40.1	35.4	33.0	N/A	N/A

Additional Specifications:

Dielectric Strength: 1000 VRMS

Recommended Heat Sink: Maximum watts dissipated by solenoid are based on an unrestricted flow of air at 20°C, with solenoid mounted to the equivalent of an aluminum plate measuring 5" square by 1/8" thick.

Total Unit Weight: 10.41 oz. / 295 g

Plunger Weight: 1.87 oz. / 53.2 g



X-ON Electronics

Largest Supplier of Electrical and Electronic Components

Click to view similar products for [Ledex manufacturer](#):

Other Similar products are found below :

[195206-225](#) [123423-030](#) [123423-033](#) [195207-231](#) [B22-254-M-36](#) [152099-227](#) [190835-030](#) [2536-F-34](#) [174534-035](#) [174419-026](#) [195201-234](#)
[195191-031](#) [190834-029](#) [129415-029](#) [129415-026](#) [123422-028](#) [195205-227](#) [174419-023](#) [H-15021-028](#) [152099-226](#) [2006-F-34](#) [2537-F-34](#)
[C5-272-B-1](#) [195201-237](#) [129450-026](#) [1000-M-1](#) [2255-F-34](#) [129450-029](#) [2256-F-34](#) [152097-229](#) [1250-A-1](#) [3500-M-1](#) [C5-267-B-1](#) [152097-](#)
[230](#) [H-2268-031](#) [195202-237](#) [195200-237](#) [B14HD-254-B-4](#) [2005-F-34](#) [3000-M-1](#) [151082-234](#) [195200-234](#) [H-2414-029](#) [195205-230](#)
[B11HD-253-B-3](#) [810-282-330](#) [195202-231](#) [123421-033](#) [123421-036](#) [129409-031](#)