

POET – Power Over Ethernet Tracker



POET – Power Over Ethernet Tracker (TPOET)

The *POET* is a Power over Ethernet tracker which has been designed to detect if an RJ45 outlet has PoE voltage. This is increasingly essential for installers who are unsure as to whether particular patch panel connections or outlets are PoE enabled.

Features

- Compact adaptor style tester
- Dual LED indicators located at the front of the housing for quick, easy identification of ethernet cables
- Short RJ45 lead provides easy connection into patch panels and outlets
- Detects if PoE is either Mid-span, End-span or 4 pair, by identifying the type of power source used
- Built in over-voltage protection
- Differentiates between IEEE802.3at/at and passive PoE

Specifications

- Dimensions: 185 x 24 x 24mm approx. (L x W x H)
- Weight: 19g
- Housing material: ABS plastic

- Colour:
Housing: Yellow Cable: Black

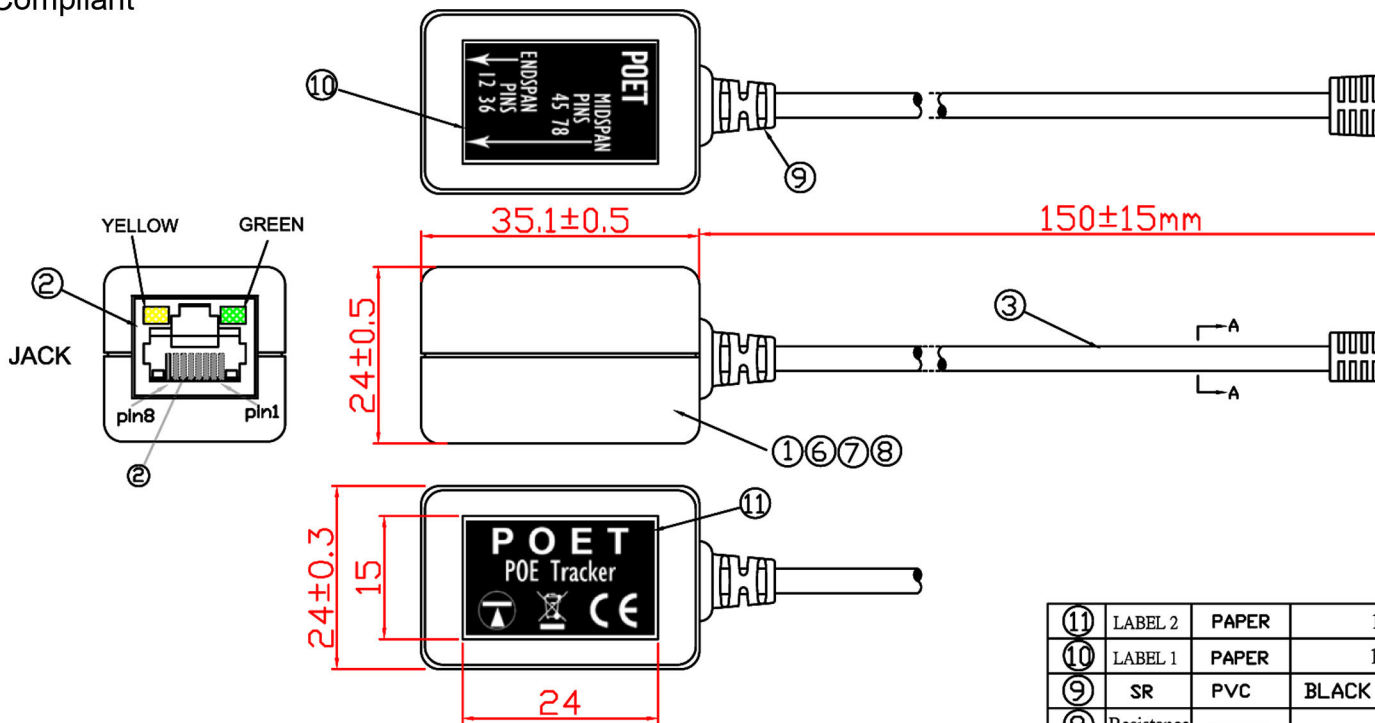
- Withstands voltage up to DC63V
- Power supply: passive
- LED indicator:
Yellow: end span POE (1/2, 3/6)
Green: mid span POE (4/5, 7/8)
Continuous: passive POE
Blinking: initiative POE

Packaging:

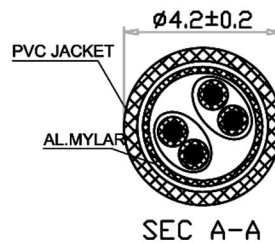
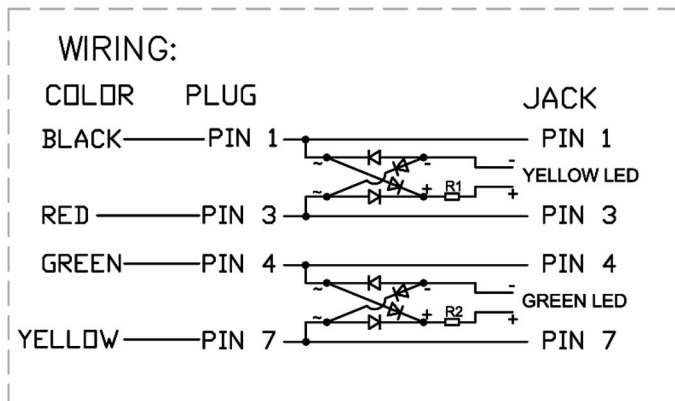
Packed in polybag and then in carton



ROHS Compliant



11	LABEL 2	PAPER	1
10	LABEL 1	PAPER	1
9	SR	PVC	BLACK
8	Resistance	—	
7	Bridge Rectifiers	—	
6	PCB	FR-4	18X
5	Insert	PE	1.34
4	PLUG	PC	8P8
3	CABLE	PVC/PP/Cu	2PAIRS 26
2	JACK	PBT	8P8C 6U
1	HOUSING	ABS	Co
NO	NAME	MATERIAL	SPE



X-ON Electronics

Largest Supplier of Electrical and Electronic Components

Click to view similar products for [Tuk manufacturer](#):

Other Similar products are found below :

[ADQ88](#) [KOLSMDX](#) [PXCAT6S8XL2](#) [SKH1](#) [PXSPDY6#100](#) [PSPDY5#100](#) [PXSPDY6#10](#) [SP5RD](#) [FTT](#) [SKFBKDPM](#) [SACK3S-24](#)
[OT45BK](#) [SKFYW](#) [PSDL-6#20](#) [WJOL](#) [FJP2](#) [KH4](#) [KRCAWHBKDPM](#) [SPDL5BK](#) [TRCSPDY3](#) [PSDL-5#100](#) [SKFGN](#) [SP3RD](#) [SLJBKDPM](#)
[SEKEIPM](#) [FJKPT](#) [KCUAA2BKDPM](#) [SP5GN](#) [MGOP6](#) [TPOET](#) [PXSPDY5#10](#) [WJSG](#) [SILWH](#) [SP3YW](#) [SACK2WHPM](#) [T2079](#)
[FACK2BKDPM](#) [KOCSMDPM](#) [SP5YW](#) [SGPZ10BK](#) [ADF](#) [SEKEI-45WH](#) [TRCSPDYBP](#) [SP5GYB](#) [SKH4](#) [SGKH2](#) [SKFWHPM](#) [KOCSM](#)
[SKH2](#) [SP10RD](#)